



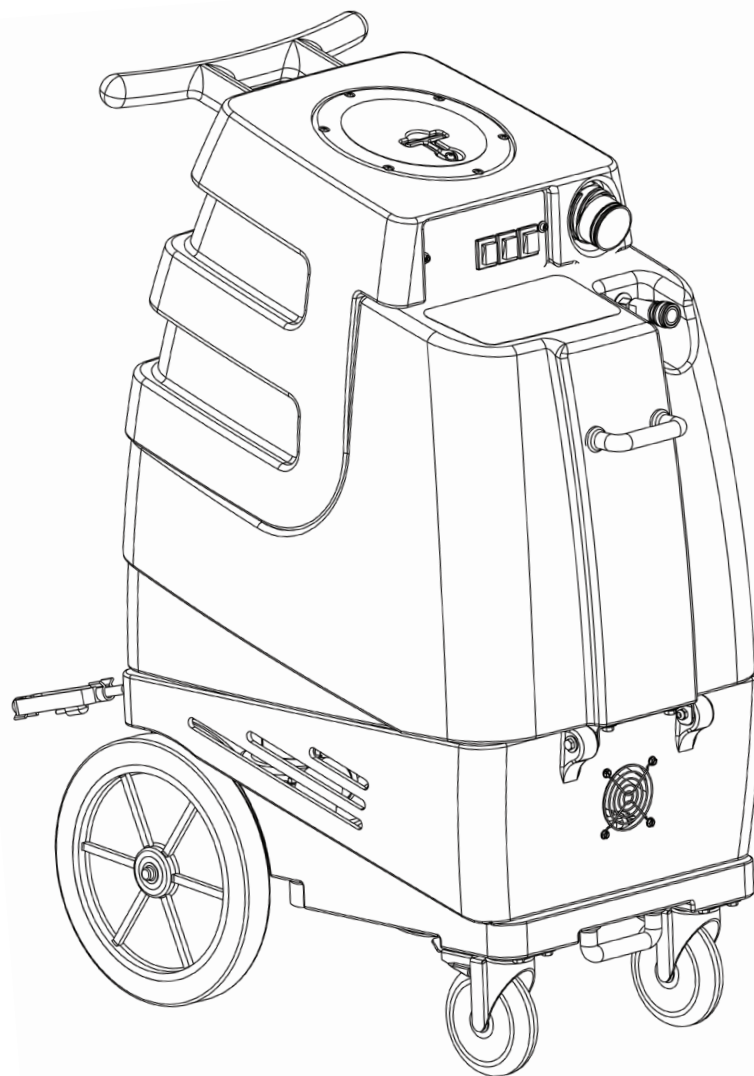
Instructions for 1000DX, 1000DX-200, 1001DX, 1001DX-200, 1003DX, 1005DX Speedster®



Please read before use.



Register your product
at www.mytee.com/help



1000DX & 1000DX-200 p.3
1001DX & 1001DX-200 p.9
1003DX p.15
1005DX p.21
General information p.27

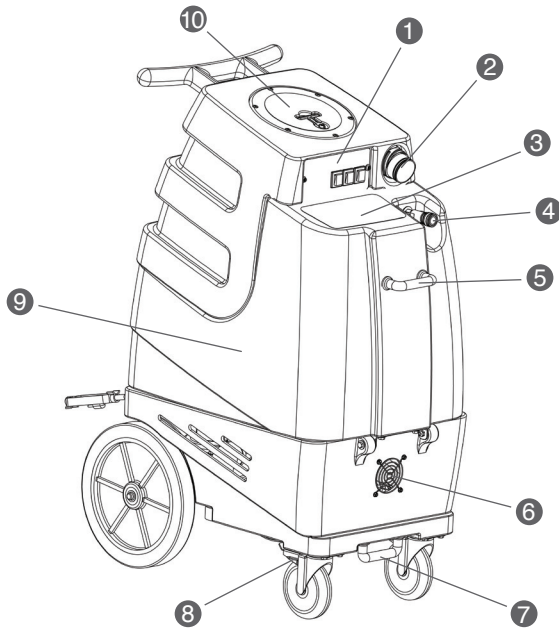
Model # _____

Serial # _____

Form # ADM-Speedster

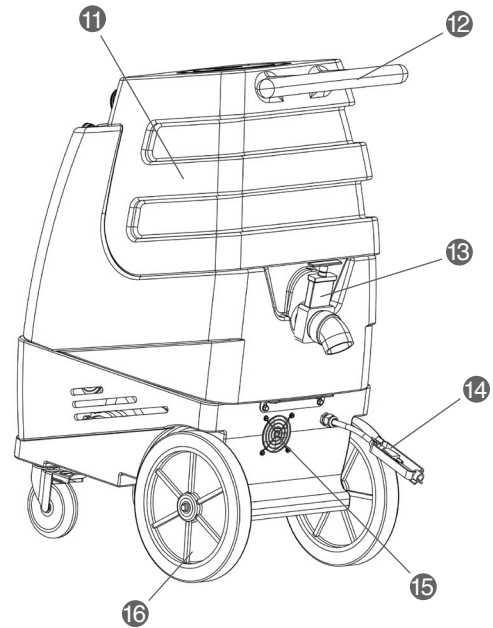
12-10

1000DX & 1000DX-200 SPEEDSTER® FRONT



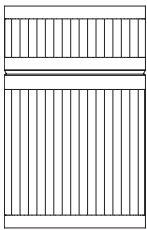
- | | |
|---------------------------------|-----------------------|
| 1. Switch plate | 6. Front vent |
| 2. 2" Male Cuff-Lynx™ | 7. Bottom handle |
| 3. Solution lid | 8. 5" locking casters |
| 4. Female quick disconnect (QD) | 9. Solution tank |
| 5. Front handle | 10. Recovery lid |

1000DX & 1000DX-200 SPEEDSTER® BACK

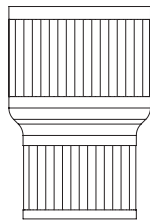


- | | |
|-------------------|---------------------|
| 11. Recovery tank | 15. Back vent |
| 12. Push handle | 16. 12" Rear wheels |
| 13. Drain valve | |
| 14. Power cord | |

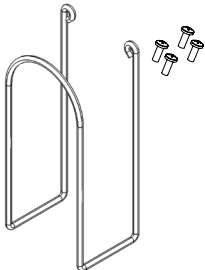
1000DX & 1000DX-200 SPEEDSTER® ITEMS INCLUDED



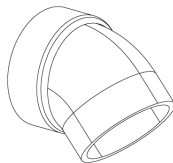
H110 Cuff-Lynx™
2" Hose Adapter



H141 Cuff-Lynx™
2" Hose Reducer to 1.5"

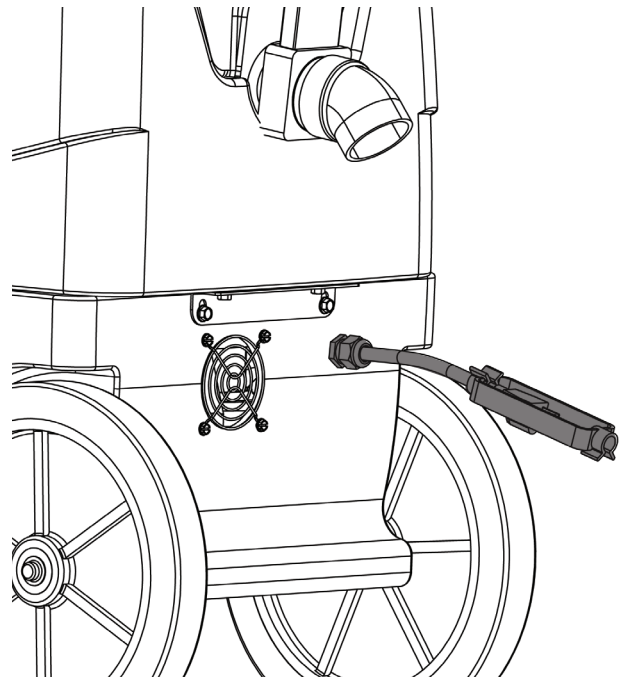


H375- Hose Hanger
(4) screws



H226 Drain Elbow

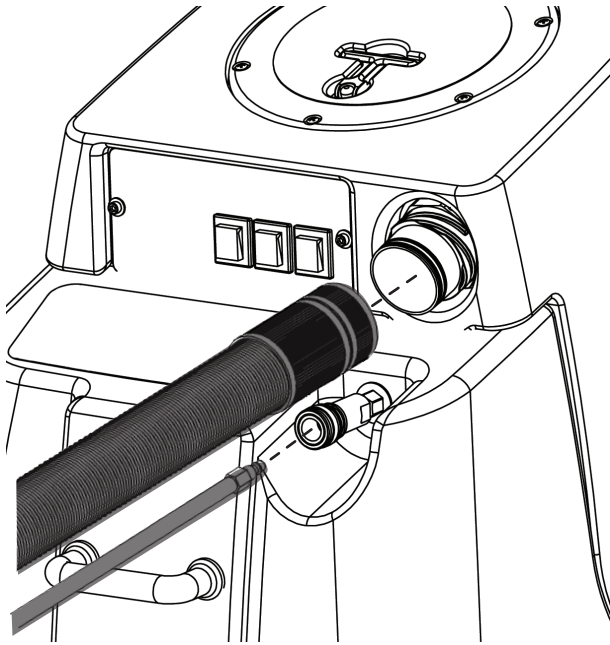
1000DX & 1000DX-200 SPEEDSTER® CORD



Plug the power cord into a single, 20A grounded wall outlet.

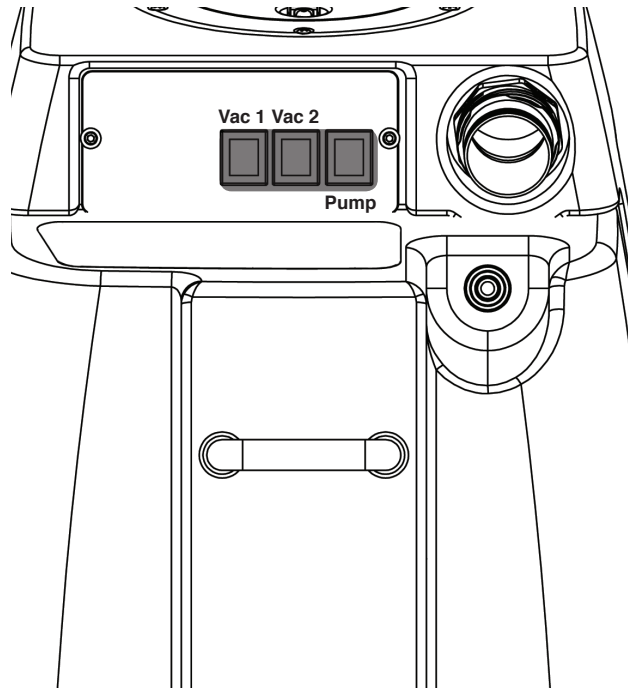
1000DX & 1000DX-200 SPEEDSTER

1000DX & 1000DX-200 SPEEDSTER® VAC/SOL HOSE CONNECTIONS



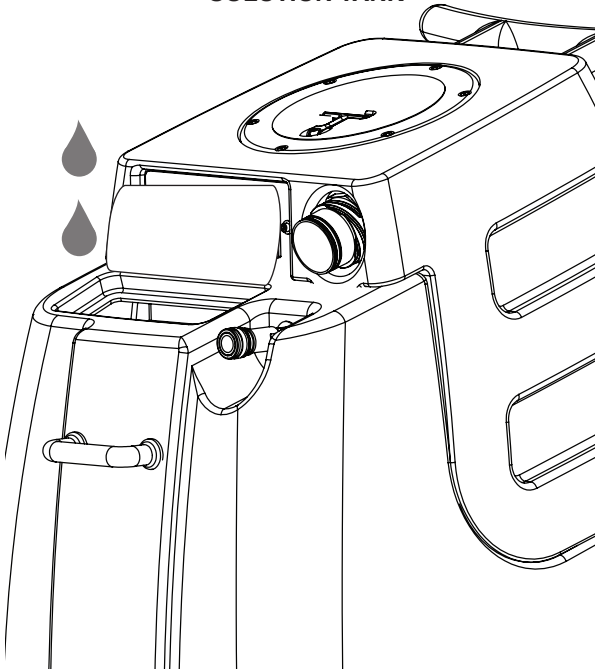
Attach one end of a solution hose to a wand or other tool, the other end to the Speedster's® front quick disconnect. Attach one end of a vacuum hose to the tool, the other end to the Speedster's® Cuff-Lynx™ vacuum hose port.

1000DX & 1000DX-200 SPEEDSTER® SWITCHES



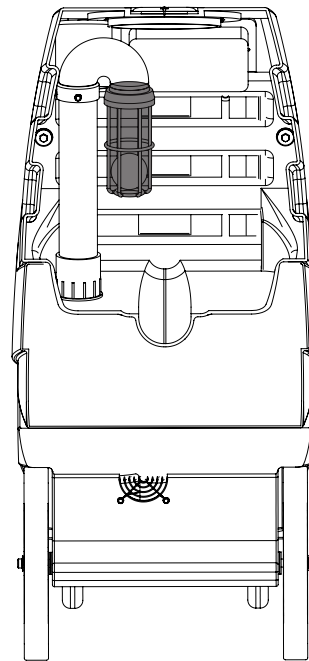
Turn on Vac 1, Vac 2 and Pump switches.

1000DX & 1000DX-200 SPEEDSTER® FILL SOLUTION TANK



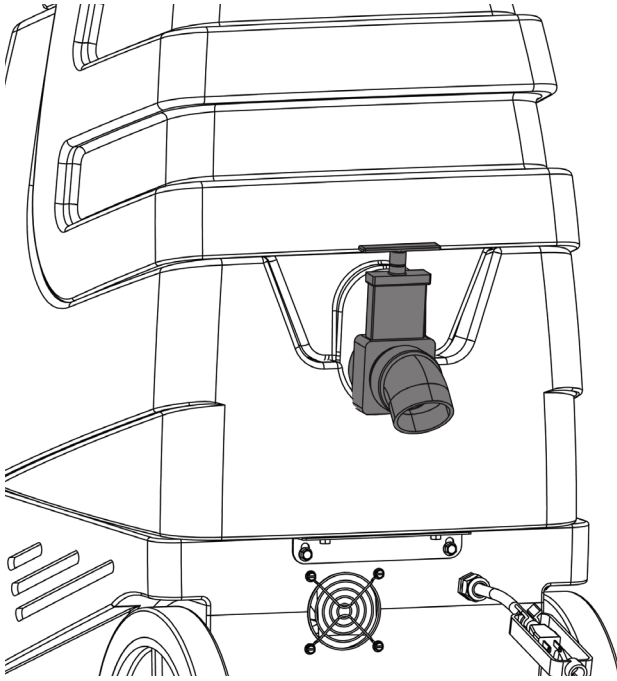
Lift lid and manually fill the tank.

1000DX & 1000DX-200 SPEEDSTER® BALL FLOAT



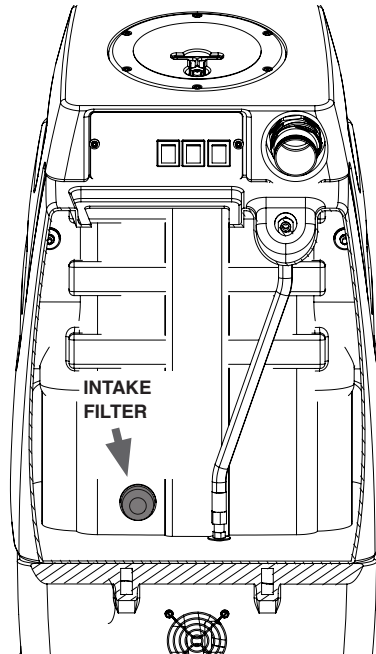
An internal ball float automatically turns off the machine's vacuum when the water in the solution tank reaches its maximum level. Empty the recovery tank as needed using the rear drain valve.

1000DX & 1000DX-200 SPEEDSTER® DUMP VALVE



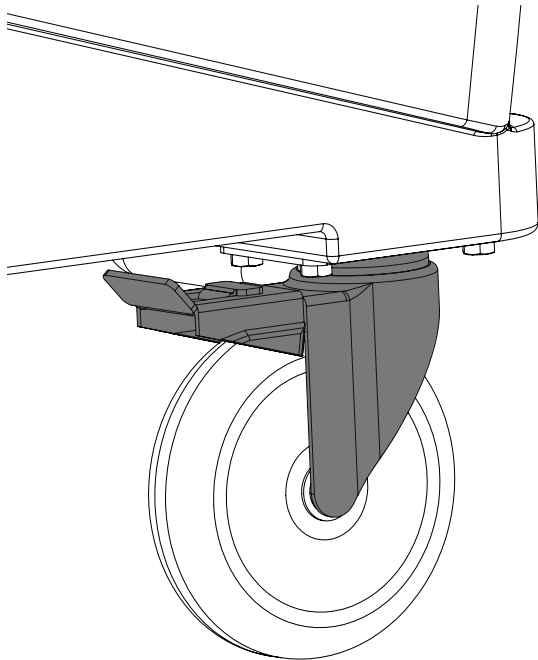
Attach the 45° drain elbow to the drain spout in back. Lift up the dump valve and empty the tank.

1000DX & 1000DX-200 SPEEDSTER® FILTER MAINTENANCE



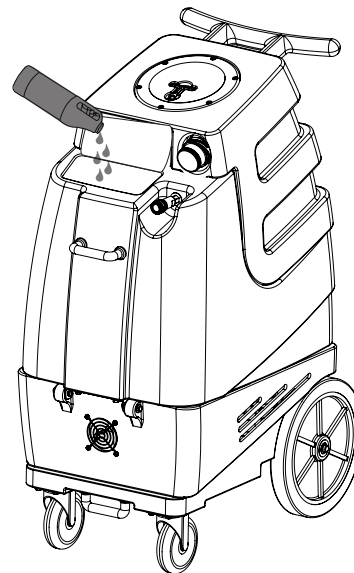
Check and clean solution tank filter daily by twisting off, rinsing with clean water and replacing.

1000DX & 1000DX-200 SPEEDSTER® LOCKING CASTERS



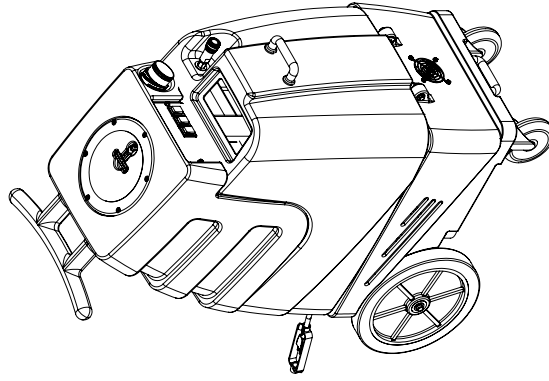
Locking casters help keep the machine remain stationary during use.

MYTEE® SYSTEM MAINTAINER



Weekly flushing of the solution system with Mytee® System Maintainer helps keep lines clean and prevents chemical build-up, improving pump life, performance and pressure.

1000DX & 1000DX-200 SPEEDSTER



ITEM NO.	PART NO.	DESCRIPTION	QTY.	MSRP
1	H343	screw, #10 x 5/8" hex head, zinc	8	\$0.99 ea
2	H296	guard, cooling fan, wire	2	\$2.99 ea
3	H170	bolt, 1/4-20 x 1/2" serrated hex flange, zinc	10	\$0.99 ea
4	H211	washer, 1/4" id x 1" od, flat, s/s	8	\$0.99 ea
5	H465	handle, breeze and dx	2	\$6.99 ea
6	H210	washer, 1/4" flat, s/s	19	\$0.99 ea
7	H342	bolt, 1/4-20 x 1" hex head, s/s	8	\$0.99 ea
8	H666	caster, 5"	2	\$23.19 ea
9	H216	nut, lock, 1/4-20 nylon insert	13	\$0.99 ea
10	P731	base, speedster	1	\$141.99 ea
11	H254	washer, axle, cut 1/2" id	4	\$0.99 ea
12	H251	wheel, 12"	2	\$41.99 ea
13	H219	cap, axle, 1/2"	2	\$0.99 ea
14	H371	axle, 18.25" x .50" dia	1	\$9.99 ea
15	H221	nut, lock, 1/2" steel	1	\$1.99 ea
16	G131	connector, cord lock	1	\$4.99 ea
17	E550	power cord, pigtail, 30', 12/3, black	1	\$11.49 ea
18	H220	fitting, strain relief, cord	1	\$3.19 ea
19	H201	bolt, 1/4-20 x 1/2", hex head, zinc	8	\$0.99 ea
20	H601	plate, manifold, parallel	1	\$13.49 ea
21	H768	bolt, 1/4-20 x 3/4" serrated hex flange, zinc	11	\$0.99 ea
22	P750	manifold, dual vac, parallel	1	\$15.99 ea
23	G004	gasket, vacuum motor	2	\$8.99 ea
24	H500	vac support, 2 stage, 3-1/8"	6	\$3.99 ea
25	C310	vac motor, 2 stage high performance	2	\$103.99 ea
26	G059	exhaust boot, plastisol	2	\$4.99 ea
27	PH628-24	vac hose, 2", wire reinforced	1	\$8.99/ft
28	H544	cuff hose, 2" x 2", wire reinforced	1	\$12.49 ea
29	H217	clamp, hose, 2-1/4" dia	3	\$1.49 ea
30	B172	elbow, brass, 90 deg, 1/2" barb x 3/8" mpt	1	\$9.49 ea
31	H273	nut, kep, #10-32 zinc	4	\$0.99 ea
32	PH615-26	sol hose, 1/2" kurl 100psi	1	\$8.99/ft
33	H347	clamp, hose, 5/16-29/32	4	\$1.99 ea
34	B160	adapter, brass, 1/2" barb x 3/8" fw, ball end	1	\$3.49 ea
35	H299	washer, 11/16" id x 1-1/2" od x .075, s/s	5	\$0.99 ea
36	B186	elbow, brass, 90 deg, 3/8" mpt x 3/8" fmp	1	\$8.99 ea
37	B103	elbow, brass, 90 deg, 1/4" mpt x 1/4" fpt	2	\$4.49 ea
38	B107	nipple, brass, 1/4"m, hex	1	\$3.19 ea
39	H212	washer, 9/16" id x 1" od, flat, s/s	4	\$0.99 ea
40	B136	elbow, brass, 90 deg, 1/4" mpt x 1/4" mpt	1	\$4.99 ea
41	B105	bushing, brass, 3/8" mpt x 1/4"	1	\$3.19 ea
42	H222	screw, #10-32 x 1-1/4" phil pan head, zinc	4	\$0.99 ea
43	C305	pump, 120psi, demand, 115V	1	\$151.99 ea
44	H912	bracket, rear, fb/spy	1	\$9.99 ea
45	H203	bolt, 1/4-20 x 1-1/4" hex head	2	\$0.99 ea
46	G052	washer, buna 1-1/8" od x 3/16" id	6	\$1.99 ea
47	H213	washer, 1/4" lock, s/s	4	\$0.99 ea
48	H215	nut, hex, 1/4-20 s/s	2	
49	P732	sol tank, speedster	1	
50	H413	washer, nylon, 9/16" id x 1-1/16" od x .031	2	
51	B111	adapter, brass, extender, 1/4" mpt x 1/4" fpt, hex	1	
52	B102	qd, brass, 1/4" f	1	
53	B106	nipple, brass, 1/4" x close	1	

1000DX-200

ITEM NO.	PART NO.	DESCRIPTION	QTY	MSRP
44	C322D	pump, 220psi, demand, 120V	1	\$208.99 ea

Items Not Shown

PART NO.	DESCRIPTION	QTY	MSRP
E530	power cord, ext, 50', 12/3, black	1	\$74.99
G010	filter, bag, vac tank, drawstiffing	1	\$9.99 ea
G085	gasket, strip, 3/4" x 36" x 1/8"	2	\$4.99 ea
H140	Cuff-Lynx, female swivel x female thread 2"	1	\$3.99 ea
H141	Cuff-Lynx, 2" to 1.5" reducer	1	\$3.99 ea
H375	hanger, wire formed, hose	1	\$10.99 ea

Order parts at: www.mytee.com/products/product.php?id=1000DX

Part prices are subject to change.

mytee PRODUCTS, INC.
888-675-1371

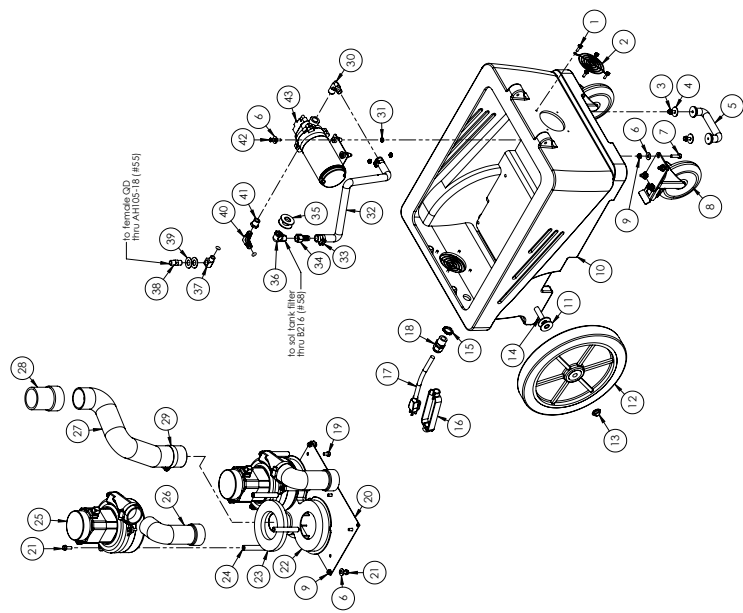
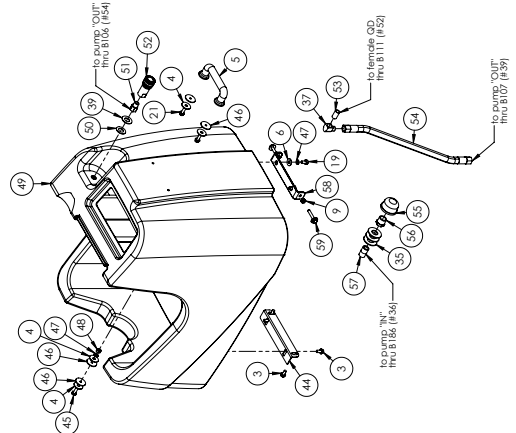
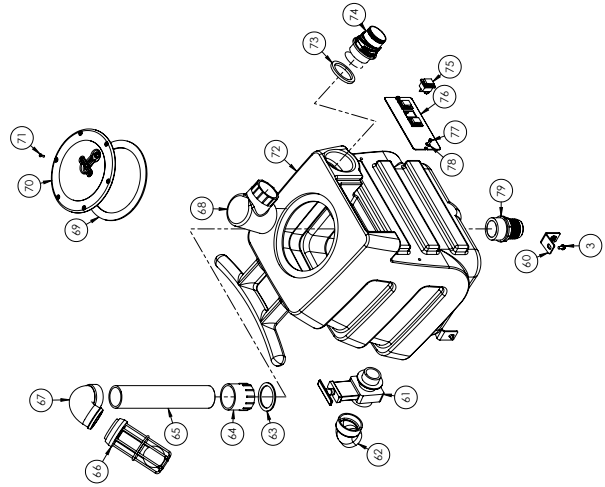
DATE: 8/12/10
NAME: J. Cobb
DRAWN BY: J. Cobb
CHECKED:

THESE PARTS/COMPONENTS ARE THE SOLE PROPERTY OF MYTEE PRODUCTS, INC. REPRODUCTION OF ANY WHOLE OR PART OF THIS DRAWING WITHOUT THE WRITTEN PERMISSION OF MYTEE PRODUCTS, INC. IS PROHIBITED.

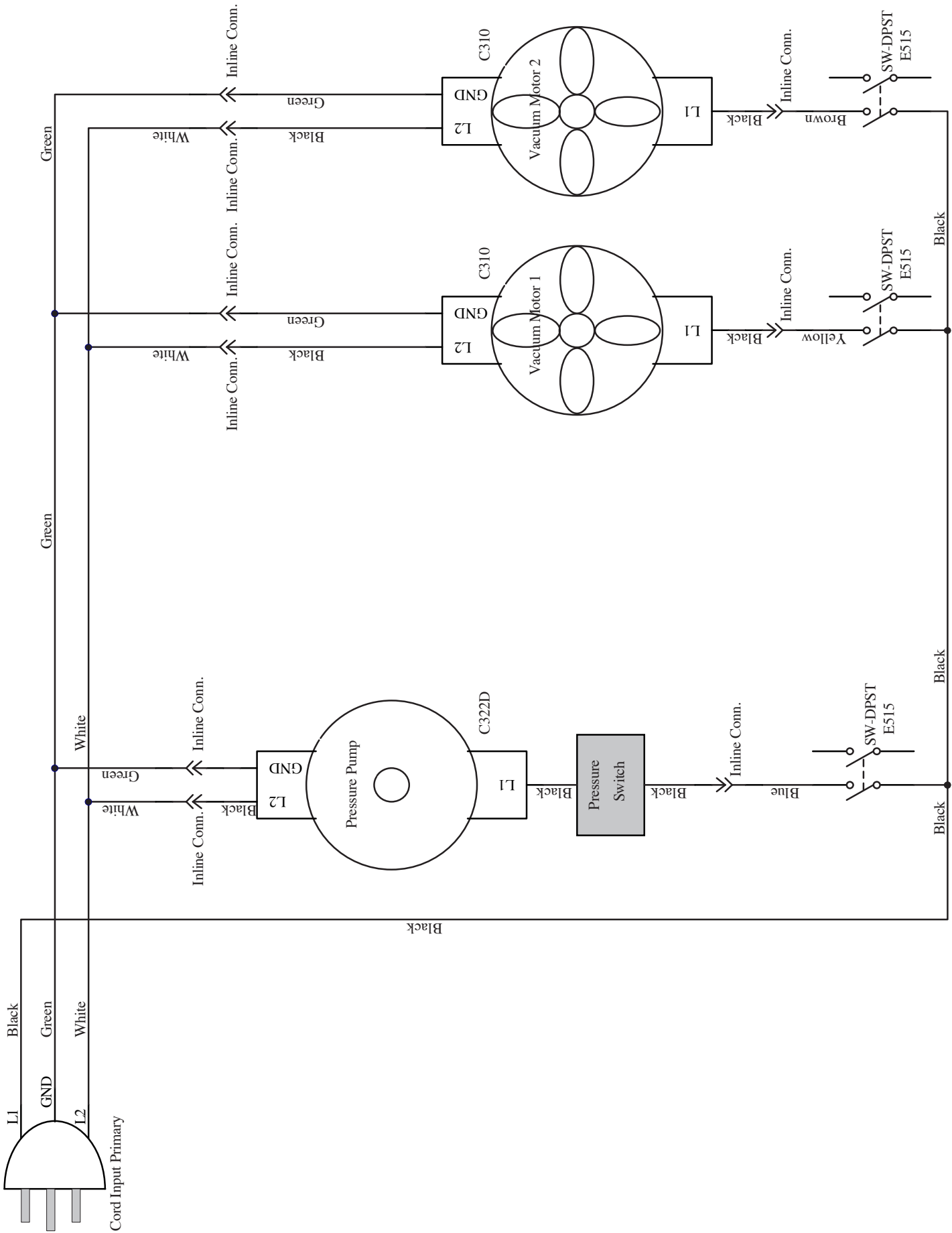
mytee speedster
SIZE: DWG. NO. C 1000DX
SCALE: 1:8
SHEET 1 OF 2

1000DX & 1000DX-200 SPEEDSTER

mytel	
NAME	DATE
10/10/10	
CHECKED	TITLE
	51
ENGINEER APPROVED FOR THE MANUFACTURE OF THIS DRAWING DATE: 10/10/10 DRAWING NO: 1000DX-200 SCALE: 1:1	



1000DX & 1000DX-200 SPEEDSTER



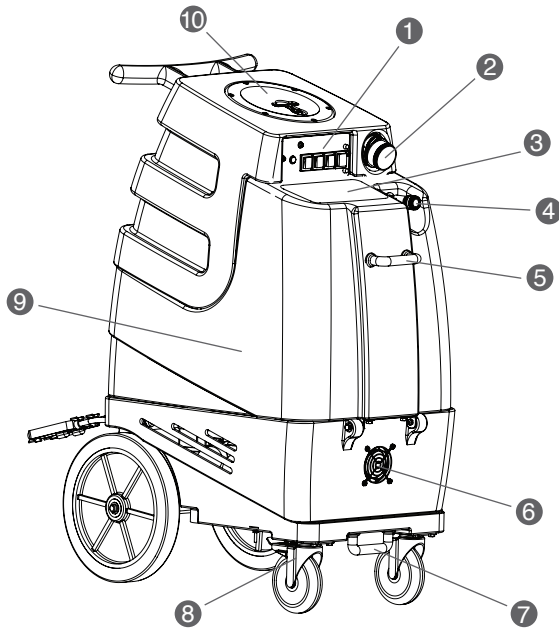
Title 1000DX

Mytee Products
13655 Stowe Dr.
Pony, CA
92064

Size: Letter	Number: 0000	Revision: A
Date: 11/30/2010	Time: 1:49:31 PM	Sheet 1 of 1
File: C:\Compaines\GHV\Projects\Mytee Schematics\1000DX\1000DX.SCHDOC		

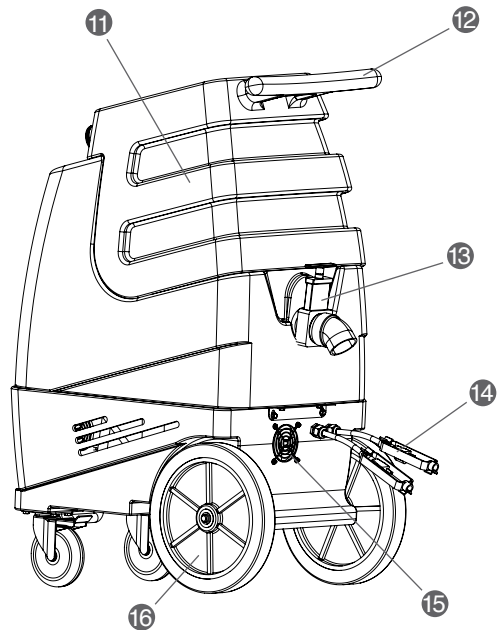


1001DX & 1001DX-200 SPEEDSTER® FRONT



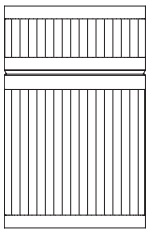
- | | |
|---------------------------------|-----------------------|
| 1. Switch plate | 6. Front cooling fan |
| 2. 2" Male Cuff-Lynx™ | 7. Bottom handle |
| 3. Solution lid | 8. 5" locking casters |
| 4. Female quick disconnect (QD) | 9. Solution tank |
| 5. Front handle | 10. Recovery lid |

1001DX & 1001DX-200 SPEEDSTER® BACK

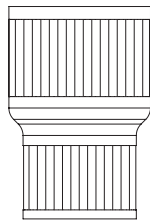


- | | |
|----------------------|---------------------|
| 11. Recovery tank | 15. Back vent |
| 12. Push handle | 16. 12" Rear wheels |
| 13. Drain valve | |
| 14. Dual power cords | |

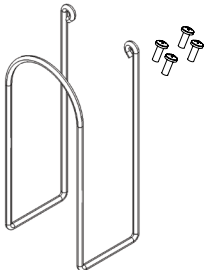
1001DX & 1001DX-200 SPEEDSTER® ITEMS INCLUDED



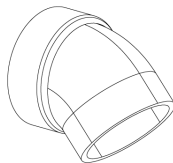
H110 Cuff-Lynx™
2" Hose Adapter



H141 Cuff-Lynx™
2" Hose Reducer to 1.5"



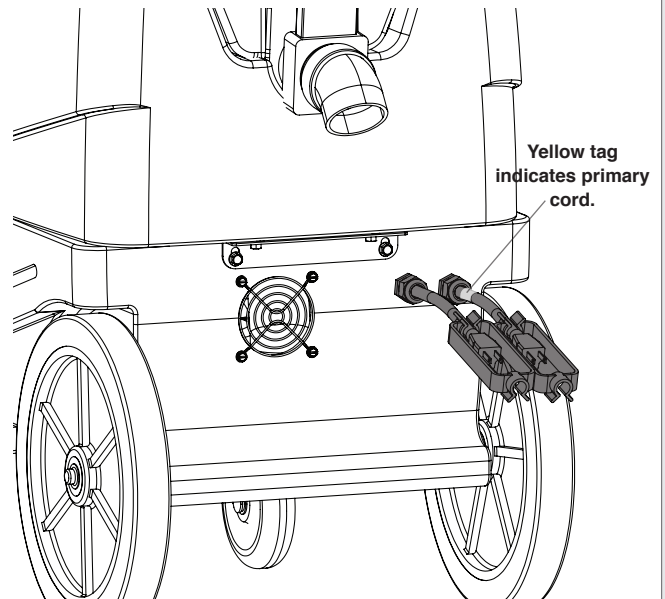
H375- Hose Hanger
(4) screws



H226 Drain Elbow

1001DX & 1001DX-200 SPEEDSTER® CORDS

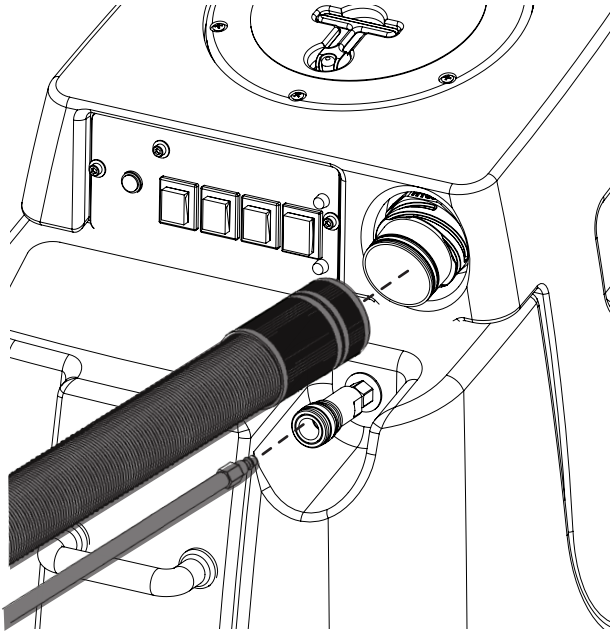
Left cord: Powers Vac 2 & Heater 2.
Right cord: Powers Vac 1, Heater 1 & Pump.



Plug each power cord into a separate, 20A grounded wall outlet. **Outlets must be on two separate breakers.** When the amber light on the switch plate illuminates, the machine is on separate circuits (not necessarily 20A circuits). You can identify the primary cord by the yellow tag.

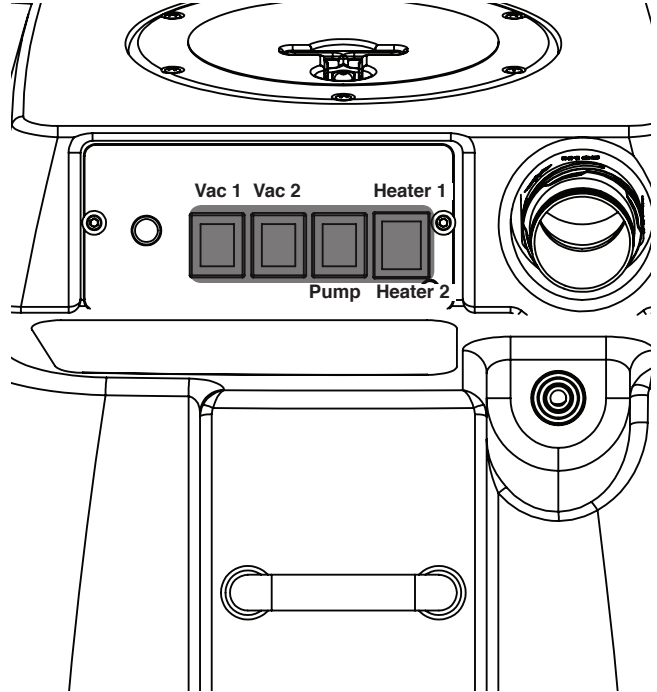
1001DX & 1001DX-200 SPEEDSTER

1001DX & 1001DX-200 SPEEDSTER® VAC/SOL HOSE CONNECTIONS



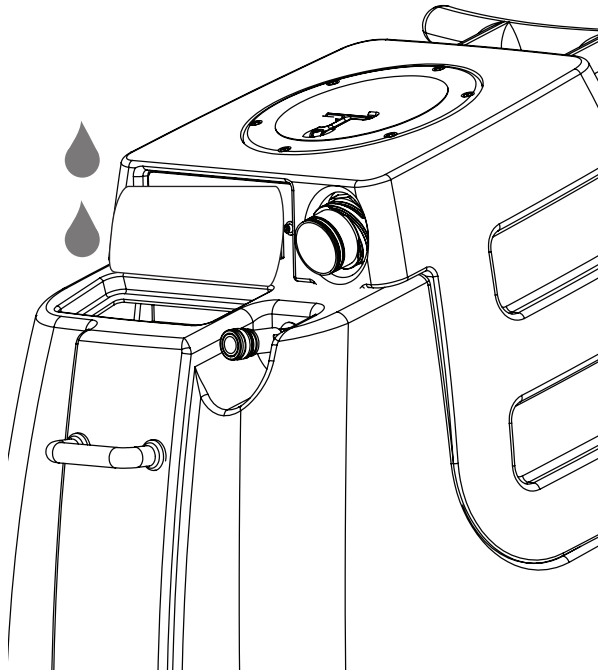
Attach one end of a solution hose to a wand or other tool, the other end to the Speedster's® front quick disconnect. Attach one end of a vacuum hose to the tool, the other end to the Speedster's® Cuff-Lynx™ vacuum hose port.

1001DX & 1001DX-200 SPEEDSTER® SWITCHES



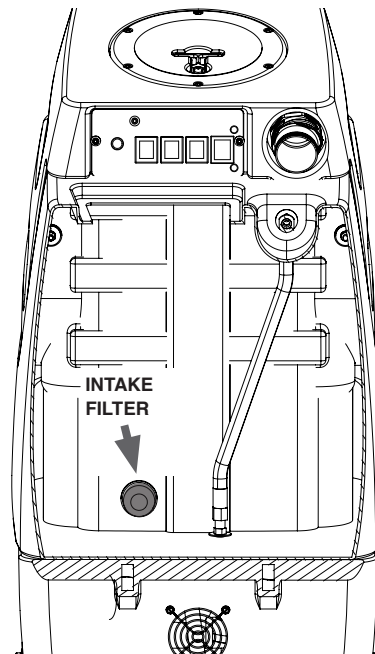
"On" switches are located on the plate in front of the machine. To use vacuums, turn on Vac 1 and Vac 2 switches. To use pump, turn on Pump switch. To activate heat, turn on Heater switch. Heater 1 for 1000 watts of heat. Heater 2 for 2000 watts of heat.

1001DX & 1001DX-200 SPEEDSTER® FILL SOLUTION TANK



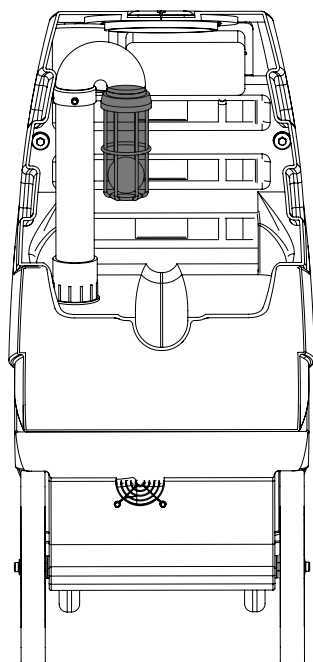
Lift lid and manually fill the tank.

1001DX & 1001DX-200 SPEEDSTER® FILTER MAINTENANCE



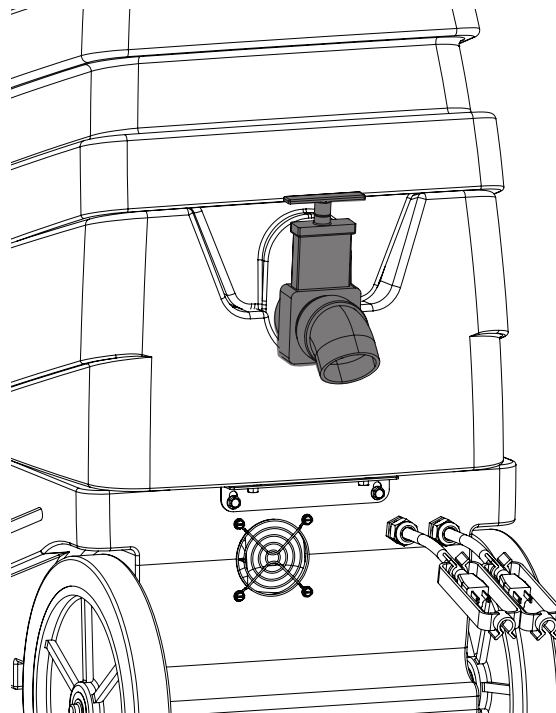
Check and clean solution tank filter daily by twisting off, rinsing with clean water and replacing.

1001DX & 1001DX-200 SPEEDSTER® BALL FLOAT



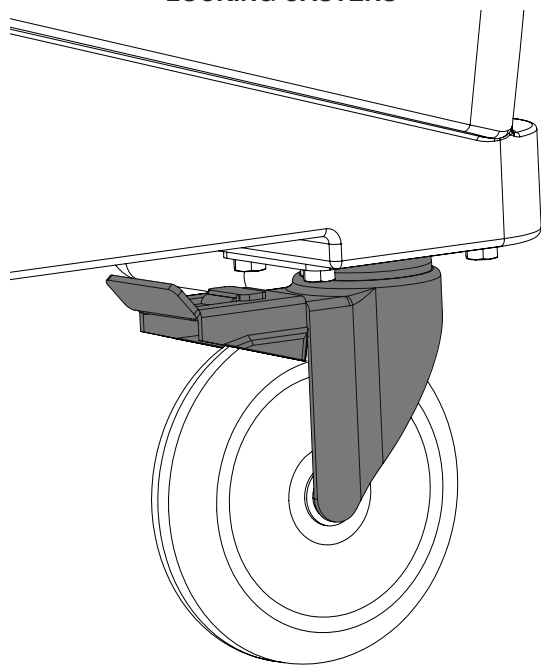
An internal ball float automatically turns off the machine's vacuum when the water in the solution tank reaches its maximum level. Empty the recovery tank as needed using the rear dump valve.

1001DX & 1001DX-200 SPEEDSTER® DUMP VALVE



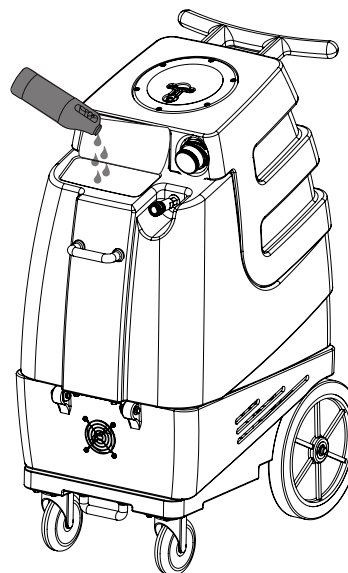
Attach the 45° drain elbow to the drain spout in back. Lift up the dump valve and empty the tank.

1001DX & 1001DX-200 SPEEDSTER® LOCKING CASTERS



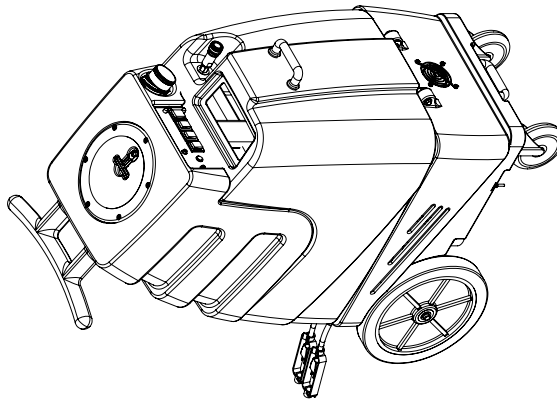
Locking casters help keep the machine remain stationary during use.

MYTEE® SYSTEM MAINTAINER



Weekly flushing of the solution system with Mytee® System Maintainer helps keep lines clean and prevents chemical build-up, improving pump life, performance and pressure.

1001DX & 1001DX-200 SPEEDSTER



NAME	DATE	mytee	PRODUCTS, INC.
DRAWN	9/24/2010	J. CARP	866.651.1111
CHECKED			
TITLE: speedster			
<small>PROVIDED AS CONFIDENTIAL. THE INFORMATION CONTAINED IN THIS DRAWING IS THE SOLE PROPERTY OF MYTEE PRODUCTS, INC. ANY REPRODUCTION IN PART OR AS A WHOLE WITHOUT THE WRITTEN PERMISSION OF MYTEE PRODUCTS, INC. IS PROHIBITED.</small>			
SCALE: 1:8	REV	C	1001DX
			SHEET 1 OF 2

ITEM NO.	PART NO.	DESCRIPTION	QTY.	MSRP
54	H912	bracket, rear, fb/spy	1	\$9.99 ea
55	H203	bolt, 1/4-20 x 1-1/4" hex head	2	\$0.99 ea
56	G052	washer, buna 1-1/8" od x 3/16" id	4	\$1.99 ea
57	H213	washer, 1/4" lock, s/s	6	\$0.99 ea
58	H215	nut, hex, 1/4-20 s/s	2	\$0.99 ea
59	P732	sol tank, speedster	1	\$141.99
60	H413	washer, nylon, 9/16id x 1-1/16od x .031	2	\$0.99 ea
61	B111	adaptor, brass, extender, 1/4" mpt x 1/4" fpt, hex	1	\$3.49 ea
62	B102	qd, brass, 1/4" f	1	\$17.99 ea
63	B107	nipple, brass, 1/4"m, hex	1	\$3.19 ea
64	B106	nipple, brass, 1/4" x close	1	\$3.49 ea
65	B119A	filter, strainer, 1/2"	1	\$6.49 ea
66	B210	bushing, brass, 1/2"mpt x 3/8" fpt, hex	1	\$2.49 ea
67	B216	nipple, brass, 3/8" x close	1	\$1.99 ea
68	H316	bolt, 1/4-20 x 1-1/2" hex head, s/s	2	\$0.99 ea
69	H378	bracket, front hinge, sp/fb	1	\$8.99 ea
70	H390A	bracket, "L" (all extractors)	2	\$6.99 ea
71	H225	valve, drain, 1-1/2"	1	\$20.99 ea
72	G002	gasket, cam fitting polyethylene, 2.35" OD 1.90" ID	1	\$6.49 ea
73	P684	adaptor, pvc 2, fmsl x fmt	1	\$6.99 ea
74	P682	pipe, pvc, 2"	1	\$7.99/ft
75	H490	float, 2", ball style	1	\$18.49 ea
76	P726	elbow, 2" float	1	\$11.49 ea
77	A926	elbow, inlet assembly 2"	1	\$15.99 ea
78	G091	gasket, 7", vac lid	1	\$11.99 ea
79	G090	lid, vac tank, black, 7"	1	\$36.99 ea
80	H304	screw, #8 x 5/8 phill oval, s/s	6	\$0.99 ea
81	P733	vac tank, speedster	1	\$190.99 ea
82	G083	gasket, 2" inlet	1	\$2.49 ea
83	H135	Cuff-Lynx, 2" m cuff x 2" mpt	1	\$3.99 ea
84	E511	light, red, 250v	2	\$5.99 ea
85	E516	switch, rocker, 3 position	1	\$14.99 ea
86	E515	switch, rocker, 2 position	3	\$13.99 ea
87	E512B	light, indicator, 125v (amber)	1	\$9.99 ea
88	H348	plate, switch, sp, 4 hole	1	\$6.99 ea
89	H389	screw, #10-32 x 1/2" SHCS, alloy	3	\$0.99 ea
90	H612	washer, #8 flat, s/s	3	\$0.99 ea
91	P685	inlet, 2"	1	\$10.99 ea

1001DX-200

ITEM NO.	PART NO.	DESCRIPTION	QTY	MSRP
58	C322D	pump, 220psi, demand, 120V	1	\$208.99 ea

Items Not Shown

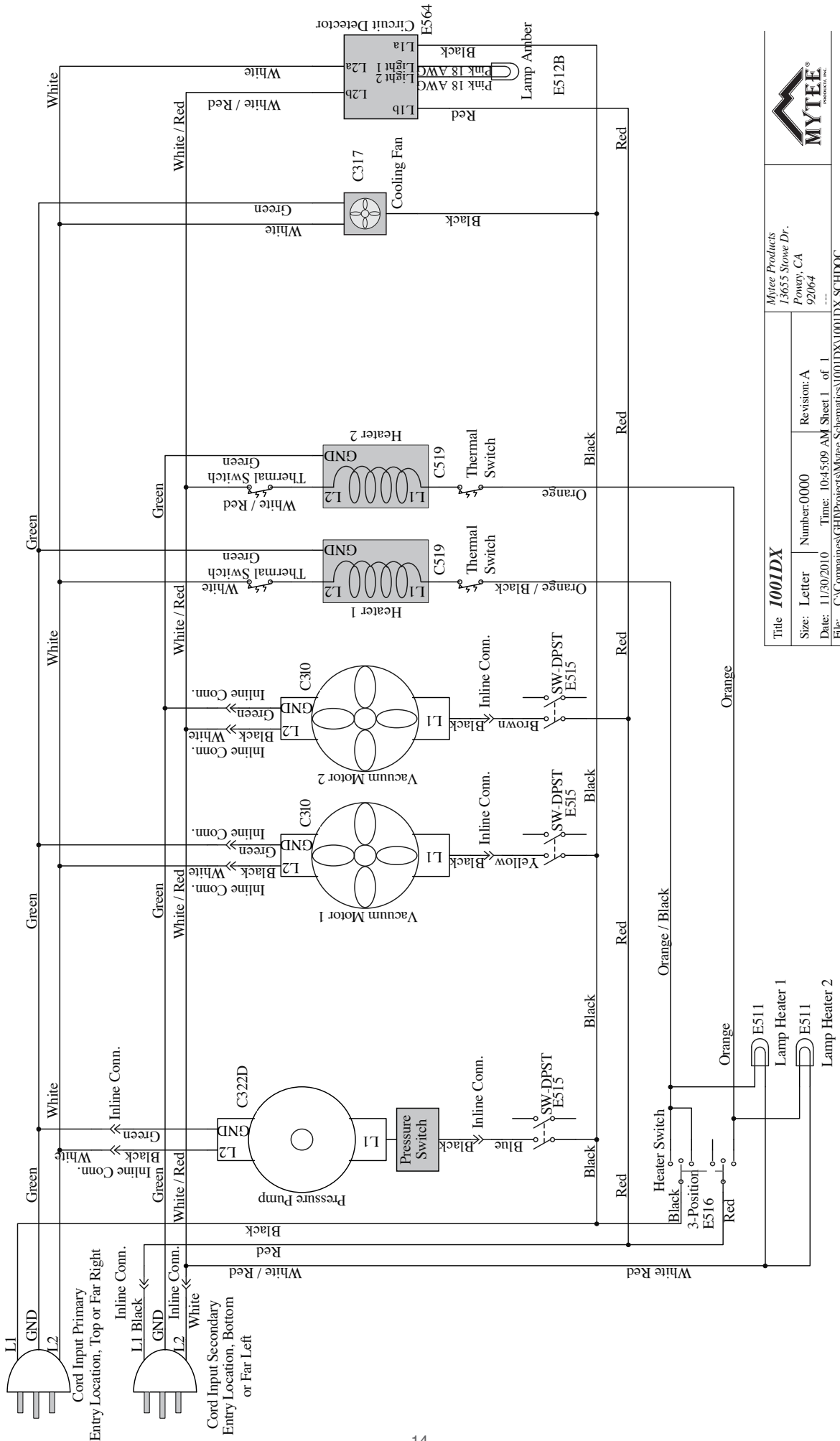
PART NO.	DESCRIPTION	QTY	MSRP
E530	power cord, ext, 50', 12/3, black	2	\$74.99 ea
G010	filter, bag, vac tank, drawstring	1	\$9.99 ea
G085	Gasket, stirp, 3/4" x 3/4" x 1/8"	2	\$4.99 ea
H140	Cuff-Lynx, female swivel x female thread 2"	1	\$3.99 ea
H141	Cuff-Lynx, 2" to 1.5" reducer	1	\$3.99 ea
H375	hanger, wire formed, hose	1	\$10.99 ea

ITEM NO.	PART NO.	DESCRIPTION	QTY.	MSRP
1	H343	screw, #10 x 5/8" hex head, zinc	12	\$0.99 ea
2	H296	guard, cooling fan, wire	3	\$2.99 ea
3	C317	fan, cooling, 115V	1	\$21.49 ea
4	H770	bolt, 1/4-20 x 1/2" serrated hex flange, zinc	10	\$0.99 ea
5	H211	washer, 1/4" id x 1" od, flat, s/s	8	\$0.99 ea
6	H485	handle, breeze and dk	2	\$6.99 ea
7	H210	washer, 1/4" flat, s/s	19	\$0.99 ea
8	H342	bolt, 1/4-20 x 1" hex head, s/s	8	\$0.99 ea
9	H666	caster, 5"	2	\$23.19 ea
10	H216	nut, lock, 1/4-20, nylon insert, s/s	13	\$0.99 ea
11	P731	base, speedster	1	\$141.99 ea
12	H254	washer, axle, cut 1/2" id	4	\$0.99 ea
13	H251	wheel, 12"	2	\$41.99 ea
14	H219	cap, axle, 1/2"	2	\$0.99 ea
15	H371	axle, 18.25" x .50" dia	1	\$9.99 ea
16	G131	connector, cord lock	2	\$4.99 ea
17	E550	power cord, pigtail, 30', 12/3, black	2	\$11.49 ea
18	H220	fitting, strain relief, cord	2	\$3.19 ea
19	H221	nut, lock, 1/2" steel	2	\$1.99 ea
20	AH105	hose, 3/8" x 17-1/2", (OAL), f	2	\$1.99 ea
21	AH156	hose, 3/8" x 6', (OAL), f, fsw, surge, 1600psi	2	\$23.99 ea
22	B103	elbow, brass, 90 deg, 1/4" mpt x 1/4" fpt	4	\$4.49 ea
23	H273	nut, kep, #10-32 zinc	6	\$0.99 ea
24	H222	screw, #10-32 x 1-1/4" phill pan head, zinc	6	\$0.99 ea
25	H528	bracket, heater mounting, dual	1	\$29.99 ea
26	H274	screw, 6 x 3/16, phill pan head, self tapping	10	\$0.99 ea
27	E519	heating rod, 1000W, 115V	2	\$51.99 ea
28	B142	coupling, brass, 1/4" fpt x 1/4" fpt	1	\$4.49 ea
29	B108	valve, brass, 1/4" check	1	\$13.99 ea
30	H903A	heater, aluminum cast, single	2	\$78.99 ea
31	E574	Thermostat, 310°F ± 10°F, Manual, 1/4"	2	\$17.99 ea
32	E573	Thermostat, 200°, Auto, 1/4"	2	\$16.49 ea
33	H212	washer, 9/16" id x 1" od, flat, s/s	4	\$0.99 ea
34	H601	plate, manifold, parallel	1	\$13.49 ea
35	H768	bolt, 1/4-20 x 3/4" serrated hex flange, zinc	11	\$0.99 ea
36	P750	manifold, dual vac, parallel	1	\$15.99 ea
37	G004	gasket, vacuum motor	2	\$8.99 ea
38	H500	vac support, 2 stage, 3-1/8"	6	\$3.99 ea
39	C310	vac motor, 2 stage high performance	2	\$103.99 ea
40	G059	exhaust boot, plastisol	2	\$4.99 ea
41	PH628-24	vac hose, 2", wire reinforced	1	\$8.99/ft
42	H544	cuff hose, 2 X 2, wire reinforced	1	\$12.49 ea
43	H217	clamp, hose, 2-1/4 dia	3	\$1.49 ea
44	H201	bolt, 1/4-20 x 1/2", hex head, zinc	8	\$0.99 ea
45	B172	elbow, brass, 90 deg, 1/2" barb x 3/8" mpt	1	\$9.49 ea
46	PH615-26	sol hose, 1/2" kurl 100psi	1	\$8.99/ft
47	H347	clamp, hose, 5/16-29/32	4	\$1.99 ea
48	B160	adaptor, brass, 1/2" barb x 3/8" fsw, ball end	1	\$3.49 ea
49	B186	elbow, brass, 90 deg, 3/8" mpt x 3/8" fmpf	1	\$8.99 ea
50	H299	washer, 1 1/16" id x 1 1/2" od x .075, s/s	5	\$0.99 ea
51	B136	elbow, brass, 90 deg, 1/4" mpt x 1/4" mpt	1	\$4.99 ea
52	B105	bushing, brass, 3/8" mpt x 1/4"	1	\$3.19 ea
53	C305	pump, 120psi, demand, 115V	1	\$151.99 ea

Order parts at: www.mytee.com/products/product.php?id=1001DX

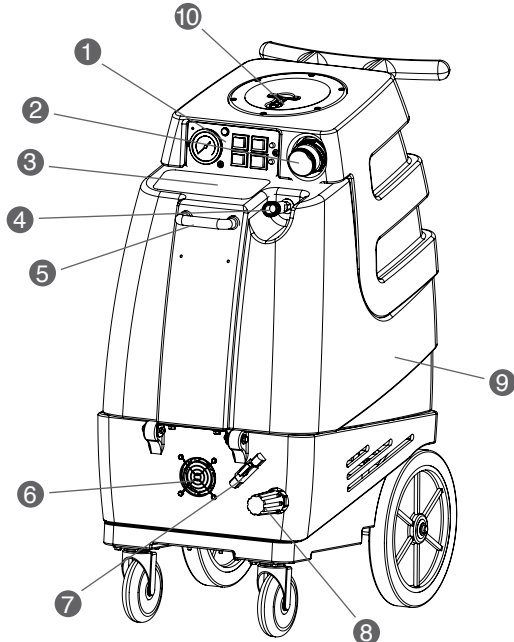
Part prices are subject to change.

1001DX & 1001DX-200 SPEEDSTER



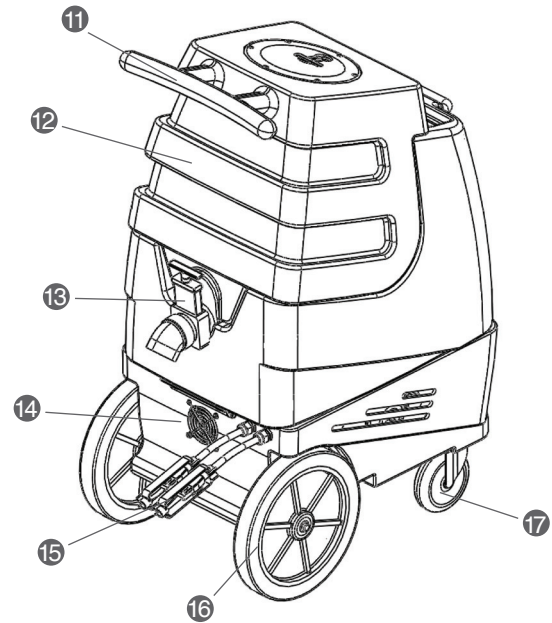
Mytee Products 13655 Stowe Dr. Pourey, CA 92064	
Title: 1001DX	Revision: A
Size: Letter	Number: 0000
Date: 11/30/2010	Time: 10:45:09 AM
Sheet 1 of 1	
File: C:\Companes\GHIP\Projects\Mytee Schematics\1001DX\1001DX.SCHDOC	

1003DX SPEEDSTER® FRONT



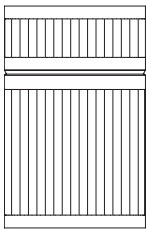
- | | |
|---------------------------------|-----------------------|
| 1. Switch plate | 6. Front cooling fan |
| 2. 2" Male Cuff-Lynx™ | 7. Prime Valve |
| 3. Solution lid | 8. Pressure Regulator |
| 4. Female quick disconnect (QD) | 9. Solution tank |
| 5. Front handle | 10. Recovery lid |

1003DX SPEEDSTER® BACK

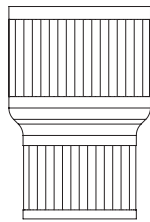


- | | |
|----------------------|------------------------|
| 11. Push handle | 16. 12" Rear wheels |
| 12. Recovery tank | 17. 5" locking casters |
| 13. Drain valve | |
| 14. Back vent | |
| 15. Dual Power cords | |

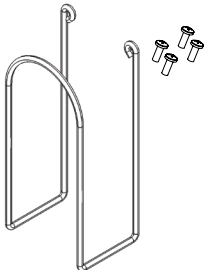
1003DX SPEEDSTER® ITEMS INCLUDED



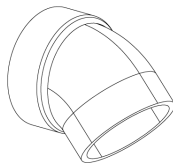
H110 Cuff-Lynx™
2" Hose Adapter



H141 Cuff-Lynx™
2" Hose Reducer to 1.5"



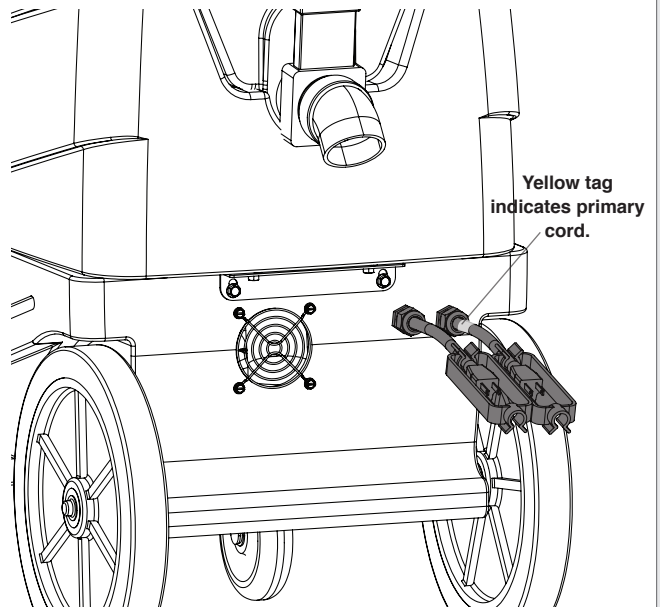
H375- Hose Hanger
(4) screws



H226 Drain Elbow

1003DX SPEEDSTER® CORD

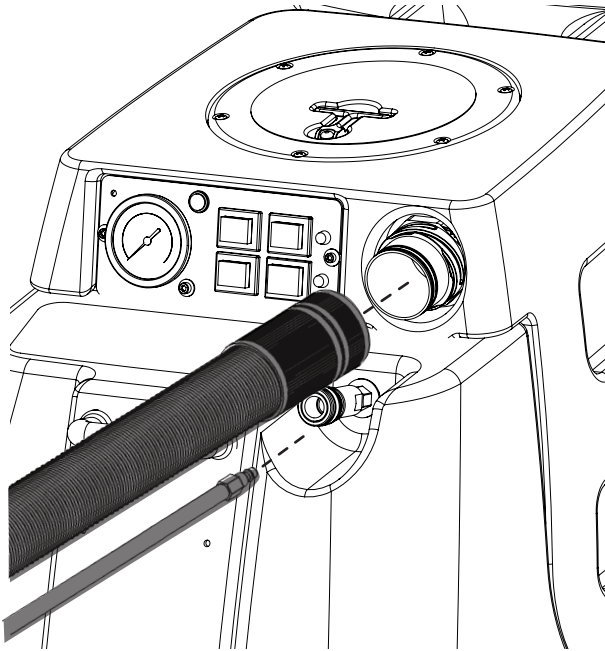
Left cord: Powers Vac 2 & Heater 2.
Right cord: Powers Vac 1, Heater 1 & Pump.



Plug each power cord into a separate, 20A grounded wall outlet. **Outlets must be on two separate breakers.** When the amber light on the switch plate illuminates, the machine is on separate circuits (not necessarily 20A circuits). You can identify the primary cord by the yellow tag.

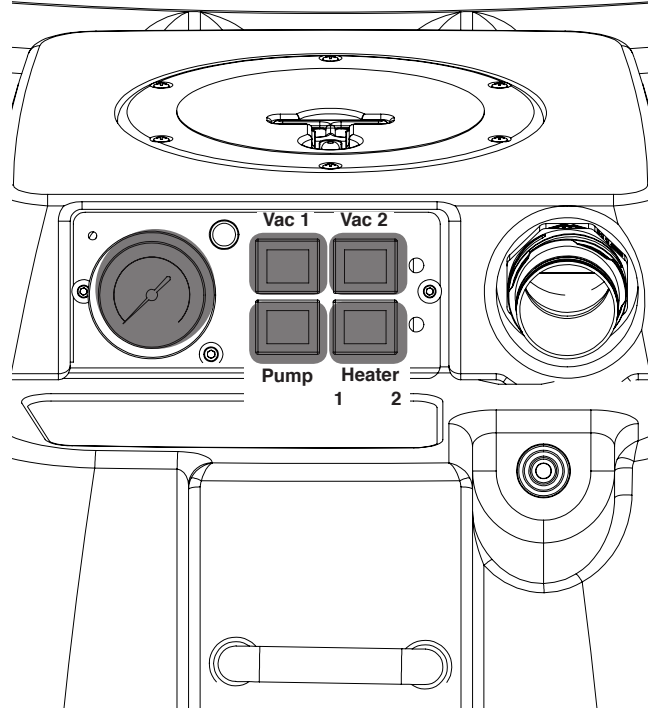
1003DX SPEEDSTER

1003DX SPEEDSTER® VAC/SOL HOSE CONNECTIONS



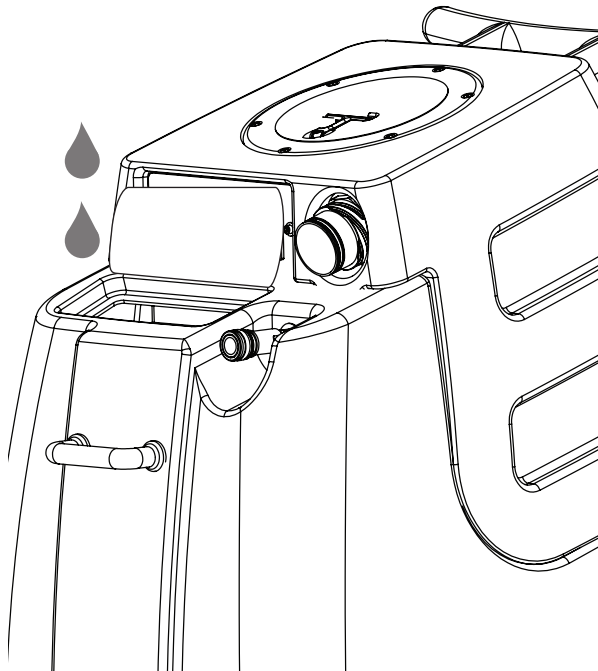
Attach one end of a solution hose to a wand or other tool, the other end to the Speedster's® front quick disconnect. Attach one end of a vacuum hose to the tool, the other end to the Speedster's® Cuff-Lynx™ vacuum hose port.

1003DX SPEEDSTER® SWITCHES



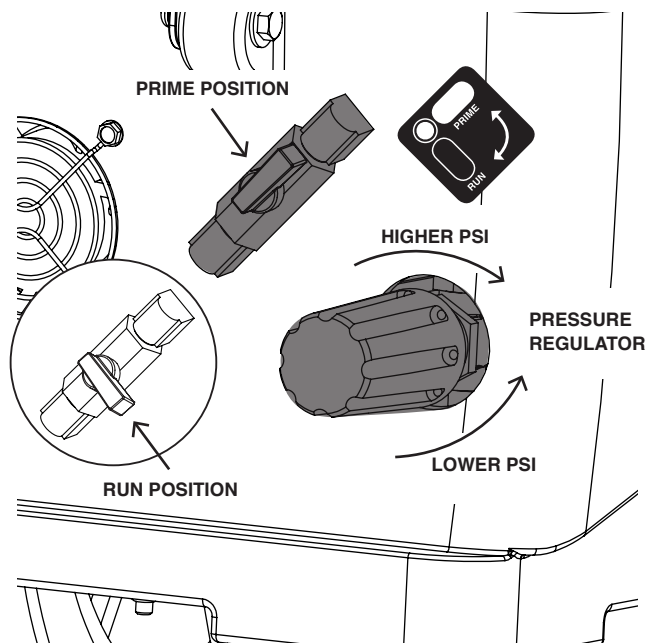
"On" switches are located on the plate in front of the machine. To use vacuums, turn on Vac 1 and Vac 2 switches. To use pump, turn on Pump switch. To activate heat, use lower right switch. Press to the left for 1,000 watts, press to the right for 2,000 watts.

1003DX SPEEDSTER® FILL SOLUTION TANK



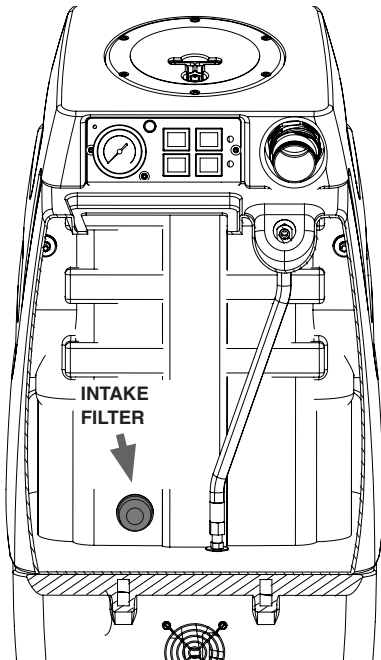
Lift lid and manually fill the tank.

1003DX SPEEDSTER® PRIME VALVE & PRESSURE REGULATOR



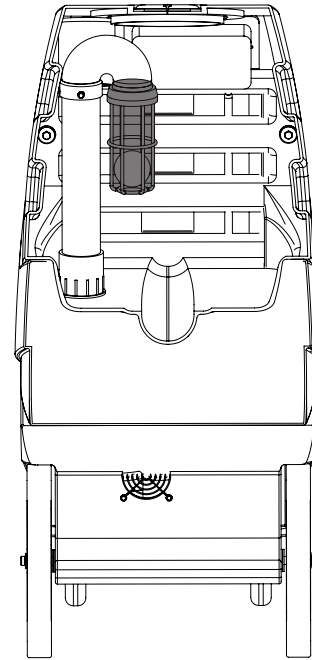
Prime the pump by turning the valve to the Prime position (as shown above) for 30 seconds, then turn right to the Run position. Turn the Pressure Regulator to the left to decrease water pressure. Turn the Pressure Regulator to the right to increase water pressure.

1003DX SPEEDSTER® FILTER MAINTENANCE



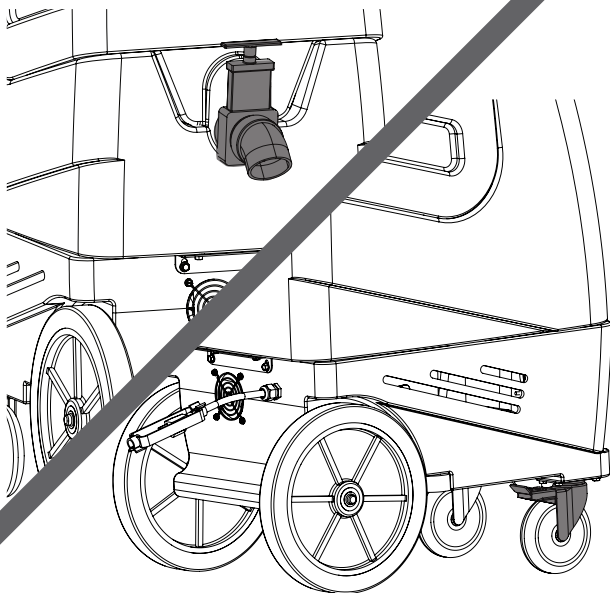
Check and clean solution tank filter daily by twisting off, rinsing with clean water and replacing.

1003DX SPEEDSTER® BALL FLOAT



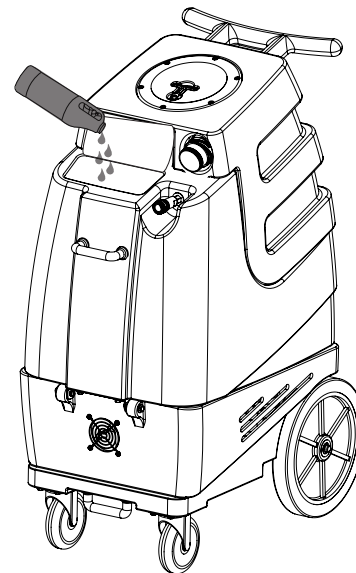
An internal ball float automatically turns off the machine's vacuum when the water in the solution tank reaches its maximum level. Empty the recovery tank as needed using the rear dump valve.

1003DX SPEEDSTER® DUMP VALVE & LOCKING CASTERS



Above, empty the recovery tank by attaching the 45° drain elbow to the drain spout in back. Lift up the dump valve and empty the tank. Below, locking casters help keep the machine remain stationary during use.

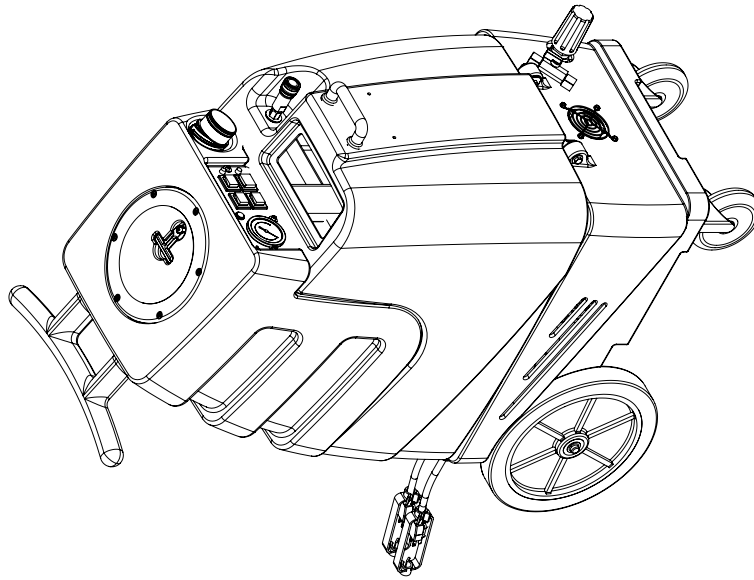
MYTEE® SYSTEM MAINTAINER



Weekly flushing of the solution system with Mytee® System Maintainer helps keep lines clean and prevents chemical build-up, improving pump life, performance and pressure.

1003DX SPEEDSTER

3
4
5
6
7
8



Items Not Shown

PART NO.	DESCRIPTION	QTY	MSRP
E530	power cord, ext. 50', 12/3, black	2	\$74.99 ea
E544	controller, circuit light	1	\$62.49 ea
G010	filter, bag, vac tank	1	\$9.99 ea
G085	gasket, imp, 3/4" x 3/6" x 1/8"	2	\$4.99 ea
H140	Cuff-Lynk, female swivel x female thread 2"	1	\$3.99 ea
H141	Cuff-Lynk, 2" to 1.5" reducer	1	\$3.99 ea
H375	hanger, wire formed, hose	1	\$10.99 ea

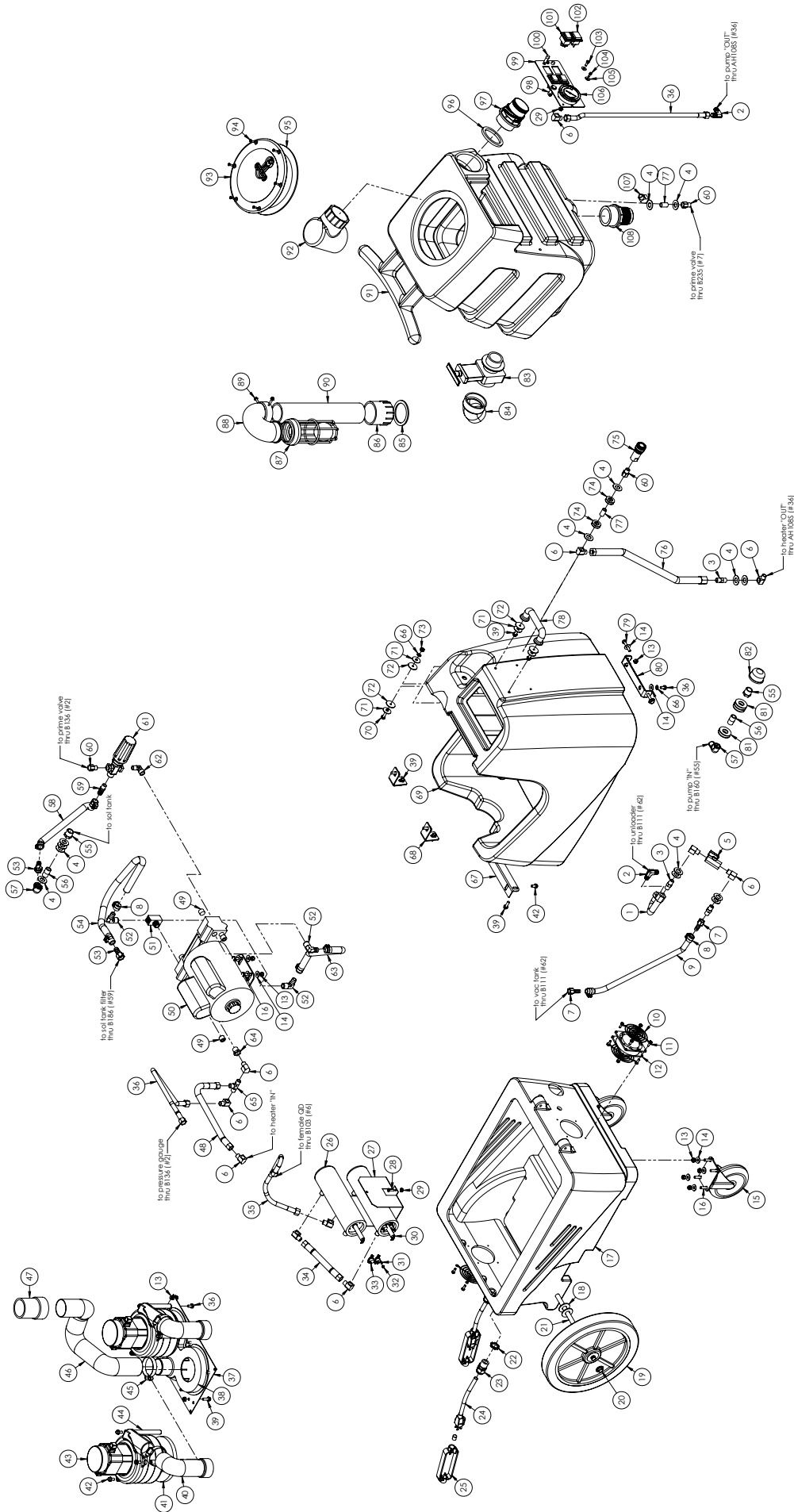
ITEM NO.	PART NO.	DESCRIPTION	QTY.	MSRP
56	B216	nipple, brass, 3/8" x close	2	\$1.99 ea
57	B186	elbow, brass, 90 deg, 3/8" mpt x 3/8" mpt	2	\$8.99 ea
58	PH615-24	sol hose, 1/2" kuril 100psi	1	\$8.99/ft
59	B644	adapter, brass, 1/2" barb x 1/4" mpt	1	\$2.49 ea
60	B111	adapter, brass, extender, 1/4" mpt x 1/4" fpt, hex	3	\$3.49 ea
61	C313C	regulator, 450 psi	1	\$86.99 ea
62	B652	elbow, brass, 90 deg, 3/8" mpt x 1/4" mpt	1	\$8.49 ea
63	PH615-12	sol hose, 1/2" kuril 100psi	1	\$8.99/ft
64	B105	bushing, brass, 3/8" mpt x 1/4"	1	\$3.19 ea
65	B135	tee, brass, 1/4" mpt	1	\$5.49 ea
66	H213	washer, 1/4" lock, s/s	4	\$9.99 ea
67	H912	bracket, rear, fb/spy	1	\$9.99 ea
68	H390A	bracket, "L" (all extractors)	2	\$6.99 ea
69	P732	sol tank, speedster	1	\$141.99 ea
70	H203	bolt, 1/4-20 x 1-1/4" hex head	2	\$0.99 ea
71	H211	washer, 1/4" id x 1" od, flat, s/s	6	\$0.99 ea
72	G052	washer, buna 1-1/8" od x 3/16" id	6	\$1.99 ea
73	H215	nut, hex, 1/4-20 s/s	2	\$0.99 ea
74	H413	washer, nylon, 9/16" id x 1-1/16" od x .031	4	\$0.99 ea
75	B102	qd, brass, 1/4" f	1	\$17.99 ea
76	AH105	hose, 3/8" x 17-1/2', (OAL), f	1	\$31.99 ea
77	B106	nipple, brass, 1/4" x close	2	\$3.49 ea
78	H485	handle, breeze and dk	1	\$6.99 ea
79	H316	bolt, 1/4-20 x 1-1/2" hex head, s/s	2	\$0.99 ea
80	H378	bracket, front hinge, sp/fb	1	\$8.99 ea
81	H299	washer, 1 1/16" id x 1-1/2" od x .075, s/s	5	\$0.99 ea
82	B119A	filter, strainer, 1/2"	1	\$6.49 ea
83	H225	valve, drain, 1-1/2"	1	\$20.99 ea
84	H226	spout, drain, 45 degree	1	\$3.19 ea
85	G002	gasket, cam fitting polyethylene, 2.35" OD 1.90" ID	1	\$6.49 ea
86	P684	adaptor, pvc 2, fmsl x fmlt	1	\$6.99 ea
87	H490	elbow, 2" float	1	\$18.49 ea
88	P726	lid, vac tank, black, 7"	1	\$11.49 ea
89	H118	screw, 10 x 3/4, self-tap, hex head, zinc	3	\$9.99 ea
90	P682	pipe, pvc, 2"	1	\$7.99/ft
91	P733	vac tank, speedster	1	\$190.99 ea
92	A926	elbow, inlet assembly 2"	1	\$15.99 ea
93	G090	lid, vac tank, black, 7"	1	\$36.99 ea
94	H304	screw, #8 x 5/8 phil oval, s/s	6	\$0.99 ea
95	G091	gasket, 7", vac lid	1	\$11.99 ea
96	G083	gasket, 2" inlet	1	\$2.49 ea
97	H135	Cuff-Lynk, 2" m cuff x 2" mpt	1	\$3.99 ea
98	E512B	light, indicator, 125v (amber)	1	\$9.99 ea
99	H337	plate, switch, sp, 4 hole w/gauge	1	\$8.99 ea
100	E511	light, red, 250v	2	\$5.99 ea
101	E515	switch, rocker, 2 position	3	\$3.99 ea
102	E516	switch, rocker, 3 position	1	\$14.99 ea
103	H389	screw, #10-32 x 1/2" SHCS, alloy	1	\$4.99 ea
104	H246	screw, 8-32 x 3/8" SHCS, alloy, Black	2	\$0.99 ea
105	H289	washer, #10 flat, s/s	3	\$0.99 ea
106	H308D	gauge, pressure, 2000 PSI	1	\$38.99 ea
107	B130	45 deg, street elbow, brass, 1/4" male NPTF	1	\$5.49 ea
108	P655	inlet, 2"	1	\$10.99 ea

ITEM NO.	PART NO.	DESCRIPTION	QTY.	MSRP
1	AH103	hose, 3/8" x 10", (OAL), f x f	1	\$30.49 ea
2	B136	elbow, brass, 90 deg, 1/4" mpt x 1/4" mpt	2	\$4.99 ea
3	B107	nipple, brass, 1/4" m, hex	3	\$3.19 ea
4	H212	washer, 9/16" id x 1" od, flat, s/s	14	\$0.99 ea
5	B656	ball valve, 1/4"	1	\$13.49 ea
6	B103	elbow, brass, 90 deg, 1/4" mpt x 1/4" fpt	11	\$4.49 ea
7	B235	adapter, brass, 3/8" barb x 1/4" fsw	2	\$7.99 ea
8	H347	clamp, hose, 5/16-29/32	16	\$1.99/ft
9	PH715-25	sol hose, kuriyama, 3/8"	1	\$7.99/ft
10	H296	guard, cooling fan, wire	3	\$2.99 ea
11	H343	screw, #10 x 5/8" hex head zinc	12	\$0.99 ea
12	C317	fan, cooling, 115V	1	\$21.49 ea
13	H216	nut, lock, 1/4-20 nylon insert	16	\$0.99 ea
14	H210	washer, 1/4" flat, s/s	20	\$0.99 ea
15	H666	caster, 5"	2	\$23.19 ea
16	H342	bolt, 1/4-20 x 1" hex head, s/s	12	\$0.99 ea
17	P731	base, speedster	1	\$141.99 ea
18	H254	washer, axle, cut 1/2" id	4	\$0.99 ea
19	H251	wheel, 12"	2	\$41.99 ea
20	H219	cap, axle, 1/2"	2	\$0.99 ea
21	H371	axle, 1/2" x 18-1/2", sp, breeze	1	\$9.99 ea
22	H221	nut, lock 1/2" steel	2	\$1.99 ea
23	H220	fitting, strain relief, cord	2	\$3.19 ea
24	E550	power cord, pigtail, 30', 12/3, black	2	\$11.49 ea
25	G131	connector, cord lock	2	\$4.99 ea
26	H903A	heater, aluminum cast, single	2	\$78.99 ea
27	H528	bracket, heater mounting, dual	1	\$29.99 ea
28	H256	screw, #10-32 x 3/4" phil pan head, zinc	2	\$0.99 ea
29	H273	nut, kep, #10-32 zinc	4	\$0.99 ea
30	E519	heating rod, 1000W, 115V	2	\$51.99 ea
31	E574	Thermostat, 310F ± 10F, Manual, 1/4"	2	\$17.99 ea
32	H274	screw, 6 x 3/16, phil pan head, self tapping	10	\$0.99 ea
33	E573	Thermostat, 200F, Auto, 1/4"	2	\$16.49 ea
34	AH156	hose, 3/8" x 6.5', (OAL), f x fsw, surge, 1600psi	1	\$23.99 ea
35	AH108S	sol hose, 1/4" x 24 1/2', (OAL), f x fsw, 3000psi	3	\$26.49 ea
36	H201	bolt, 1/4-20 x 1/2", hex head, zinc	8	\$0.99 ea
37	H601	plate, manifold, parallel	1	\$13.49 ea
38	P750	manifold, dual vac, parallel	1	\$15.99 ea
39	H768	bolt, 1/4-20 x 3/4" serrated hex flange, zinc	10	\$0.99 ea
40	G059	exhaust boot, plastisol	2	\$4.99 ea
41	G004	gasket, vacuum motor	2	\$8.99 ea
42	H770	bolt, 1/4-20 x 1/2" serrated hex flange, zinc	8	\$0.99 ea
43	C302	vac motor, 3 stage, 120V, tangential	2	\$140.99
44	H501	vac support, 3 stage, 4-1/16"	6	\$4.99 ea
45	H217	clamp, hose, 2 1/4 dia	3	\$1.49 ea
46	PH628-20	vac hose, 2", wire reinforced	1	\$8.99/ft
47	H544	cuff hose, 2 X 2, wire reinforced	1	\$12.49 ea
48	AH184	hose, 3/8" x 14-1/2', (OAL), f surge	1	\$27.99 ea
49	B246	plug, brass, 3/8" mpt, hex	4	\$1.99 ea
50	C313	pump, 450 psi, 115V	1	\$588.99 ea
51	B242	tee, brass, 3/8" fpt x 3/8" mpt x 3/8" fpt	1	\$13.99 ea
52	B172	elbow, brass, 90 deg, 1/2" barb x 3/8" mpt	3	\$9.49 ea
53	B160	adapter, brass, 1/2" barb x 3/8" fsw, ball end	2	\$3.49 ea
54	PH615-36	sol hose, 1/2" kuril 100psi	1	\$8.99/ft
55	B210	bushing, brass, 1/2" mpt x 3/8" fpt, hex	2	\$2.49 ea

Order parts at: www.mytee.com/products/order.php?id=1003DX

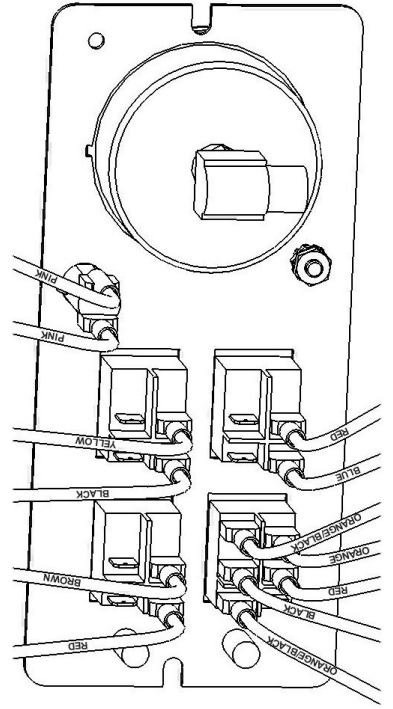
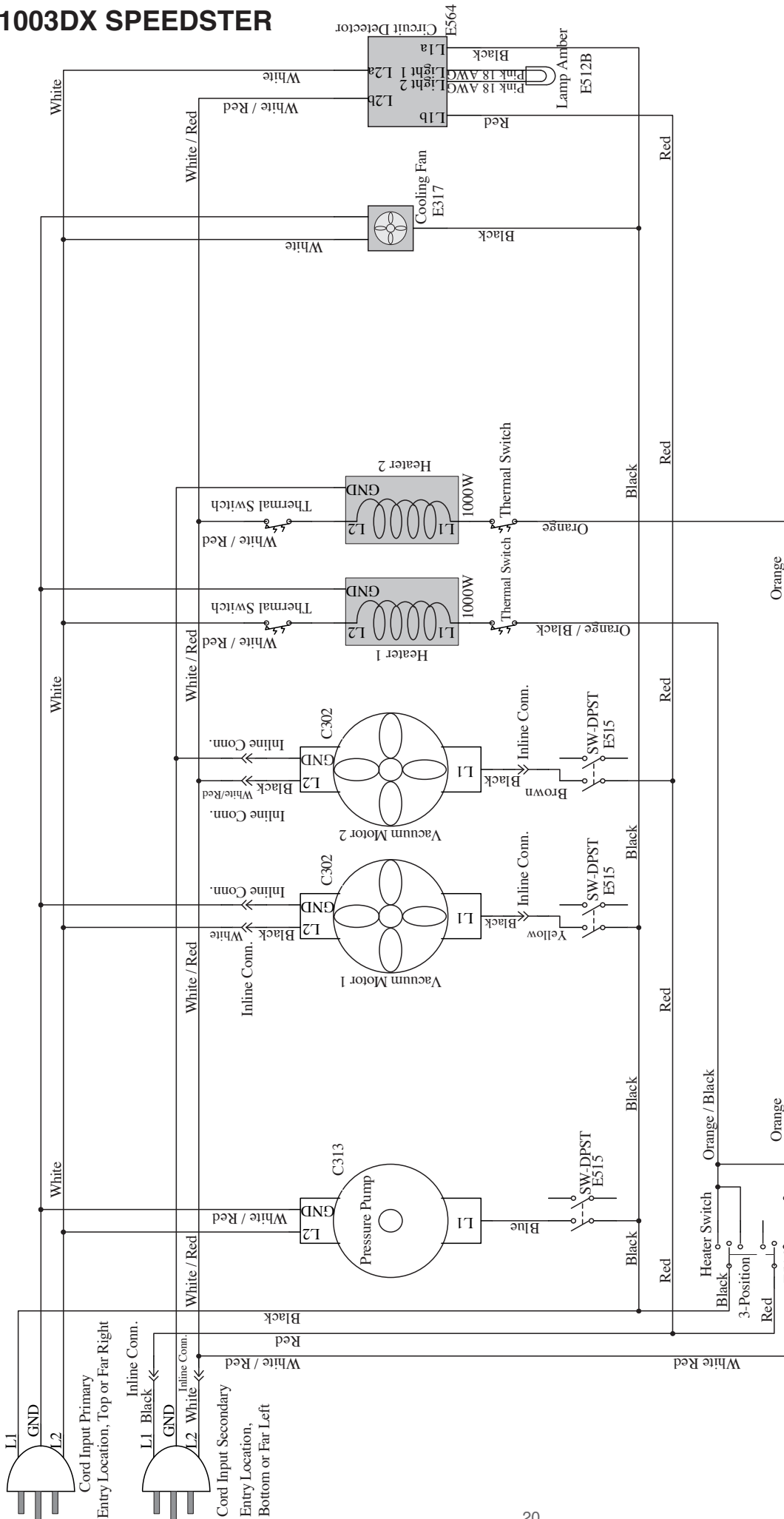
Part prices are subject to change.

1003DX SPEEDSTER



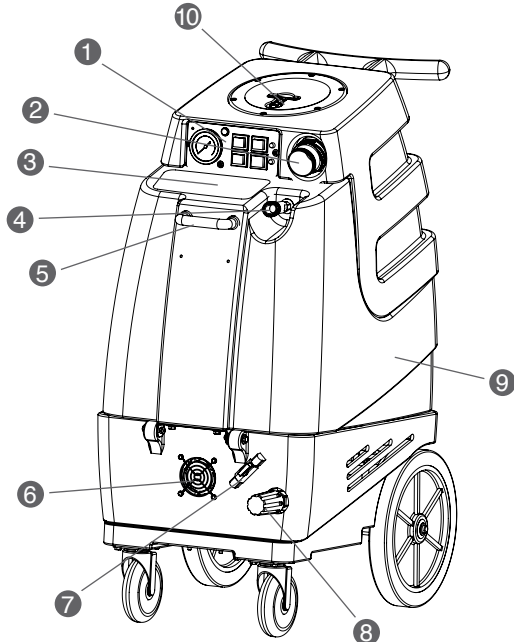
NAME	DATE	SCALE	mytee	PRODUC
DRAWN	J. COPE	1/2012		
CHECKED				
TITLE: speedster				
PROPRIETARY AND CONFIDENTIAL INFORMATION CONTAINED HEREIN IS UNCLASSIFIED EXCEPT WHERE SHOWN OTHERWISE AND IS TO BE RELEASED ONLY AS AUTHORIZED BY THE ISSUING OFFICE. MYTEE PRODUCTS INC. © 2012				
SIZE	DWG. NO.	REV.		
D	1003DX	1		
SCALE	1:18			

1003DX SPEEDSTER



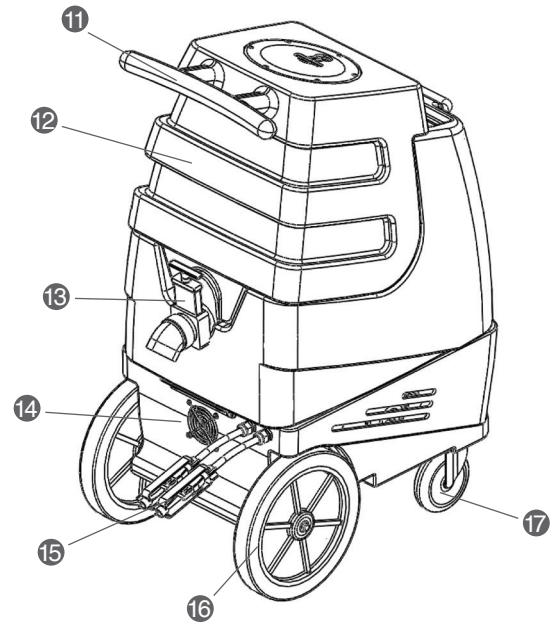
Title 1003DX		Mytee Products 13655 Stone Dr. Fremont, CA 92704	
Size: Legal	Number: 0000	Revision: A	
Date: 12/7/2010	Time: 10:34:12 AM	Sheet 1 of 1	
File: C:\Companies\GH\Projects\Mytee\Schematics\1003DX\1003DX.SCHDOC			

1005DX SPEEDSTER® FRONT



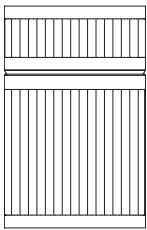
- | | |
|---------------------------------|-----------------------|
| 1. Switch plate | 6. Front vent |
| 2. 2" Male Cuff-Lynx™ | 7. Prime Valve |
| 3. Solution lid | 8. Pressure Regulator |
| 4. Female quick disconnect (QD) | 9. Solution tank |
| 5. Front handle | 10. Recovery lid |

1005DX SPEEDSTER® BACK

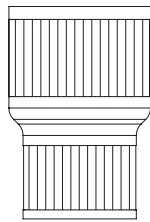


- | | |
|----------------------|------------------------|
| 11. Push handle | 16. 12" Rear wheels |
| 12. Recovery tank | 17. 5" locking casters |
| 13. Drain valve | |
| 14. Back vent | |
| 15. Dual Power cords | |

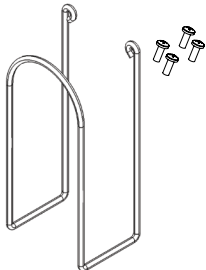
1005DX SPEEDSTER® ITEMS INCLUDED



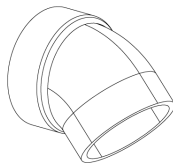
H110 Cuff-Lynx™
2" Hose Adapter



H141 Cuff-Lynx™
2" Hose Reducer to 1.5"



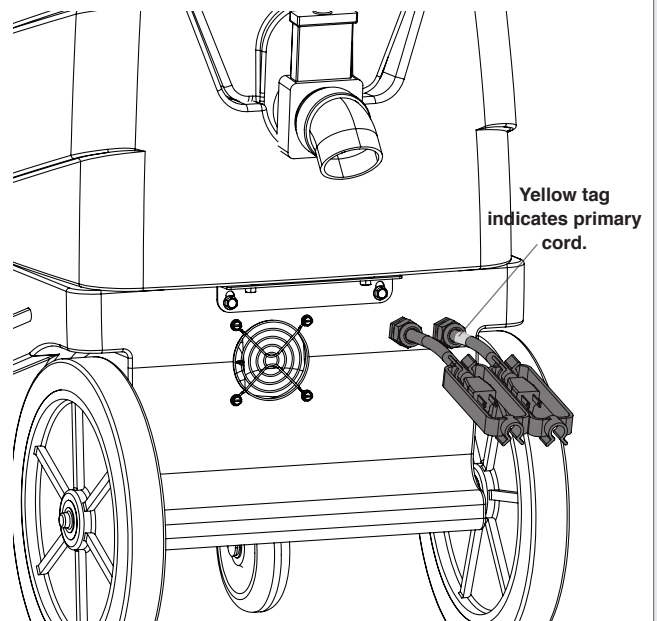
H375- Hose Hanger
(4) screws



H226 Drain Elbow

1005DX SPEEDSTER® CORD

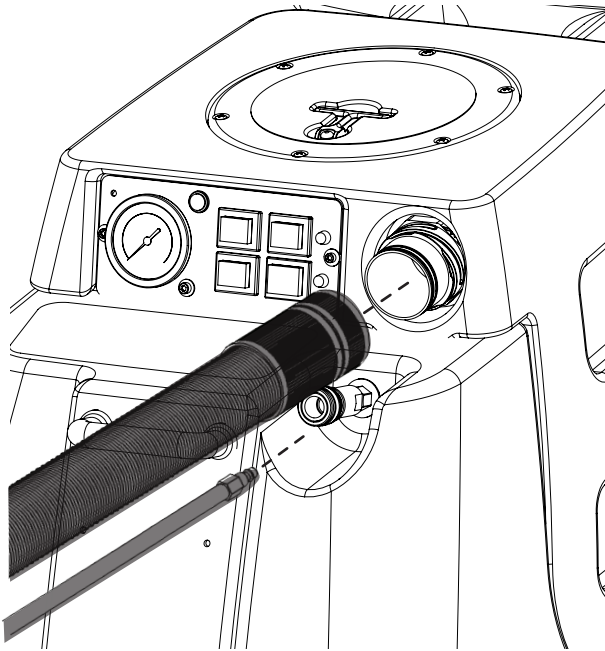
Left cord: Powers power Vac 2.
Right cord: Powers Vac 1 & Pump.



Plug each power cord into a separate, 20A grounded wall outlet. **Outlets must be on two separate breakers.** When the amber light on the switch plate illuminates, the machine is on separate circuits (not necessarily 20A circuits). You can identify the primary cord by the yellow tag.

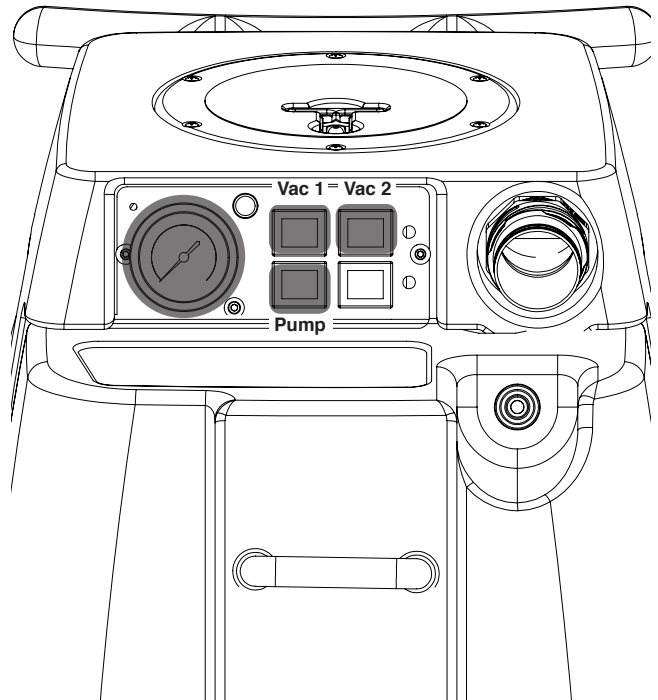
1005DX SPEEDSTER

1005DX SPEEDSTER® VAC/SOL HOSE CONNECTIONS



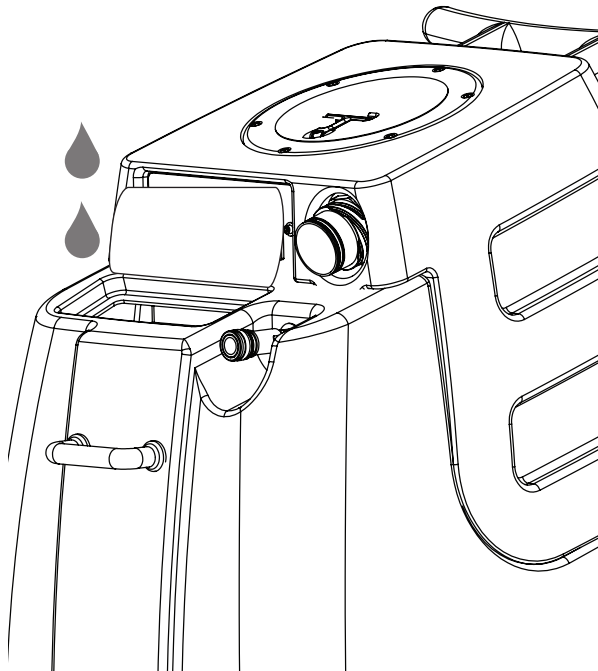
Attach one end of a solution hose to a wand or other tool, the other end to the Speedster's® front quick disconnect. Attach one end of a vacuum hose to the tool, the other end to the Speedster's® Cuff-Lynx™ vacuum hose port.

1005DX SPEEDSTER® SWITCHES



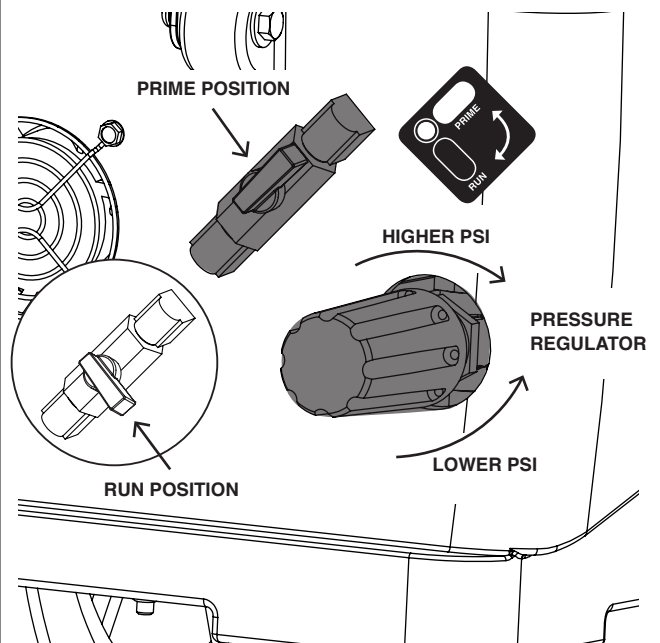
"On" switches are located on the plate in front of the machine. To use vacuums, turn on Vac 1 and Vac 2 switches. To use pump, turn on Pump switch. Bottom right switch has no use.

1005DX SPEEDSTER® FILL SOLUTION TANK



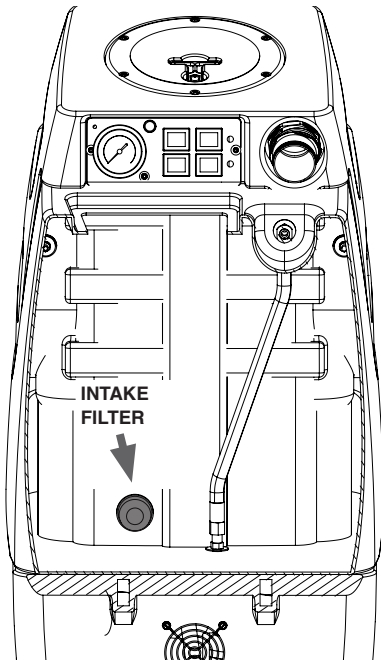
Lift lid and manually fill the tank.

1005DX SPEEDSTER® PRIME VALVE & PRESSURE REGULATOR



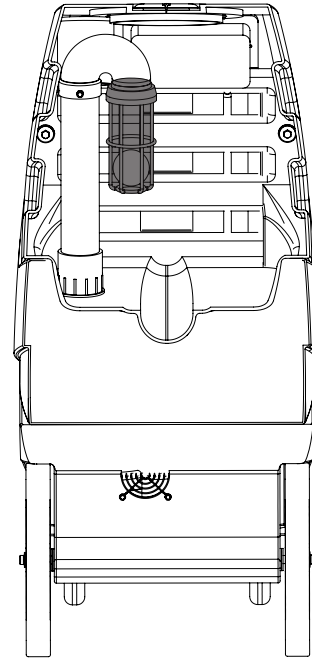
Prime the pump by turning the valve to the Prime position (as shown above) for 30 seconds, then turn right to the Run position. Turn the Pressure Regulator to the left to decrease water pressure. Turn the Pressure Regulator to the right to increase water pressure.

1005DX SPEEDSTER® FILTER MAINTENANCE



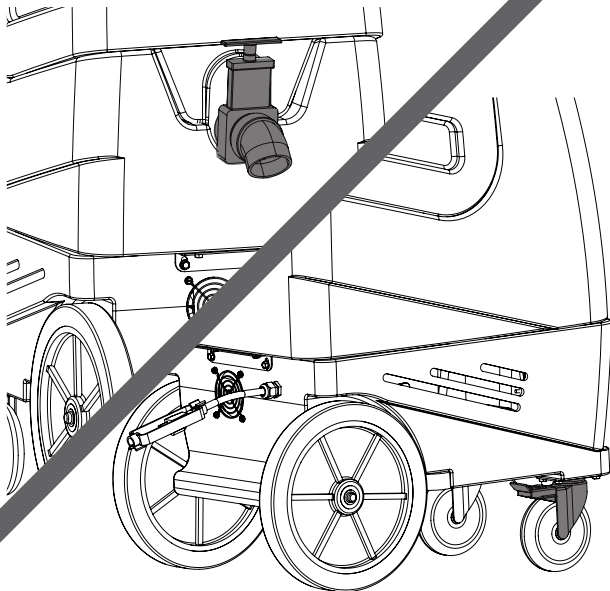
Check and clean solution tank filter daily by twisting off, rinsing with clean water and replacing.

1005DX SPEEDSTER® BALL FLOAT



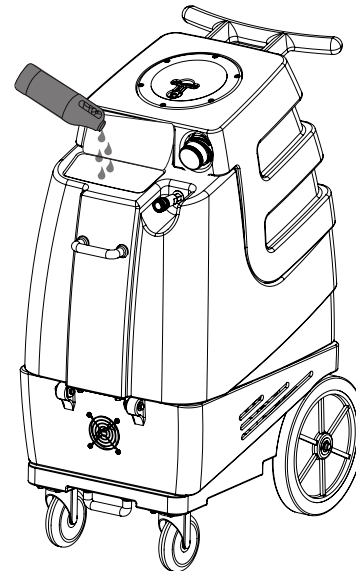
An internal ball float automatically turns off the machine's vacuum when the water in the solution tank reaches its maximum level. Empty the recovery tank as needed using the rear dump valve.

1005DX SPEEDSTER® DUMP VALVE & LOCKING CASTERS



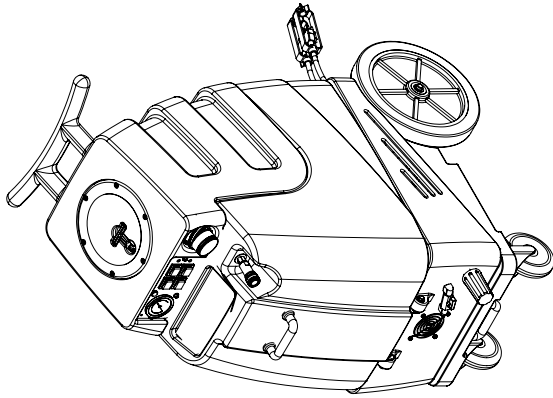
Above, empty the recovery tank by attaching the 45° drain elbow to the drain spout in back. Lift up the dump valve and empty the tank. Below, locking casters help keep the machine remain stationary during use.

MYTEE® SYSTEM MAINTAINER



Weekly flushing of the solution system with Mytee® System Maintainer helps keep lines clean and prevents chemical build-up, improving pump life, performance and pressure.

1005DX SPEEDSTER



ITEM NO.	PART NO.	DESCRIPTION	QTY.	MSRP
55	P733	vac tank, speedster	1	\$190.99 ea
56	P685	inlet, 2"	1	\$10.99 ea
57	P684	adaptor, pvc 2, fmsl x fmsl	1	\$6.99 ea
58	P682	pipe, pvc, 2"	1	\$7.99/ft
59	P726	elbow, 2" float	1	\$11.49 ea
60	G091	gasket, 7", vac lid	1	\$11.99 ea
61	G090	lid, vac tank, black, 7"	1	\$36.99 ea
62	H304	screw, #8 x 5/8 phil oval, s/s	6	\$0.99 ea
63	H490	float, 2", ball style	1	\$18.49 ea
64	P732	sol tank, speedster	1	\$141.99 ea
65	G131	connector, cord lock	2	\$4.99 ea
66	E550	power cord, pigtail, 30', 12/3, black	2	\$11.49 ea
67	H220	fitting, strain relief, cord	2	\$3.19 ea
68	H221	nut, lock, 1/2" steel	2	\$1.99 ea
69	H912	bracket, rear, fb/spy	1	\$9.99 ea
70	H601	plate, manifold, parallel	1	\$13.49 ea
71	H501	vac support, 3 stage, 4-1/16"	6	\$4.99 ea
72	P750	manifold, dual vac, parallel	1	\$15.99 ea
73	G004	gasket, vacuum motor	2	\$8.99 ea
74	C302A	motor, 3-stage, 11.5 cfm, 14.5 amps	2	\$148.99 ea
75	H217	clamp, hose, 2-1/4 dia	3	\$1.49 ea
76	PH628-24	vac hose, 2" wire reinforced, gray	1	\$8.99/ft
77	H544	cuff hose, 2 X 2, wire reinforced	1	\$12.49 ea
78	G059	exhaust boot, plastisol	2	\$4.99 ea
79	B160	adaptor, brass, 1/2" barb x 3/8" fsw, ball end	2	\$3.49 ea
80	PH615-22	sol hose, 1/2" kuri 100 psi	1	\$8.99/ft
81	B644	adaptor, brass, 1/2" barb x 1/4" mpt	1	\$2.49 ea
82	C313C	regulator, 450 psi	1	\$86.99 ea
83	B652	elbow, brass, 90 deg, 3/8" mpt x 1/4" mpt	1	\$8.49 ea
84	B136	elbow, brass, 90 deg, 1/4" mpt x 1/4" mpt	2	\$4.99 ea
85	AH103	hose, 3/8" x 10', (OAL), 1 x f	1	\$30.49 ea
86	PH615-10	sol hose, 1/2" kuri 100 psi	1	\$8.99/ft
87	B246	plug, brass, 3/8" mpt, hex	4	\$1.99 ea
88	B172	elbow, brass, 90 deg, 1/2" barb x 3/8" mpt	3	\$9.49 ea
89	B242	tee, brass, 3/8" fpt x 3/8" mpt x 3/8" fpt	1	\$13.99 ea
90	PH615-36	sol hose, 1/2" kuri 100 psi	1	\$8.99/ft
91	C313	pump, 450 psi, 11.5V	1	\$588.99 ea
92	B105	bushing, brass, 3/8" mpt x 1/4"	1	\$3.19 ea
93	B135	tee, brass, 1/4" mpt	1	\$5.49 ea
94	AH108S	sol hose, 1/4" x 24 1/4"	3	\$26.49

Items not shown

PART NO.	DESCRIPTION	QTY.	MSRP
E530	power corf, ext 50, 12/3 black	2	\$74.99 ea
E564	controller, circuit light	1	\$62.49 ea
G010	filter, bag, vac tank, draw string	1	\$9.99 ea
G085	gasket, ship, 3/4" x 3/8" x 1/8"	2	\$4.99 ea
H140	cuff-lynx, female swivel x female thread 2"	1	\$3.99 ea
H141	cuff-lynx, 2" to 1.5" reducer	1	\$3.99 ea
H375	hanger, wire formed, hose	1	\$10.99 ea

ITEM NO.	PART NO.	DESCRIPTION	QTY.	MSRP
1	H296	guard, cooling fan, wire	2	\$2.99 ea
2	H343	screw, #10 x 5/8" hex head zinc	10	\$0.99 ea
3	H378	bracket, front hinge, sp/fb	1	\$8.99 ea
4	H210	washer, 1/4" flat, s/s	23	\$0.99 ea
5	H213	washer, 1/4" lock, s/s	2	\$0.99 ea
6	H201	bolt, 1/4-20 x 1/2", hex head, zinc	2	\$0.99 ea
7	B107	nipple, brass, 1/4"m, hex	4	\$3.19 ea
8	H212	washer, 9/16" id x 1" od, flat, s/s	10	\$0.99 ea
9	B103	elbow, brass, 90 deg, 1/4" mpt x 1/4" fpt	7	\$4.49 ea
10	B656	ball valve, 1/4"	1	\$13.49 ea
11	H216	nut, lock, 1/4-20 nylon insert	17	\$0.99 ea
12	H316	bolt, 1/4-20 x 1-1/2" hex head, s/s	2	\$0.99 ea
13	H666	caster, 5"	2	\$23.19 ea
14	H202	bolt, 1/4-20 x 3/4" hex head, s/s	18	\$0.99 ea
15	H485	handle, breeze and dx	2	\$6.99 ea
16	H211	washer, 1/4" id x 1" od, flat, s/s	8	\$0.99 ea
17	H768	bolt, 1/4-20 x 3/4" serrated hex flange, zinc	13	\$0.99 ea
18	P731	base, speedster	1	\$141.99 ea
19	H254	washer, axle, cut 1/2" id	4	\$0.99 ea
20	H371	axle, 18.25" x .50" dia	1	\$9.99 ea
21	H251	wheel, 12"	2	\$41.99 ea
22	H219	cap, axle, 1/2"	2	\$0.99 ea
23	G052	washer, buna 1-1/8" od x 3/16" id	6	\$1.99 ea
24	B119A	filter, strainer, 1/2"	1	\$6.49 ea
25	B210	bushing, brass, 1/2" mpt x 3/8" fpt, hex	2	\$2.49 ea
26	H299	washer, 11/16" id x 1-1/2" od x .075, s/s	10	\$0.99 ea
27	B216	nipple, brass, 3/8" x close	2	\$1.99 ea
28	B186	elbow, brass, 90 deg, 3/8" mpt x 3/8" fmsl	2	\$8.99 ea
29	B102	qd, brass, 1/4" f	1	\$17.99 ea
30	B111	adaptor, brass, extender, 1/4" mpt x 1/4" fpt, hex	3	\$3.49 ea
31	AH105	hose, 3/8" x 24 1/2", (OAL)	1	\$31.99 ea
32	H246	screw, 8-32 x 3/8" SHCS, alloy, Black	2	\$0.99 ea
33	H612	washer, #8 flat, s/s	3	\$0.99 ea
34	H389	screw, #10-32 x 1/2" SHCS, alloy	1	\$0.99 ea
35	H308D	gauge, pressure, 2000 PSI	1	\$38.99 ea
36	E515	switch, rocker, 2 position	4	\$13.99 ea
37	E512B	light, indicator, 125v (amber)	1	\$9.99 ea
38	H337	plate, switch, sp, 4 hole w/gauge	1	\$8.99 ea
39	H273	nut, kep, #10-32 zinc	2	\$0.99 ea
40	H215	nut, hex, 1/4-20 s/s	2	\$0.99 ea
41	H203	bolt, 1/4-20 x 1-1/4" hex head	2	\$0.99 ea
42	B119	filter, strainer, 1/4"	1	\$3.99 ea
43	B130	45 deg, street elbow, brass, 1/4" male NPTF	1	\$5.49 ea
44	B106	nipple, brass, 1/4" x close	1	\$3.49 ea
45	B235	adaptor, brass, 3/8" barb x 1/4" fsw	2	\$7.99 ea
46	PH715-28	sol hose, kuriyama, 3/8"	1	\$7.99/ft
47	H347	clamp, hose, 5/16-29/32	16	\$1.99 ea
48	H770	bolt, 1/4-20 x 1/2" serrated hex flange, zinc	8	\$0.99 ea
49	H900A	bracket, L (all extractors)	2	\$6.99 ea
50	H135	Cuff-Lynx, 2" m cuff x 2" mpt	1	\$3.99 ea
51	G083	gasket, 2" inlet	1	\$2.49 ea
52	A926	elbow, inlet assembly 2"	1	\$15.99 ea
53	H226	spout, drain, 45 degree	1	\$3.19 ea
54	H225	valve, drain, 1-1/2"	1	\$20.99 ea

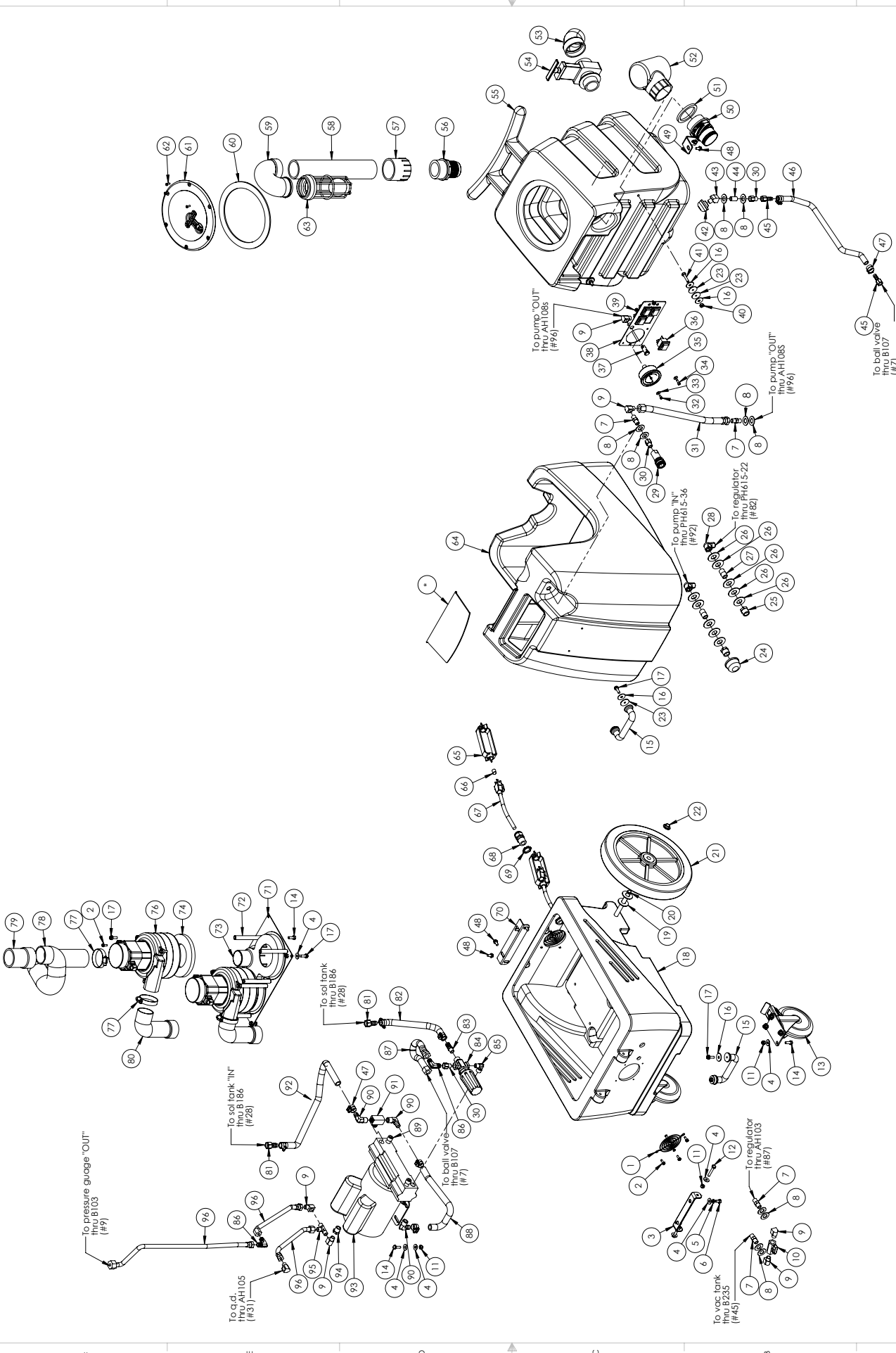
Order parts at: www.mytee.com/products/product.php?id=1005DX

Part prices are subject to change.

DRAWN	J. COHN	DATE	10/27/10
CHECKED			
mytee PRODUCTS, INC. 888.692.1191 TITLE:			
PROPERTY AND CONFIDENTIAL INFORMATION OF mytee PRODUCTS, INC. ANY REPRODUCTION OR DISSEMINATION OF THIS DRAWING WITHOUT THE WRITTEN PERMISSION OF mytee PRODUCTS, INC. IS PROHIBITED.			
SIZE	DWG. NO.	REV	
C	1005DX	0D	
SCALE: 1:8	SHEET NO.	SHEET 1 OF 2	

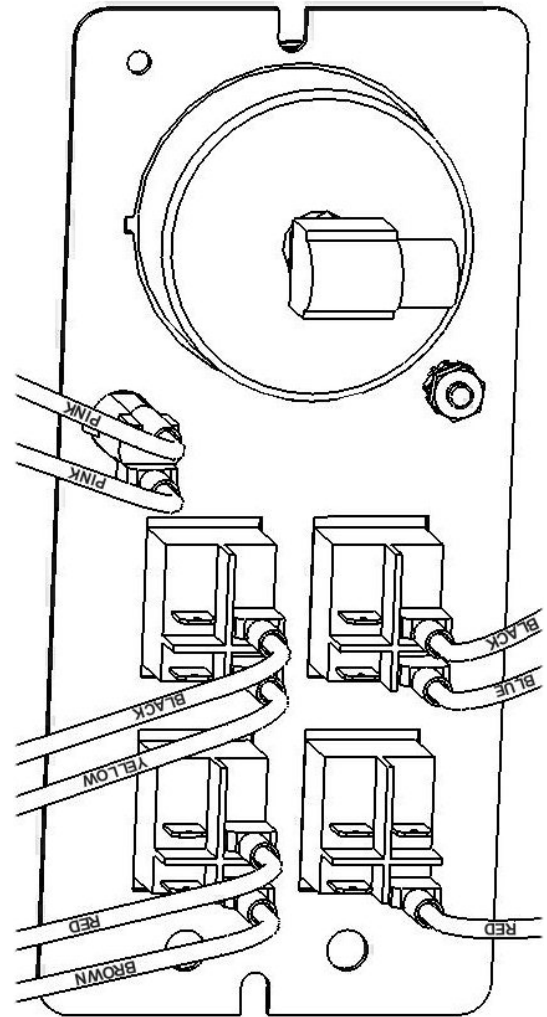
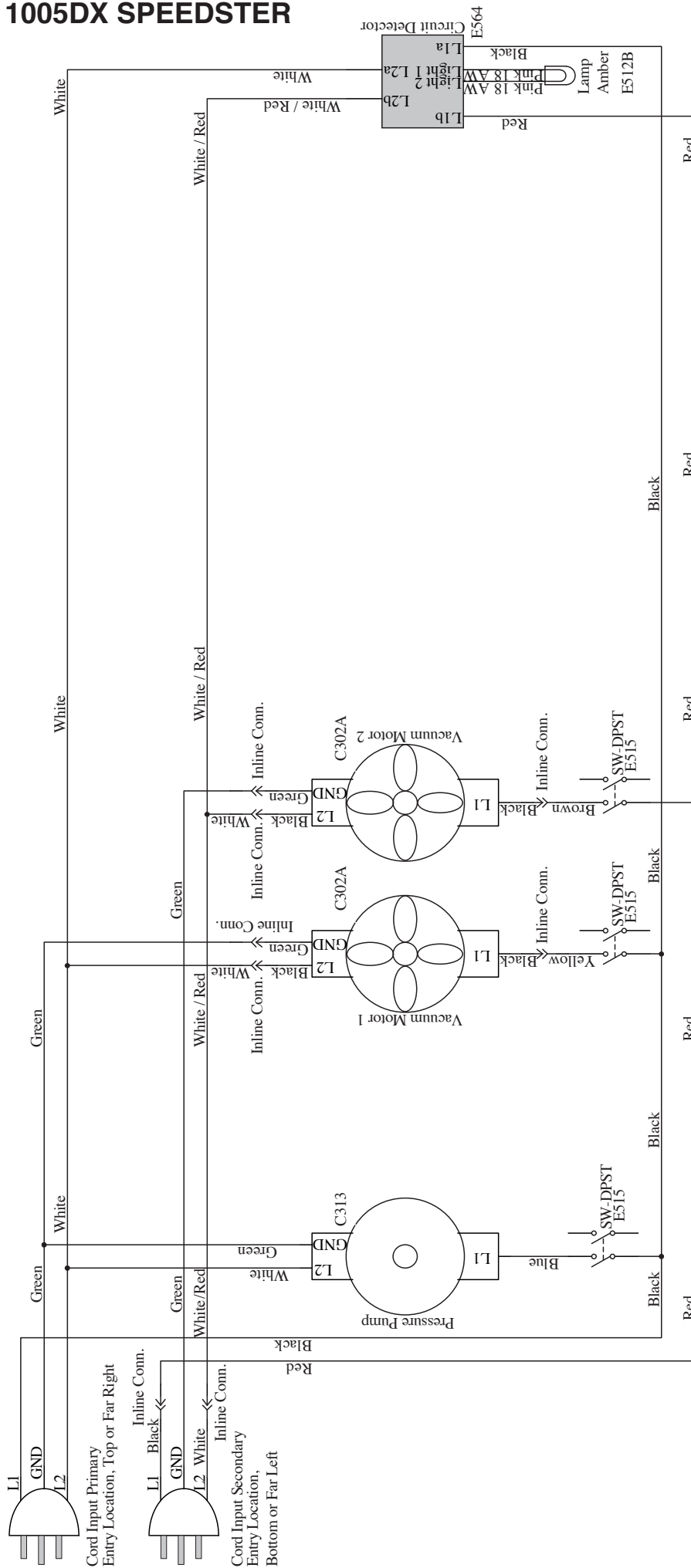
SPEEDSTER

1005DX SPEEDSTER



NAME	DATE	mytee PRODUCTS, INC.
DRAWN: J. Corp.	7/1/2010	88-293-01
CHECKED:		TITLE:
SPEEDSTER		
PROPRIETARY AND CONFIDENTIAL. THE INFORMATION CONTAINED HEREIN IS THE PROPERTY OF MYTEE PRODUCTS, INC. ANY REPRODUCTION OR USE WITHOUT THE WRITTEN PERMISSION OF MYTEE PRODUCTS, INC. IS PROHIBITED.	REV	OD
SCALE: 1:8	C	1005DX
SCALE: 1:8	SCHEMATIC	SHEET 2 OF 2

1005DX SPEEDSTER



Title 1005DX		Mytee Products 13655 Stone Dr. Pomona, CA 92064	
Size: Letter	Number: 0000	Revision: A	Sheet 1 of 1
Date: 11/30/2010	Time: 11:52:30 AM	File: C:\Companes\GHVProjects\Mytee Schematics\1005DX\1005DX.SCHDOC	

Dear Customer:

Congratulations on the purchase of your new Speedster® Extractor. As you are already aware, the scene of the equipment world is becoming more high tech, and we at Mytee Products Inc. strive to keep you on the cutting edge with superior quality and technology.

Keep in mind that the Speedster® Extractor is a machine, so neglect or abuse will cause unnecessary damage and void the warranty. However with simple maintenance the Speedster® will give quality performance for many years to come.

If warranty questions arise, please consult user manual or get in touch with your distributor. If you have questions about maintenance, replacing parts or ordering parts, please call an authorized Mytee Products Inc. Service Center. To see an updated list, visit our website at www.mytee.com

Before you begin using, please read your manual thoroughly.

Sincerely,
Mytee Customer Care Dept.

Grounding Instructions

This machine must be grounded. If it should malfunction or breakdown, grounding provides a path of least resistance for electrical shock. This machine is equipped with a cord having an equipment-grounding conductor and grounding plug. The plug must be plugged into an appropriate outlet that is properly installed in accordance with all local code and ordinances. Do not remove ground pin; if missing, replace plug before use.



Improper connection of the equipment-grounding conductor can result in a risk of electric shock. Check with a qualified electrician or service person if you are in doubt as to whether the outlet is properly grounded. Do not modify the plug provided with the machine. If it will not fit the outlet, have a proper outlet installed by a qualified electrician.

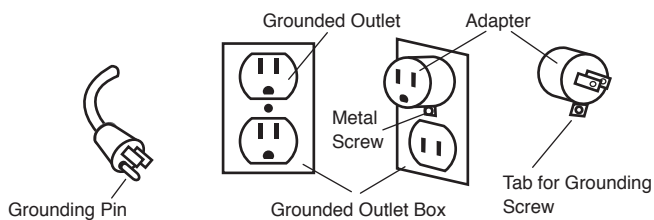
This appliance is for use on a nominal 120-volt circuit, and has a grounding plug that looks like the plug illustrated in Figure 1 below. A temporary adapter illustrated in Figures 2 and 3 may be used—to connect this plug to a 2-pole receptacle as shown in Figure 2 if a properly grounded outlet is not available. The temporary adapter should be used only until a properly grounded outlet (Figure 1) can be installed by a qualified electrician. The green colored rigid ear, tab or the like extending from the adapter must be connected to a permanent ground such as a properly grounded outlet box cover. Whenever the adapter is used, it must be held in place by a metal screw. Grounding adapters are not approved for use in Canada.

Replace the plug if the grounding pin is damaged or broken.

The Green (or GreenYellow) wire in the cord is the grounding wire. When replacing a plug, this wire must be attached to the grounding pin only.

DO NOT use extension cords.

Please Note for America use only



Parts and Service

Repairs, when required, should be performed by Mytee service personnel or Mytee authorized Service Center using Mytee original replacement parts and accessories. Call Mytee for repair parts or service. Please

specify the Model and Serial Number when discussing your machine.

Name Plate

The Model and Serial Number of your machine are shown on the name plate located on the inside of the machine. This information is needed when ordering repair parts for the machine. Use the space provided on the front cover to note the Model and Serial Number of your machine for future reference.

Unpacking the Machine

When the machine is delivered, carefully inspect the shipping carton and the machine for damage. If damage is evident, save the shipping carton so that it can be inspected by the carrier that delivered it. Contact the carrier immediately to file a freight damage claim.

Caution and Warnings

Symbols

Mytee uses the symbols below to signal potentially dangerous conditions. Always read this information carefully and take the necessary steps to protect personnel and property.



DANGER

Is used to warn of immediate hazards that will cause severe personal injury or death.



WARNING

Is used to call attention to a situation that could cause severe personal injury.



CAUTION

Is used to call attention to a situation that could cause minor personal injury or damage to the machine or other property. When using an electrical appliance, basic precautions should always be followed, including the following: Read all instructions before using this machine. This product is intended for commercial use only.



WARNING

To reduce the risk of fire, electrical shock, or injury:

1. Read all instructions before using equipment.
2. Use only as described in this manual. Use only manufacturer's recommended attachments.
3. Always unplug power cord from electrical outlet before attempting any adjustments or repairs.
4. Do not unplug by pulling on cord. To unplug, grasp the plug, not the cord.
5. Do not pull or carry by cord. Do not close a door on cord or pull cord around sharp edges or corners.
6. Do not run appliance over cord. Keep cord away from heated surfaces.
7. Do not use with damaged cord or plug. If cord is damaged, repair immediately.
8. Do not use outdoors or on wet surfaces and or standing water.
9. Always unplug or disconnect the appliance from power supply when not in use.
10. Do not allow to be used as a toy. Close attention is necessary when used by or near children.
11. Do not use in areas where flammable or combustible material may be present.
12. Do not leave the unit exposed to harsh weather elements. Temperatures below freezing may damage components and void warranty.
13. Use only the appropriate handles to move and lift unit. Do not use any other parts of this machine for this purpose.
14. Keep hair, loose clothing, fingers, and all parts of the body away from all openings and moving parts.
15. Use extra care when using on stairs.
16. To reduce the risk of fire or electric shock, do not use this machine with a solid-state speed control device.

GENERAL INFORMATION

17. The voltage and frequency indicated on the name plate must correspond to the wall receptacle supply voltage.
18. When cleaning and servicing the machine, local or national regulations may apply to the safe disposal of liquids which may contain: chemicals, grease, oil, acid, alkalines, or other dangerous liquids.
19. Do not leave operating unattended.

Preparation

1. Remove furniture and other items from the area you are going to clean.
2. Vacuum carpet and upholstery, and remove debris.
3. Protect cabinets, walls and painted surfaces with drop cloths or plastic.
4. Inspect power cords for damages.

Operating Instructions

1. Fill the solution tank.
 2. Attach one end of a solution hose to a wand or other tool, the other end to the Speedster's® front quick disconnect.
 3. Attach one end of a vacuum hose to the tool, the other end to the Speedster's® Cuff-Lynx™ vacuum hose port.
 4. Plug in power cords.
 - **1000DX and 1000DX-200 models** – Plug single cord into single, 20A grounded wall outlet.
 - **1001DX, 1001DX-200 models** – Using two separate circuits/breakers, plug the left power cord into 20A grounded wall outlet to turn on Vac 2 and Heater 2. Plug the right power cord into separate 20A grounded wall outlet to turn on Vac 1, Heater 1 and Pump.
 - **1003DX models** – Using two separate circuits/breakers, plug the left power cord into 20A grounded wall outlet to turn on Vac 2 and Heater 2. Plug the right power cord into separate 20A grounded wall outlet to turn on Vac 1, Heater 1 and Pump.
 - **1005DX models** – Using two separate circuits/breakers, plug the left power cord into 20A grounded wall outlet to turn on Vac 2. Plug the right power cord into separate 20A grounded wall outlet to turn on Vac 1 and Pump.
- The amber light indicator on the switch plate will illuminate brightly when cords are plugged into two separate circuits. Do not use extension cords longer than 50 feet.
5. Turn on switches.
 - 1000DX, 1000DX-200, 1005DX models – Turn on Vac 1, Vac 2 and Pump switches.
 - 1001DX, 1001DX-200 and 1003DX – Turn on Vac 1, Vac 2 and Pump switches. Turn on Heater switch if heat is being used. Wait several minutes for water to heat. Heater switch has three positions: Off (middle); 1,000 watts using one heater (left); and 2,000 watts using two heaters (right). Red lights on panel display indicate watts selected: one light = 1,000 watts; two lights = 2,000 watts; no lights = heaters are off.
 6. 1003DX and 1005DX models – Prime Valve and Pressure Regulator are located on the lower front of the extractor. To prime the pump, turn the valve to the Prime position for 30 seconds, then turn horizontally to the Run position. Turn the Pressure Regulator to the left to decrease the water pressure. Turn to the right to increase water pressure. Level will be visible on the pressure gauge. Monitor while adjusting, using Pressure Gauge on Switch Panel.
 7. Begin cleaning. Make two dry passes to every wet pass. Work away from cords to avoid damage. To clean heavily soiled areas, repeat cleaning from a different direction.
 8. Use a foam control solution in the recovery tank to prevent motor damage and check for foam build-up in recovery and solution tanks.
 9. Empty the recovery tank as needed when the internal ball float automatically shuts off the vacuum. Attach the 45° drain elbow to the drain spout in back. Lift up the dump valve and empty tank.
 10. To relieve water pressure from the solution hose before disconnecting it, squeeze the tool's trigger five seconds after turning the power switches off.
 11. Once machine is off, unplug power cords. Remove solution and vacuum hoses. Empty the recovery tank by attaching the 45° drain elbow to the drain spout in back. Lift up the dump valve and empty tank.
 12. 1003DX and 1005DX models – Water remaining in the solution tank can be emptied by turning the Prime Valve to the right to move water into the recovery tank. Empty recovery tank.

After Use

1. Before storing machine, drain, rinse and dry tanks and vacuum hose of water and solution.
2. Store in a dry area in the upright position.
3. Open recover tank cover to promote air circulation.
4. Store indoors in a dry area. If storing in freezing temperatures, make sure the machine and solution system are completely drained and dry.

Maintenance Schedule

Latches are located in back to open tank for internal maintenance. To keep machine in good working condition, follow machine's daily and weekly maintenance procedures. Check valves and relief valves should be replaced annually.

Maintenance item	Daily	Once a week
Clean and inspect tanks.	x	
Clean and inspect hoses.	x	
Check and clean internal filters by twisting off, rinsing with clean water and replacing.	x	
Check power supply cable.	x	
Clean machine with all-purpose cleaner and cloth.	x	
Check spray nozzles.	x	
Flush solution system with Mytee® System Maintainer.		x
Remove and float shut-off screen from tank and clean. Simply pull off.		x
Inspect vacuum hoses for holes and loose cuffs.		x
Inspect spray pattern for clogging. If clogged, remove spray tips and soak them in a recommended liquid neutralizer for up to six hours. To remove spray tip, twist spray tip body counter-clockwise.		x
Lubricate wheels with water resistant oil.		x
Inspect machine for water leaks and loose hardware.		x

Trouble Shooting

There is no power.

1. Plug machine in proper outlet.
2. If using two cords, make sure each is plugged into a separate circuit.
3. Check circuit breaker. Reset circuit breaker, other items should not run on the same circuit as the machine. Outlet must be a 20-amp circuit.

Pump does not work properly

1. Snap quick disconnects firmly together.
2. Check solution tank; may be empty.
3. Jets clogged, remove jet and flush clean.
4. Filters clogged, remove filters and rinse clean with water.
5. Heater is blocked; flush out with Mytee's® System Maintainer.
6. If brass check valve is stuck, replace valve.
7. Check pump wire. May need to reconnect wire.
8. Switch plate may need to be replaced.
9. If pump motor brushes are worn, replace pump.

1001DX, 1001DX-200 or 1003DX heater does not work properly

1. If sensor mounted on the heater has popped, reset sensor by pushing in button.
2. Heating element may need to be replaced.

Vacuum motor does not work properly

1. Check that hose is tightly connected.
2. Close drain hose valve completely.
3. Secure the vacuum tank tightly.
4. If ball float is shut off, empty vacuum tank of all wastewater.
5. Make sure ball float is firmly installed on the elbow.
6. If water is coming out of the vacuum motor, use a low foaming detergent.
7. Clean upholstery tool or floor wand jets.

FAQs

Q: How much do the Speedster® Series extractors weigh and what are the dimensions?

A: All Speedsters

Machine Dimensions: 28" x 18 ¼" x 40"

Shipping Dimensions: 29 ½" x 19 ¼" x 46 ½"

1000DX – Machine Weight: 83 lbs.

Shipping Weight: 104 lbs.

1000DX-200 – Machine Weight: 83 lbs.

Shipping Weight: 104 lbs.

1001DX – Machine Weight: 94 lbs.

Shipping Weight: 124 lbs.

1001DX-200 – Machine Weight: 94 lbs.

Shipping Weight: 124 lbs.

1003DX – Machine Weight: 122 lbs.

Shipping Weight: 150 lbs.

1005DX – Machine Weight: 113 lbs.

Shipping Weight: 140 lbs.

Q: What comes standard with Speedsters™ extractors?

A: Hose hanger with four screws, two Cuff-Lynx™ Model Numbers: H141 Reducer and H110 Coupler Swivel, and 45° drain elbow.

Q: Does Mytee® recommend tools for this machine?

A: All upholstery tools and wands can be used with the Speedster® series.

Q: Is there anything I can do to increase the expected life of my machine?

A: Running the vacuum motors with the tank empty and lid off will allow excess moisture in the vacs to dry off. You should also run Mytee's® System Maintainer through the system to keep the hoses, pump, and heater clean and free of debris..

Warranty

MYTEE LIFETIME LIMITED WARRANTY POLICY

Mytee Products, Inc. endeavors to provide high quality products and product support to its customers and therefore backs up all of its new products purchased from Mytee Products Inc. ("Mytee") or any authorized Mytee distributor/service center with this lifetime limited warranty. This limited warranty begins on the date of the customer's purchase and is valid and available to the original purchaser with proof of purchase, and is not transferable. Mytee's products are for commercial use only and are not intended for personal, family or household uses.

HOUSING LIMITED LIFETIME WARRANTY: Mytee warrants for life that its rotationally-molded housings will be free from manufacturing defects. This warranty covers the cost of replacement or repair only and does not cover shipping or labor costs.

WEAR PARTS 90-DAY LIMITED WARRANTY: Mytee will replace all wear parts for 90 days from the date of original purchase. "Wear parts" are items which wear out as a result of usage or the passage of time and are consumed despite attempts to maintain them, such as gaskets, wheels, brass, cords, wires, electrical terminals, hoses, switches, thermostats, plastisol parts, filters, bearings, brushes, solenoids, o-rings, bulbs, heating elements, castors, or other parts deemed wear items in Mytee's sole discretion. This warranty covers the cost of replacement only and does not cover shipping or labor costs.

HOWEVER, OTHER THAN SET FORTH HEREIN, MYTEE GIVES NO WARRANTY, EXPRESS OR IMPLIED, AS TO DESCRIPTION, QUALITY, MERCHANTABILITY, FITNESS FOR ANY PARTICULAR PURPOSE, PRODUCTIVENESS, INFRINGEMENT, OR OTHER MATTER, OF ANY GOODS WHICH MYTEE SHALL SUPPLY. THERE ARE NO WARRANTIES WHICH EXTEND BEYOND THE DESCRIPTION ON THE FACE

HEREOF. MYTEE SHALL IN NO WAY BE RESPONSIBLE FOR THE PROPER USE AND APPLICATION OF THE GOODS. MYTEE NEITHER ASSUMES NOR AUTHORIZES ANY OTHER PERSON TO ASSUME FOR MYTEE ANY OTHER LIABILITY IN CONNECTION WITH THE SALE OF MYTEE'S GOODS. THIS LIMITED WARRANTY POLICY MAY BE CHANGED OR WITHDRAWN BY MYTEE AT ANY TIME WITHOUT NOTICE.

LIMITATION OF DAMAGES: THE REMEDY OF REPLACEMENT OR REPAIR OF ANY DEFECTIVE GOODS SHALL BE THE EXCLUSIVE REMEDY UNDER ANY WARRANTY MADE BY MYTEE, WHETHER EXPRESS OR IMPLIED. IN NO EVENT SHALL MYTEE BE LIABLE FOR ANY INCIDENTAL OR CONSEQUENTIAL DAMAGES, PROPERTY DAMAGES, OR PERSONAL INJURIES.

All limited warranties are void for, and Mytee does not warrant in any way, any product that evidences misapplication, improper installation, abuse, lack of maintenance, negligence in use or care, abnormal use, alteration of design, modification, use of incompatible or corrosive chemicals, use in a rental service, and/or servicing, installation of parts, or repairs by anyone other than Mytee or a Mytee authorized distributor or service center. Mytee may make changes in products it manufactures and markets at any time; these changes are made without obligation to change, retrofit, or upgrade any product previously sold or manufactured.

Mytee has no obligation to honor the limited warranties set forth herein unless the original purchaser, promptly upon discovering the warranty claim and prior to continuing to use the product, contacts Mytee or a Mytee authorized distributor or service center to describe the claim and to receive and follow instructions for documenting and resolving the claim. In addition, the purchaser must provide the product to which the claim applies to Mytee or a Mytee authorized distributor or service center for a thorough inspection. In addition, the purchaser must provide/return the product intact, unmodified, with all of its original parts.

If any provision or portion of this limited warranty policy is found to be unenforceable, then the remaining provisions and portions shall remain valid and enforceable. If any provision or portion of this limited warranty policy is found to be limited by law, then that provision or portion shall be construed to make it effective within the bounds of law. For example, if there are legal limitations on the duration of warranties, the warranties made herein shall be construed to have the minimum duration required by law, or, if there are legal limitations of exclusion of remedies, the exclusions made herein shall be construed to apply to the fullest extent possible without violating the law.

The validity, construction and performance of this warranty policy shall be governed by the laws of the State of California, without respect to conflicts of laws principles. The exclusive jurisdiction of any legal action arising from or related to this warranty policy shall be in the State of California and no legal action shall be commenced elsewhere.

Return Material Authorization Procedure

It is the responsibility of any Authorized Service Center (ASC) or Distributor with written authorization to ensure the Customers equipment is repaired as soon as possible. Only Mytee Products Inc. or it's authorized dealers with written authorization, service centers, and agents may make warranty repairs on these products. All others do so at their own risk and expense.

The Distributor must follow Mytee Products, Inc. standard RMA procedure:

1. When a repair falls within the Warranty time period for a piece of equipment, the Distributor will fill out a RMA/Warranty claim form. This form will act as a repair order to replace any defective parts.
2. All defective parts must be returned to Mytee Products, Inc. with the RMA/claim form for evaluation at the customer's expense. This shipping is non-refundable. All warranty claims are subject to an evaluation by Mytee Products, Inc. to determine if warranty will be approved. Any credit for

repair and/or parts will only be issued upon evaluation and approval from Mytee Products, Inc.

3. When Warranty is approved, the Distributor's account will be credited for the replacement part(s). Mytee Products, Inc. will ship the warranted replacement part(s) to the Distributor prepaid. If Warranty is denied the Distributor's account will not be credited for any parts sent for this claim.

NOTES

NOTES



Mytee Products Inc.
13655 Stowe Dr.
Poway, Ca. 92064
www.mytee.com
PH 858.679.1191
FX 858.679.7814

© 2010 Mytee Products Inc.
Printed in the U.S.A.