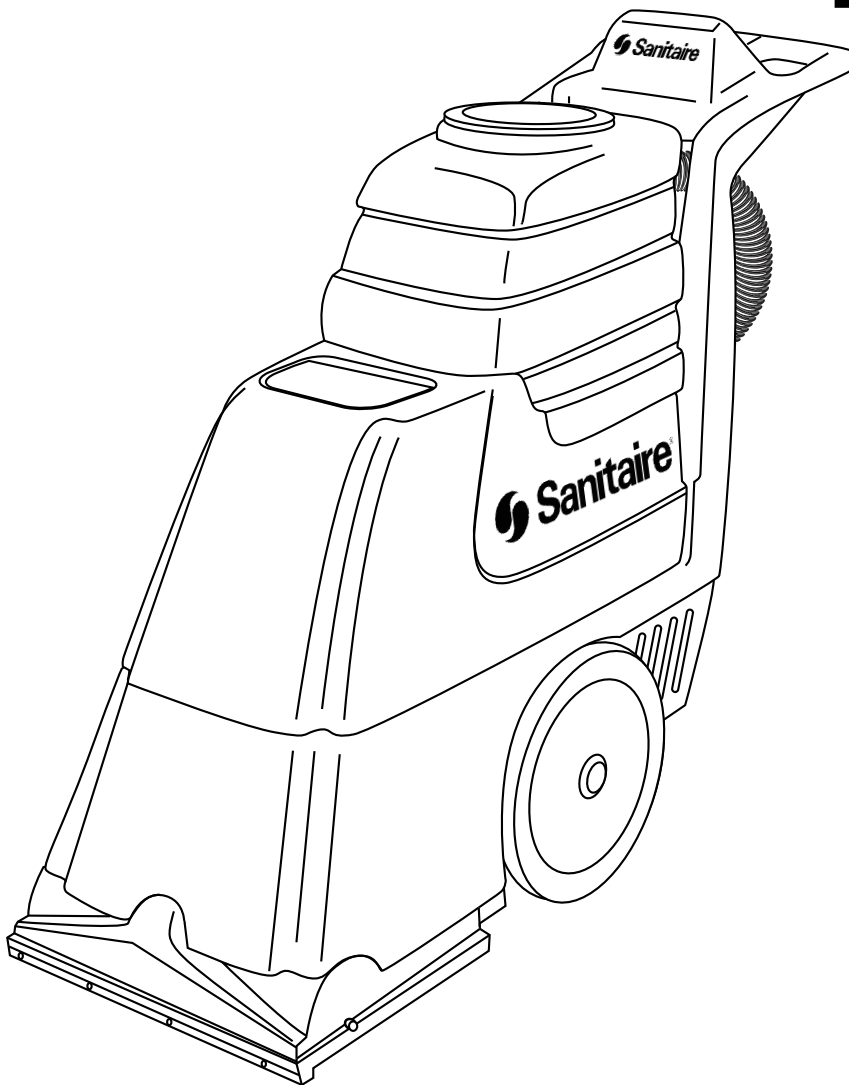




Sanitaire®

Commercial Carpet Extraction Cleaner Owner's Guide SC6090 Series



Index	
Important Safeguards.....	2
Service Information	3
Identify Parts	3
Use	4
Trouble Shooting	5
Warranty	5

www.sanitairevac.com

To view the **repair parts list**, go to www.sanitairevac.com or call 1-800-800-8975 for a copy.

For location of nearest **Sanitaire Warranty Station** or service information call 1-800-800-8975.

IMPORTANT SAFEGUARDS

When using an electrical appliance, basic precautions should always be followed, including the following:

READ ALL INSTRUCTIONS BEFORE USING THIS VACUUM CLEANER.

WARNING

To To reduce the risk of fire, electric shock, or injury.

- Do not immerse product. Use only on surfaces moistened by cleaning process.
- Do not use outdoors or expose to rain.
- Use only commercially available carpet and upholstery cleaners intended for machine application.
- **Do not leave the Extractor when plugged in.** Turn OFF the switch and unplug the electrical cord when not in use and before servicing.
- Do not allow to be used as a toy. Close attention is necessary when used by or near children.
- Use only as described in this manual. Use only manufacturer's recommended attachments.
- Do not use with damaged cord or plug. If the Extractor is not working properly, has been dropped, damaged, left outdoors, or dropped into water, return it to a service center immediately.
- Do not pull or carry by cord, use cord as a handle, close a door on cord, or pull cord around sharp edges or corners. Do not run the Carpet Shampooer/Extractor over cord. Keep cord away from heated surfaces.
- Connect to a properly grounded outlet only (refer to Grounding Instructions).
- Do not use extension cords or outlets with inadequate current carrying capacity.

- Turn off all controls before unplugging.
- Do not unplug by pulling on cord. To unplug, grasp the plug, not the cord.
- Do not handle plug or Extractor with wet hands.
- Do not put any object into openings. Do not use with any opening blocked; keep free of dust, lint, hair, and anything that may reduce airflow.
- This Extractor creates suction and also contains a moving agitator brush. Keep hair, loose clothing, fingers, and all parts of body away from openings and moving parts.
- Do not pick up anything that is burning or smoking, such as cigarettes, matches, or hot fireplace or barbecue ashes.
- Do not use without ball float and cage in place.
- Use extra care when cleaning on stairs.
- If the machine tips over during use, shut it off immediately, set it upright, and wait for the motor to stop completely. This allows the float to return to normal position and permits proper airflow through the cleaner.
- Do not use to pick up gasoline, acetone, perfumes, colognes, paint thinners and other flammable liquids or use in places where they may be present.
- Operate and store indoors in an area above 32°F where the machine will not freeze.
- Keep your work area well lighted.

SAVE THESE INSTRUCTIONS

Grounding Instructions

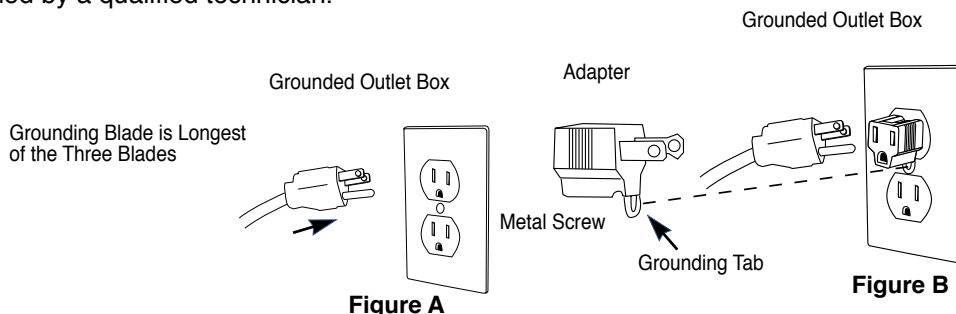
This appliance must be grounded. If it should malfunction or breakdown, grounding provides a path of least resistance for electric current to reduce the risk of electric shock. This appliance is equipped with a cord having an equipment-grounding conductor and grounding plug. The plug must be plugged into an appropriate outlet that is properly installed and grounded in accordance with all local codes and ordinances.

DANGER

Improper connection of an equipment-grounding conductor can result in risk of electric shock. Check with a qualified electrician or service person if you are in doubt as to whether the outlet is properly grounded. Do not modify the plug provided with the appliance. If it will not fit the outlet, have proper outlet installed by a qualified technician.

This appliance is for use on a nominal 120 volt circuit and has a grounding plug that looks like the plug illustrated in Figure A. A temporary adapter which looks like the adapter illustrated in Figure B may be used to connect this plug to a two-pole receptacle, as shown, if a properly grounded outlet is not available. The temporary adapter should be used only until a properly grounded outlet, Figure A, can be installed by a qualified electrician. The green colored rigid ear, lug, or the like extending from the adapter must be connected to a permanent ground such as a properly grounded outlet box cover. Whenever the adapter is used, it must be held in place by a metal screw.

NOTE: In Canada, the use of a temporary adapter is not permitted by the Canadian Electrical Code.



GENERAL INFORMATION

Automatic Suction Shut-Off

NOTE: Use the vacuum in the upright position. If the cleaner should tip, the automatic suction shut-off turns off the suction.

The automatic suction shut-off functions when the tank is full of liquid. As the tank fills, the ball float (inside the cage) rises until it seats itself against the motor inlet. This shuts off the suction causing the motor sound to become higher in pitch. When this happens, empty the tank.

The automatic suction shut-off also functions if the cleaner tips over. To continue use, turn cleaner off and set it upright. Wait a few seconds to allow motor to come to a complete stop so the ball drops. Restart the motor.

Use this vacuum for wet pickup only.

Service Information

The instructions in this booklet serve as a guide to routine maintenance. For additional service information, telephone our toll free number for the nearest Sanitaire Authorized Warranty Station. **You should know the model, type and serial numbers when you call:**

USA: 1-800-800-8975
Mexico: 5670-6169
Canada: 1-800-800-8975


If you prefer, you can write to Electrolux Home Care Products North America, Service Division, 807 North Main Street, Bloomington, Illinois 61701, USA. In Canada, write to Electrolux Home Care Products Canada, 866 Langs Drive, Cambridge, Ontario N3H 2N7. Refer to The Sanitaire Commercial Equipment Warranty for complete service information.



DO NOT OIL the motors at any time. Bearings have a seal and are permanently lubricated.

Rating Plate

The model, type and serial numbers are on the rating plate, located on the back of the unit. For prompt and complete service information, always refer to these numbers when inquiring about service.

MODEL	TYPE	SERIAL NO.
VOLTS	AMPS.	HERTZ
SERVICE INFORMATION: 1-800-800-8975		
 BLOOMINGTON, ILLINOIS 61701		

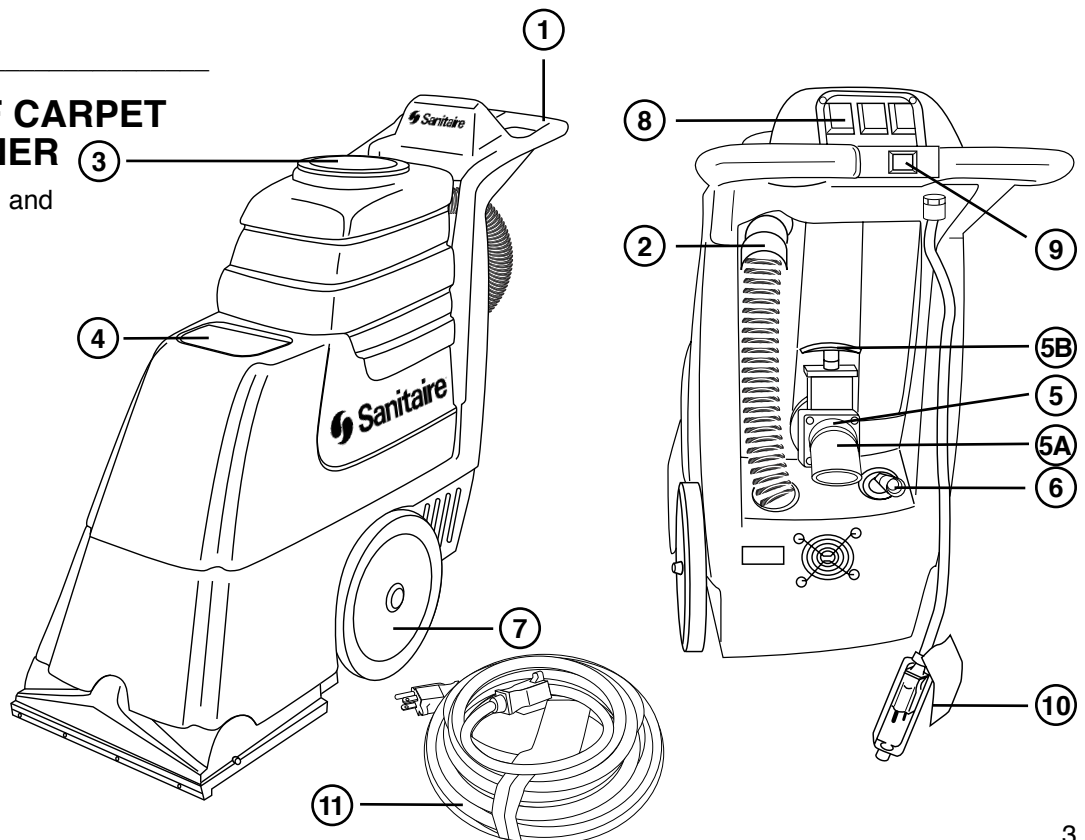
Model and Type: _____

Serial No. _____

IDENTIFY PARTS OF CARPET EXTRACTOR CLEANER

Unpack powercord from carton and remove Extractor.

1. Handle
2. Hose Inlet
3. Recovery Tank Lid
4. Solution Tank Lid
5. Drain Outlet
 - A. Drain Outlet Diverter
 - B. T-Handle
6. Solution Hose Connection (with optional wand)
7. Rear Wheels
8. On/Off Switches
 - A. Suction Motor
 - B. Pump Motor
 - C. Brush Roll Motor
9. Cleaning Solution Button
10. Power Cord
11. Extension Cord



HOW TO USE

ASSEMBLY

- You will find the drain outlet diverter, a black plastic 45-degree elbow inside the machine. Place this elbow on the drain valve on the rear of the unit. The elbow will direct the flow of recovered water downward.

Fill Solution Tank

CAUTION: Use only commercially available carpet and upholstery cleaners intended for machine applications.

Mix hot water and approved extractor detergent in a clean bucket. Avoid mixing the chemical and water in the solution tank as the chemical does not dissolve completely and will clog your solution tank filter. Clogging the filter will starve the pump of fluid and can shorten the life of the pump considerably. (Follow recommended mix ratio on extraction detergent label.)

NOTE: Do not overfill.

Connect Power Cord

CAUTION: To reduce the risk of electric shock, do not lay cord on any wet surfaces.

- Attach power cord to extension cord provided.
- Plug extension cord into outlet.

Power Switches

The power switch is on the handle.

- Wear ear protection (not provided) if operating the cleaner for a prolonged period of time.
- Turn all three switches on.
- You will hear and feel the brush rotating in the machine.

Prime Pump

- The 100-PSI pump MUST be primed. To achieve this, pour enough water into the solution tank to cover the intake filter with at least 3 inches of water. With the machine turned on and the pump switch in the ON position, press the GREEN button between the handles until the air in the line is emptied and the jets are spraying evenly. After priming the pump, fill the solution tank with your water/solution mix.

Begin Cleaning

- This unit cleans only while pulling backwards. To push, slightly tip the front of the unit off the surface of the carpet and roll forward. The brush roll should contact the carpet only on the backward stroke. To clean an area press the GREEN spray button and pull the machine backwards. Keep unit moving at a slow, steady pace. You can go over the area again without pressing the GREEN spray button to vacuum up additional solution from the carpet.
- You will notice the carpet you just cleaned will be damp. This is normal.

Tips:

For best results vacuum area to be cleaned before using the carpet cleaner. If used to clean up spills or messes, clean up as much of the spill or mess using paper towels before final cleaning with the cleaner. If used on fine fabrics or upholstery, test for color fastness in an inconspicuous place before cleaning. Do not leave unit running in one spot. Carpet damage could result.

Automatic Shut-Off

NOTE: Always use the wet vacuum cleaner in the upright position. If cleaner tips over, the suction automatically shuts off.

If the cleaner tips over:

- Turn off the power switch and set the cleaner upright.
- Wait a few seconds for the motor to come to a complete stop.
- Restart the motor.

When the tank is full:

- As the tank fills with liquid, the ball float (inside the cage) rises until it seats itself against the bottom of the motor.
- The motor sound becomes a high pitch sound.
- The shut-off stops the suction.
- Turn off the power switch.
- Empty the tank (instructions follow).

Empty Tank

CAUTION: Turn off the power switch and unplug electrical cord to service.

- Empty contents into a suitable drain by pulling the T-handle on the waste valve. (See page 3.)
- Use special care when emptying full tanks with liquids. Complete opening of the waste valve can result in a sudden rush of liquid.
- Close T-handle on the waste valve to continue cleaning.

Clean and Store

NOTE: Turn off the power switch and unplug electrical cord before cleaning tank.

- Empty tank of all liquid and thoroughly rinse inside before storing.
- Clean and dry tank and all accessories.
- Store indoors in a cool, dry area.

OPTIONAL EXTRACTOR WAND ACCESSORY KITS

ASSEMBLY

Attach Vacuum Hose Coupling

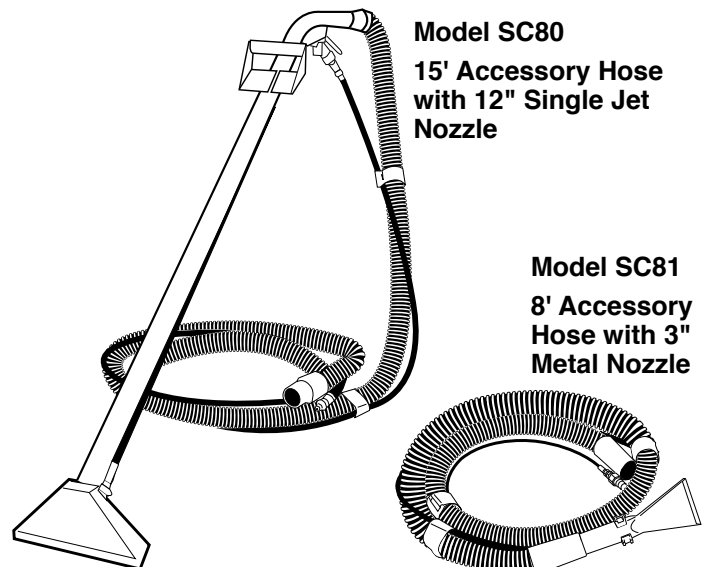
- Disconnect hose from hose inlet.
- Push the accessory hose coupling into the hose inlet.
- Give a slight twist to secure.

Attach Solution Hose Fitting

- Make sure the quick disconnects snap together firmly. As you do this, always inspect hoses for cracks, fraying or leaks. Do not use if hoses are damaged.

Begin Cleaning

- Turn on the vacuum switch and the pump switch. With the cleaning nozzle and hose in hand you may begin cleaning. By pulling the solution trigger, you will disperse the solution onto the desired area. Because the vacuum is on, the fluid will quickly be sucked back into the cleaning nozzle. You will notice that the area you have just cleaned will be damp. This is normal.



TROUBLESHOOTING

SYMPTOM: Unit will not turn on.

Problem: Not plugged in.
Solution: Plug machine in proper outlet.

Problem: Circuit breaker has popped.
Solution: Reset circuit breaker. Make sure no other items are running on the same circuit as machine. Outlet must be a 20-amp circuit.

Problem: Power cord has become disconnected from extension cord.
Solution: Reattach power cord to extension cord.

SYMPTOM: Pump is not running properly.

Problem: Power cord and extension cord are not completely locked together.
Solution: Snap firmly together.

Problem: Jets are clogged.
Solution: Clean jet with soft wire brush or remove jet and flush clean.

Problem: The solution tank is empty.
Solution: Fill the solution tank up with a pre-mixed detergent.

Problem: Pump is pulsating.
Solution: Tighten all hoses. Check for leaks.

SYMPTOM: Vacuum motor not working properly.

Problem: Hose not connected tightly to wand or machine.
Solution: Connect hose tightly.

Problem: Hose is clogged with hair, carpet fibers and/or debris.
Solution: Clean hose.

Problem: Drain plug is not shut completely.
Solution: Close drain plug completely.

Problem: Vacuum tank lid is not on tightly.
Solution: Secure the vacuum tank lid on tightly.

Problem: Vacuum hose is cracked or split.
Solution: Replace vacuum hose.

Problem: Water is coming out of the vacuum motor.
Solution: Use a low foaming detergent.

SYMPTOM: Carpet not being scrubbed.

Problem: Brush roll not turning.
Solution: Turn on switch at handle. Check brush roll drive belt.

SANITAIRE COMMERCIAL EQUIPMENT LIMITED WARRANTY Carpet and Spot Cleaners (Excludes Vacuums)

Your equipment, which has been manufactured, tested and inspected with carefully specified engineering requirements, is warranted to be free from defects in material and workmanship. This Limited Warranty is, however, subject to the following qualifications, conditions and limitations which are set forth to provide you and all users of the equipment with information concerning the duration, extent, availability and applicability of the Limited Warranty, the procedure to be taken to obtain its performance, and other information concerning the Limited Warranty policy.

The Limited Warranty is extended to original end user as follows:
One year parts replacement and 1 year service labor warranty.

This Limited Warranty will not cover damage attributable to the following:

- (1) Improper, unreasonable or negligent use or abuse of the equipment.
- (2) Abrasions or punctures of the equipment.

The start date of the Limited Warranty coverage shall be the purchase date of the original end user or six months from the date the machine was shipped from the Factory, whichever comes first.

PARTS OF EQUIPMENT NOT COVERED BY THE LIMITED WARRANTY

Certain parts of equipment require replacement in the ordinary course of use due to normal wear by reason of their characteristics. Normal wear items such as gaskets, wheels, cords, hoses, switches, filters, bearings, carbon brushes, solenoids, o-rings, thermostats, electrical terminals and casters are excluded from the Limited Warranty.

EXCEPTIONS AND EXCLUSIONS FROM THE LIMITED WARRANTY

This equipment is required to be used on electric current as indicated on the data plate. Otherwise damage, defects, malfunctions or other failure of the equipment arising from use on electric current not as indicated are excepted and excluded from this Limited Warranty. Defects, malfunctions, failure or damage of the equipment caused by improper, unreasonable or neglectful use or abuse while in possession of the purchaser are likewise excluded from this warranty. If repair is done on your equipment by anyone other than those designated as an authorized Warranty Center, THE MANUFACTURER at its sole option, may determine that this warranty will not apply and the reimbursement for such repair will not be made.

PROCEDURE TO BE TAKEN TO OBTAIN PERFORMANCE OF LIMITED WARRANTY REPAIR

To secure repair of the equipment or any warranted parts under this Limited Warranty, the following procedure should be taken. The inoperative equipment or warranted parts, together with satisfactory evidence of the purchase date, must be delivered, with shipping and delivery charges prepaid, to one of the following:

- 1) The dealer from whom purchased;
- 2) Any authorized service station.

If you are unable to locate any of the foregoing, you may write or otherwise communicate to THE MANUFACTURER before repair service is performed by anyone else. In such event, THE MANUFACTURER will provide either the location of a closely available authorized distributor service department, or authorized warranty station or other factory instructions. Upon compliance with the above procedure, all warranted defects will be repaired, at no additional charge or costs to the customer, and the repaired product returned to the customer. All shipping charges will be the responsibility of the product owner. In following the procedures set forth, PLEASE MAKE CERTAIN to state the model, type and serial number as shown on the data plate of the equipment.

REPLACEMENT

In the event of a defect, malfunction or failure of your equipment or any warranted part to conform with this warranty, THE MANUFACTURER may, at its sole option and own expense, replace the equipment or any warranted part with another new identical or reasonably equivalent model or part in lieu of repairing the defect.

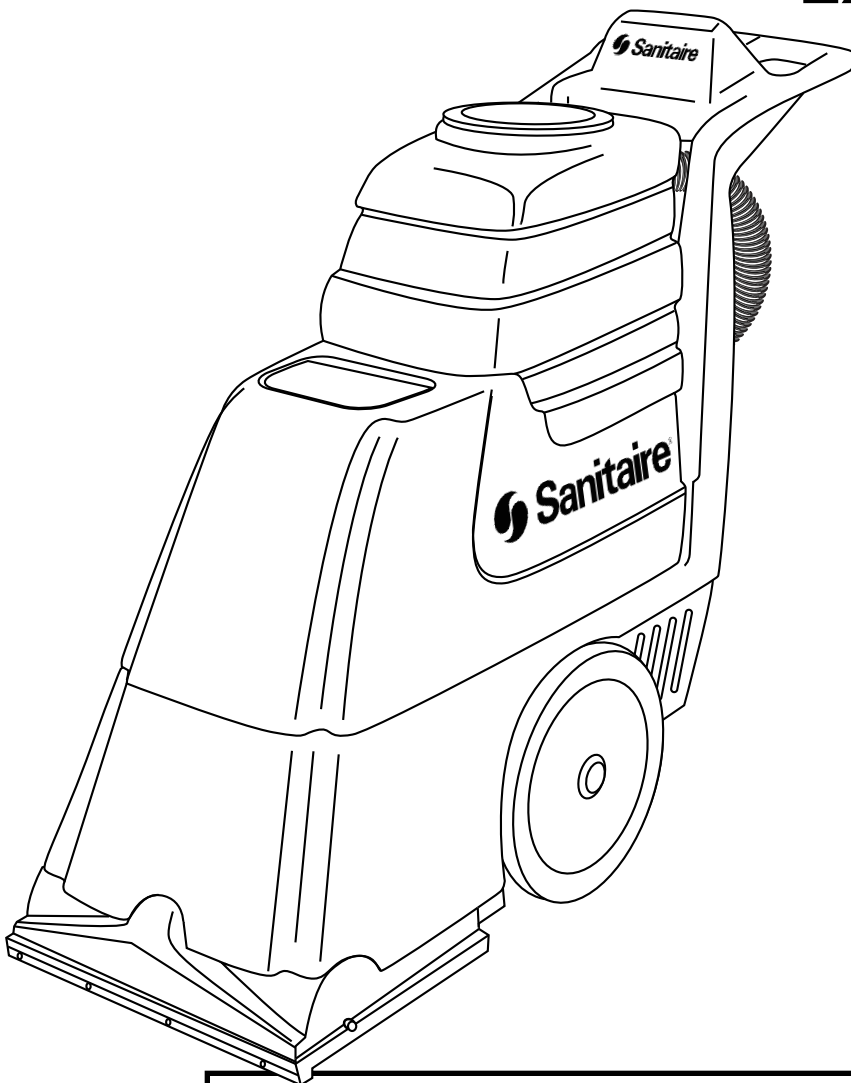
NO REFUND OF PURCHASE PRICE

THE MANUFACTURER will not, as a matter of its Limited Warranty policy, refund the customer's purchase price.

Be certain that the Warranty Station is "Sanitaire Authorized." For the location of the nearest Sanitaire Authorized Warranty Station or for service information, see us a www.sanitairevac.com or telephone toll free: 1-800-800-8975.

Sanitaire®

Guía del propietario de la Aspiradora Extractora Comercial Serie SC6090



Índice

Importante para su seguridad	2
Información sobre servicio de repuestos y partes	3
Identifique las partes	3
Uso	4
Resolviendo problemas	5
Garantía	5

www.sanitairevac.com

Para ver y obtener una copia de la **lista de partes para reparaciones**, vaya a www.sanitairevac.com o llame al 1-800-800-8975.

Para obtener la dirección del centro más cercano que atiende cuestiones de **Garantía de Sanitaire** o del servicio de reparaciones y partes llame al 1-800-800-8975.

IMPORTANTE PARA SU SEGURIDAD

Hay precauciones básicas a tomar siempre que se usa un aparato eléctrico, incluyendo las siguientes:

LEA TODAS LAS INSTRUCCIONES ANTES DE USAR ESTA ASPIRADORA

PRECAUCIÓN

Para reducir el riesgo de incendio, descarga eléctrica o lesiones:

- No sumerja el producto. Úselo únicamente sobre superficies humedecidas por el proceso de limpieza.
- No lo use a la intemperie ni lo exponga a la lluvia.
- Utilice únicamente limpiadores comerciales de alfombras y tapizados que son para ser aplicados a máquina.
- **No deje enchufado el Extractor cuando no lo esté usando.** Apague el interruptor de corriente (OFF) y desenchufe el cordón eléctrico cuando no esté en uso y antes de limpiarla.
- No deje que se use como un juguete. Es necesario prestarle especial atención al ser usada por niños o cerca de ellos.
- Use sólo como lo indica este manual. Use sólo los accesorios recomendados por el fabricante.
- No lo use con el cordón o enchufe en mal estado. Si el Extractor no funciona como debe, se ha caído, dañado, dejado a la intemperie o dejado caer en agua, devuélvalo al centro de servicio de reparaciones y partes inmediatamente.
- No lo jale ni lo lleve del cordón, ni use el cordón como un mango, no cierre puertas sobre el cordón, ni jale el cordón de modo que roce bordes filosos o esquinas. No pase el Extractor/Limpiador de Alfombras sobre el cordón. Evite la proximidad del cordón a superficies calientes.
- Conéctelo únicamente a un tomacorriente con conexión a tierra (refiérase a las instrucciones para conexión a tierra).
- No use cordones eléctricos extras o tomacorrientes con menos capacidad de corriente que la necesaria.

- Apague todos los controles antes de desenchufarlo.
- No lo desenchufe jalando del cordón. Para desenchufarlo, tome el enchufe, no el cordón.
- No toque el enchufe ni el Extractor con las manos húmedas.
- No ponga ningún objeto en las aberturas. No lo use si cualquiera de las aberturas está bloqueada; manténgalo libre de polvo, pelusa, cabello y cualquier cosa que pueda reducir el paso del aire.
- Este Extractor crea succión. Mantenga cabello, ropa suelta, dedos y todas las partes del cuerpo lejos de las aberturas y las partes móviles.
- No aspire nada que se esté quemando o humeando, como ser: cigarrillos, fósforos (cerillos) o cenizas calientes de la chimenea o del asador.
- No lo use sin el flotador y el armazón en su lugar.
- Tenga cuidado especial al limpiar escalones.
- Si la máquina se cae de costado durante su uso, apáguela inmediatamente, vuelva a enderezarla, y espere que el motor se detenga completamente. Esto permite que el flotador vuelva a su posición normal y que pase el aire por la aspiradora.
- No la use para aspirar líquidos inflamables o combustibles tales como gasolina, ni en lugares donde puede haberlos.
- No la use para recoger gasolina, acetona, perfumes, colonias, diluyentes de pintura y otros líquidos inflamables ni la use en lugares donde pudiera haberlos.
- Opérela y guárdela bajo techo en un área de más de 32 F (0 C) donde la máquina no se congele.
- Mantenga bien iluminada el área de trabajo.

GUARDE ESTAS INSTRUCCIONES

INSTRUCCIONES PARA HACER CONEXIÓN A TIERRA

Este electrodoméstico debe estar conectado a tierra. Si falla o se descompone, la conexión a tierra brinda un paso de menor resistencia para la corriente eléctrica con el fin de reducir el riesgo de una descarga eléctrica. Esta máquina viene equipada con un cordón que tiene un conductor el cual conecta el equipo a tierra y un enchufe con conexión a tierra. El enchufe debe insertarse en un tomacorriente apropiado que esté correctamente instalado y conectado a tierra en conformidad con los códigos y ordenanzas locales.

PELIGRO

La conexión incorrecta del conductor que conecta el equipo a tierra puede significar un riesgo de descarga eléctrica. Consulte a un electricista o personal de servicio de reparaciones y partes calificado si tiene dudas con respecto a que el tomacorriente esté conectado a tierra correctamente. No modifique el enchufe que viene con la aspiradora. Si no entra en el tomacorriente, busque un electricista calificado para que instale el tomacorriente correcto.

Este electrodoméstico es para ser usado con un circuito nominal de 120 voltios y tiene un enchufe con conexión a tierra que se asemeja al adaptador en la Ilustración A. Se puede usar un adaptador temporario que se asemeja al adaptador que aparece en la Ilustración B para conectar este enchufe a un receptáculo de dos polos, tal como se ilustra, si no se cuenta con un tomacorriente con conexión a tierra. El adaptador temporario debe ser usado únicamente hasta que un electricista calificado pueda instalar un tomacorriente conectado correctamente a tierra, Figura A. La lengüeta verde, oreja o cosa similar que sobresale del adaptador debe ser conectada con una conexión a tierra permanente, tal como la tapa de una caja tomacorriente correctamente conectada a tierra. Siempre que se use el adaptador, se debe fijar en su lugar con un tornillo de metal.

NOTA: En Canadá, el Código Canadiense de Electricidad no permite el uso de adaptadores temporarios.

El diente con conexión a tierra es el más largo de los tres

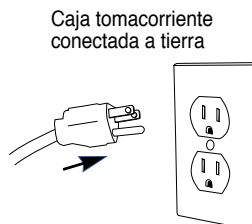


Figura A

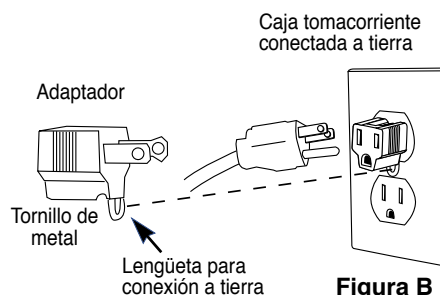


Figura B

INFORMACIÓN GENERAL

Corte automático de succión

NOTA: Use la aspiradora en la posición vertical. Si se cae de costado, el corte automático de succión apaga la succión.

El corte automático de succión funciona cuando el tanque de recuperación está lleno de líquido. Cuando se llena el tanque, el flotador (dentro del armazón) sube hasta que corta la succión provocando que el motor tenga un sonido más agudo. Cuando sucede esto, vacíe el tanque.

El corte automático de succión también entra en funcionamiento si la aspiradora se cae de costado. Para continuar usándola, apague la aspiradora y vuelva a enderezarla. Espere unos segundos para permitir que el motor se detenga completamente y baje el flotador. Vuelva a prenderla.

Use esta aspiradora únicamente para aspirar líquidos.

Información sobre servicio de reparaciones y partes

Las instrucciones en este manual son una guía para el mantenimiento diario. Para obtener información adicional sobre la oficina autorizada de garantía de Sanitaire/Eureka, llame a nuestro número de teléfono gratuito. Debe saber los números de modelo, tipo y serie cuando llama:

USA: 1-800-800-8975

México: 5670-6169

Canadá: 1-800-800-8975

Si lo prefiere, puede escribirnos a: Electrolux Home Care Products North America, Service Division, 807 North Main Street, Bloomington, Illinois 61701, USA. En Canadá escriba a Electrolux Home Care Products North America, 866 Langs Drive, Cambridge, Ontario N3H 2N7. Refiérase a la Garantía de Sanitaire donde encontrará información completa sobre el servicio de reparaciones y partes



NUNCA PONGA ACEITE EN EL MOTOR. Los cojinetes tienen un sello y están permanentemente lubricados.

Placa de datos

Los números de modelo, tipo y serie se encuentran en la placa de datos, localizada en la parte trasera de la máquina. Cuando llame por cualquier asunto relacionado con el servicio de reparaciones y partes, siempre refiérase a estos números

Modelo y Serie: _____

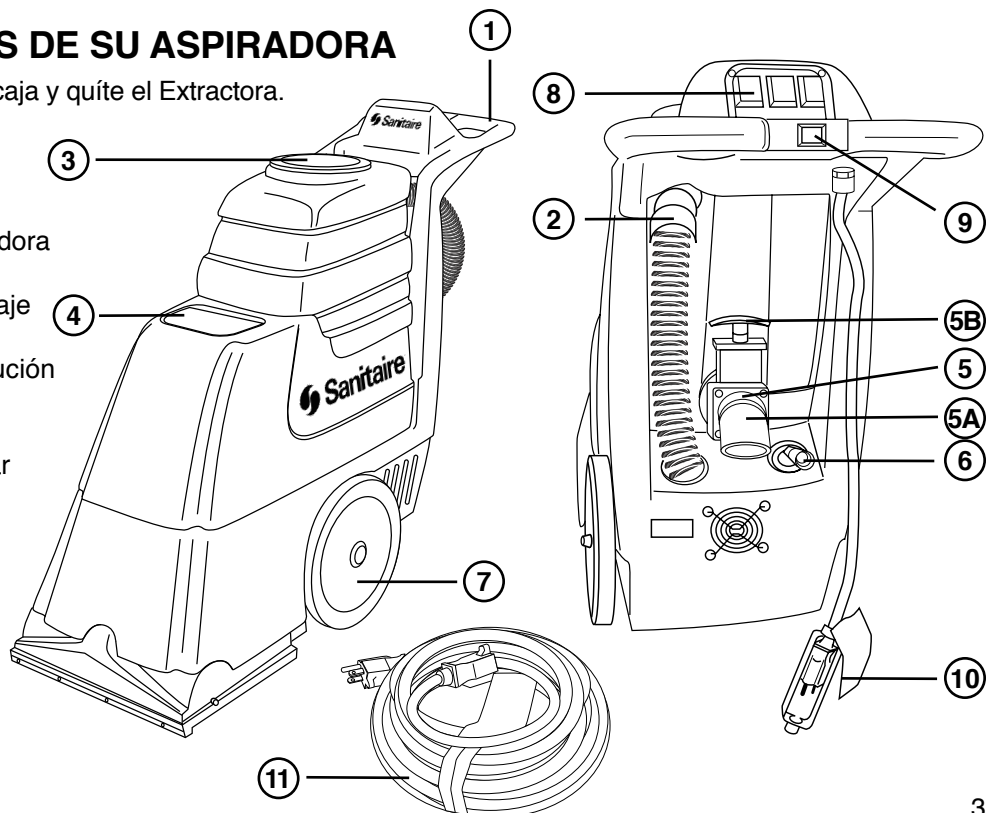
No. de Serie: _____

MODEL	TYPE	SERIAL NO.
VOLTS	AMPS.	HERTZ
SERVICE INFORMATION: 1-800-800-8975		
BLOOMINGTON, ILLINOIS 61701		

IDENTIFIQUE LAS PARTES DE SU ASPIRADORA

Desempaque el cordón eléctrico de la caja y quite el Extractora.

1. Mango
2. Entrada de la manguera
3. Tapa del tanque de recuperación
4. Tapa del tanque de solución limpiadora
 - A. Dispositivo para desviar el drenaje
 - B. Manija "T"
5. Salida del drenaje
 - A. Motor de succión
 - B. Motor de la bomba
 - C. Motor del cepillo circular
6. Manguera de conexión de la solución (con tubo opcional)
7. Ruedas traseras
8. Interruptores para prender y apagar (OFF/ON)
 - A. Motor de succión
 - B. Motor de la bomba
 - C. Motor del cepillo circular
9. Botón para la solución limpiadora
10. Cordón eléctrico
11. Cordón extra



CÓMO USARLA

ARMADO

- Dentro de la máquina a encuentra un dispositivo para desviar el drenaje, un codo plástico negro de 45 grados. Coloque este codo en la válvula del drenaje en la parte trasera de la máquina. El codo enviará hacia abajo el agua recuperada.

Llene el tanque de solución

PRECAUCIÓN: Utilice únicamente limpiadores comerciales de alfombras y tapizados que son para ser aplicados a máquina.

Mezcle agua caliente y el detergente extractor aprobado en un balde limpio. Evite mezclar el producto químico y el agua en el tanque para la solución ya que el producto químico no se disuelve completamente y obstruiría el filtro de su tanque de solución limpiadora. Obstruir el filtro hará que le falte líquido a la bomba y puede acortar considerablemente la vida de la bomba. (Siga las proporciones de mezcla recomendadas en la etiqueta del detergente extractor.)

NOTA: No lo llene demasiado.

Conecte el cordón eléctrico

PRECAUCIÓN: A fin de reducir el riesgo de una descarga eléctrica, no coloque el cordón en ninguna superficie mojada.

- Conecte el cordón eléctrico que viene incluido.
- Enchufe el cordón en un tomacorriente.

Interruptores de corriente

Los interruptores de corriente se encuentran sobre el mango.

- Use protectores de oídos (no incluidos) si usa la aspiradora durante un tiempo prolongado.
- Prenda los tres interruptores.
- oirá y sentirá al cepillo girando en la máquina.

Cebe la bomba

- La bomba de 100-PSI TIENE QUE SER cebada. Para lograrlo, eche en el tanque de solución suficiente agua para cubrir el filtro de entrada con un mínimo de 3 pulgadas (8 cm) de agua. Teniendo prendida la máquina y el interruptor de la bomba en la posición prendida (ON), oprima el botón VERDE entre los mangos hasta vaciar el aire en la línea y los surtidores están largando un rociado parejo.

Empiece a limpiar

- Esta máquina limpia únicamente mientras se la jala para atrás. Para empujarla, incline levemente el frente de la máquina de modo que no toque la alfombra y hágala rodar hacia adelante. El cepillo circular debe entrar en contacto con la alfombra únicamente en la pasada hacia atrás. Para limpiar un área oprima el botón VERDE de rociar y jale la máquina hacia atrás. Mantenga la máquina en movimiento a un rito lento, constante. Puede volver a pasar sobre el área sin oprimir el botón VERDE de rociar a fin de aspirar solución adicional de la alfombra.
- Notará que el área que acaba de limpiar está húmeda. Esto es normal.

Sugerencias:

Para obtener mejores resultados, pásele una aspiradora el área a limpiar antes de usar la limpiadora de alfombras. Si la usa para limpiar sustancias que se han derramado, absórbalas lo más posible con toallas de papel antes de dar una limpieza final con la limpiadora. Si se usa sobre telas o tapizados finos, antes de limpiarlos haga una prueba en un lugar que no se note para ver si no destiñen. No deje andando la máquina en un mismo lugar. Esto podría dañar la alfombra.

Corte automático

NOTA: Siempre use la aspiradora mojada en la posición vertical. Si la aspiradora se cae de costado, la succión se corta automáticamente.

Si la aspiradora se cae de costado:

- Apague ambos interruptores y enderece la aspiradora.
- Espere unos segundos para que el motor se detenga completamente.
- Vuelva a prender el motor.

Cuando el tanque está lleno:

- A medida que el tanque se va llenando de líquido, el flotador (dentro del armazón) sube hasta asentarse contra la parte inferior del motor.
- El sonido del motor se hace más agudo.
- El corte detiene la succión.
- Apague el interruptor de corriente.
- Vacíe el tanque (instrucciones a continuación).

Vacíe el tanque

PRECAUCIÓN: Apague el interruptor de corriente y desconecte el cordón eléctrico para limpiarlo.

- Vacíe el contenido en un drenaje apropiado jalando de la manija "T" arriba de la portilla del drenaje. (pagina 3)
- Tenga especial cuidado cuando vacíe tanques llenos de líquidos. Abrir completamente la válvula del drenaje puede resultar en una salida súbita de líquido.
- Cierre la válvula de la manija "T" para seguir limpiando.

Limpié y guarde

NOTA: Apague el interruptor de corriente y desconecte el cordón eléctrico antes de limpiar el tanque.

- Vacíe el tanque sacándole todo el líquido y enjuague a fondo el interior antes de guardar la aspiradora.
- Limpie y seque el tanque y todos los accesorios.
- Guarde bajo techo en un área fresca y seca.

PAQUETES OPCIONALES DE ACCESORIOS PARA EL TUBO EXTRACTOR

ARMADO

Acople el acoplamiento de la manguera aspiradora

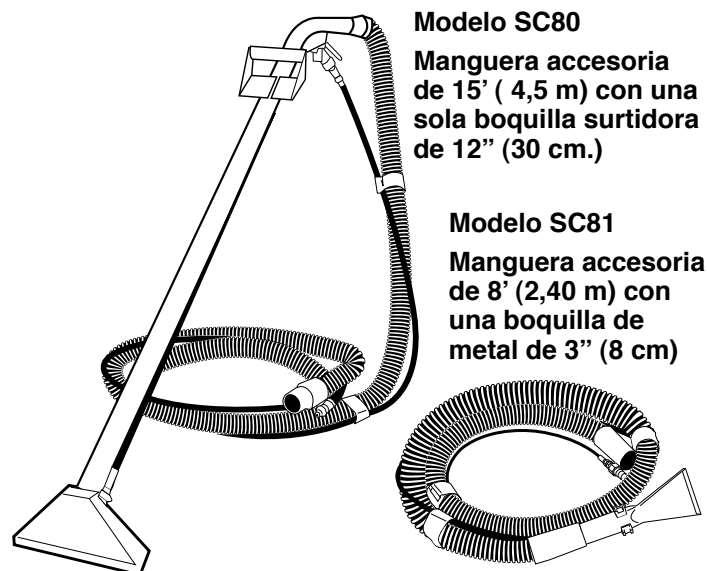
- Desconecte la manguera de la entrada de la manguera.
- Empuje el acoplamiento de la manguera dentro de la entrada de la manguera.
- Hágalo girar ligeramente para asegurarlo.

Acople la abrazadera de la manguera de la solución

- Asegúrese de que las conexiones rápidas queden firmemente encajadas la una con la otra. Siempre que hace esto, inspeccione las mangueras para ver si están rajadas, desgastadas o si pierden. No use las mangueras si están dañadas.

Comience a limpiar

- Prenda el interruptor de la aspiradora y el interruptor de la bomba. Con la boquilla limpiadora y la manguera en mano puede comenzar a limpiar. Al jalar el gatillo de la solución limpiadora, la dispersará en el área deseada. Porque la aspiradora está prendida, el líquido será aspirado rápidamente de vuelta a la boquilla limpiadora. Notará que el área que acaba de limpiar está húmeda. Esto es normal.



RESOLVIENDO PROBLEMAS

SÍNTOMA: La máquina no se prende.

- Problema: No está enchufada.
Solución: Enchufe la máquina en un tomacorriente apropiado.
- Problema: Saltó el interruptor del circuito.
Solución: Vuelva a poner el interruptor de circuito. Asegúrese de que no haya otros ítemes en uso en el mismo circuito que la máquina. El toma corriente debe ser de un circuito de 20-amp.
- Problema: El cordón eléctrico se ha desconectado del cordón extra.
Solución: Vuelva a conectar el cordón eléctrico con el cordón extra.

SÍNTOMA: La bomba no funciona correctamente.

- Problema: El cordón eléctrico y el cordón extra no están totalmente encajados.
Solución: Encájelos firmemente el uno al otro.
- Problema: Los surtidores están tapados.
Solución: Limpie los surtidores con un cepillo de alambre blando o quite los surtidores y púrguelos hasta que estén limpios.
- Problema: El tanque de la solución está vacío.
Solución: Llene el tanque de solución con un detergente pre mezclado.
- Problema: La bomba está pulsando.
Solución: Apriete todas las mangueras. Chequee para ver si hay pérdidas.

SÍNTOMA: El motor de la aspiradora no funciona correctamente.

- Problema: La manguera no está conectada apretadamente al tubo a la máquina.
Solución: Conecte firmemente la manguera.
- Problema: La manguera está obstruida con cabello, fibras de las alfombras y/o basura.
Solución: Limpie la manguera
- Problema: El tapón del drenaje no está completamente cerrado.
Solución: Cierre completamente el tapón del drenaje.
- Problema: La tapa del tanque de la aspiradora no está bien apretada.
Solución: Apriete bien la tapa del tanque de la aspiradora.
- Problema: La manguera aspiradora está rajada o cortada.
Solución: Cambie la manguera aspiradora.
- Problema: Sale agua del motor de la aspiradora.
Solución: Use un detergente que haga poca espuma.

SÍNTOMA: No se está refregando la alfombra

- Problema: El cepillo circular no está girando.
Solución: Prenda el interruptor que está en el mango. Revise la correa de transmisión del cepillo circular.

GARANTÍA LIMITADA DE SANITAIRE PARA EQUIPOS COMERCIALES Limpiadoras de alfombras y manchas (Excluye aspiradoras)

Su equipo, que ha sido manufacturado, probado e inspeccionado de acuerdo con requisitos de ingeniería cuidadosamente especificados, se garantiza libre de defectos en los materiales y la obra de mano. No obstante, esta Garantía Limitada está sujeta a los siguientes derechos, condiciones y limitaciones que se establecen para brindarle a usted y a todos los usuarios del equipo con información respecto a duración, alcance, disponibilidad y aplicabilidad de la Garantía Limitada, el procedimiento a seguir para obtener su ejecución y otra información concerniente a la póliza de Garantía Limitada.

La Garantía Limitada se extiende al usuario final original de la siguiente manera:

Un año de garantía para repuestos y 1 año para mano de obra.

La Garantía Limitada no cubre los daños atribuibles a los siguientes:

- (1) Uso indebido, irrazonable o negligente o maltrato del equipo.
- (2) Abrasiones o perforaciones del equipo.

La fecha inicial de la cobertura de la Garantía Limitada será la fecha de compra del usuario original o seis meses desde la fecha en que la máquina fue despachada de la fábrica, sea cual fuere la primera.

PIEZAS DEL EQUIPO NO CUBIERTAS POR LA GARANTÍA LIMITADA

Ciertas piezas del equipo requieren reponerse en el curso común del uso debido al desgaste normal en razón de sus características. Se excluyen ítemes que se desgastan normalmente tales como válvulas, ruedas, cordones eléctricos, mangueras, interruptores, filtros, cojinetes, cepillos de carbón, solenoides, aros-O, termostatos, terminales eléctricos y rueditas.

EXCEPCIONES Y EXCLUSIONES DE LA GARANTÍA LIMITADA

Este equipo tiene que ser usado con la corriente eléctrica indicada en la placa de datos. En caso contrario, los daños, defectos, malfuncionamiento y otras fallas del equipo debido al uso de corriente eléctrica distinta a la indicada se exceptúan y excluyen de esta Garantía Limitada. Los defectos, malfuncionamientos, fallas o daños al equipo causados por un uso indebido, irrazonable o negligente o el maltrato mientras está en posesión del comprador también se excluyen de esta garantía. Si una reparación de su equipo es realizada por alguien no designado como un Centro autorizado de Garantía, EL FABRICANTE, a su sola discreción, puede determinar que esta garantía no se aplica y que no se reembolsará el pago por dicha reparación.

PROCEDIMIENTO A SEGUIR PARA OBTENER LA EJECUCIÓN DE UNA REPARACIÓN DENTRO DE LA GARANTÍA LIMITADA

Para obtener la reparación del equipo o de cualquier pieza garantizada bajo esta Garantía Limitada, Se debe seguir el siguiente procedimiento. El equipo o las piezas garantizados que no funcionan, junto con una evidencia satisfactoria de su fecha de compra debe ser entregada, con los gastos de envío y entrega pre pagados, a uno de los siguientes:

- 1) El distribuidor de quien se compró;
- 2) Cualquier centro autorizado de reparaciones y partes.

Si le es imposible localizar ninguno de los mencionados, puede escribir o comunicarse de alguna otra manera con EL FABRICANTE antes de que ningún otro lo repare. En dicho caso, EL FABRICANTE proporcionará la dirección de un departamento de servicio de repuestos y partes de un distribuidor autorizado cercano, o una oficina de garantía autorizada u otras instrucciones de fábrica. Al cumplir todos los procedimientos mencionados, los defectos que cuentan con garantía serán reparados sin cargo ni costos adicionales al cliente, y el producto reparado será regresado al cliente. Todos los cargos de envío son responsabilidad del dueño del producto. Al seguir los procedimientos explicados, POR FAVOR ASEGÚRESE DE mencionar el número de modelo, tipo y serie tal como aparecen en la placa de datos del equipo.

SUSTITUCIONES

En el caso de que algún defecto, malfuncionamiento o falla del equipo o de que cualquier pieza no se conforma a esta garantía, EL FABRICANTE podrá, a su sola discreción y a su cargo sustituir cualquier parte garantizada o equipo garantizado con otro nuevo idéntico o razonablemente equivalente al modelo o pieza en lugar de reparar el defecto.

NO SE REMBOLSA EL PRECIO DE COMPRA

EL FABRICANTE, de acuerdo con su póliza de Garantía Limitada, no reembolsará al cliente el precio de compra.

Asegúrese de que el Centro de Garantía sea "Autorizado por Sanitaire". Para obtener la dirección del centro más cercano que atiende cuestiones de Garantía de Sanitaire o del servicio de reparaciones y partes, visítenos en o llame gratis al: 1-800-800-8975.

**Santaire appareils commerciaux
Garantie limitée
Nettoyeurs de tapis et de tâches
(A l'exclusion des aspirateurs)**

Votre appareil, qui a été fabriqué, testé et inspecté selon des normes précises avec soin par l'industrie, est garanti contre tout défaut de matériel ou de fabrication. Cette garantie, toutefois, est sujette aux qualifications, conditions et limitations suivantes. Celles-ci sont données afin de vous donner, ainsi qu'à tous les utilisateurs de l'appareil, des renseignements concernant la durée, l'étendue, la disponibilité et l'applicabilité de la garantie limitée, aussi bien que la manière dont il faut se servir pour faire appliquer la garantie.

La garantie limitée s'étend au premier utilisateur de l'appareil de la manière suivante :

Un an pour le remplacement des pièces et un an pour l'assemblage.
La garantie limitée ne couvre pas les dommages ou défaillances occasionnés par :

- (1) une négligence, un emploi abusif ou non conforme au Guide du propriétaire ;
 - (2) abrasion ou perforation de l'appareil.
- La garantie entre en vigueur le jour de l'achat par le consommateur, ou bien six mois après l'envoi de l'appareil de l'usine de fabrication. L'entrée en vigueur sera la première de ces deux dates.

PIECES NON COUVERTES PAR LA GARANTIE LIMITEE

Certaines pièces doivent être remplacées dans des conditions d'utilisation normales. Ces pièces, telles que joints, roues, cordons, boyaux, interrupteurs, filtres, papiers, balais en charbon, solénoïdes, anneaux, thermostats, bornes électriques et roulettes, ne sont pas couvertes par cette garantie.

EXCEPTIONS ET EXCLUSIONS DE LA GARANTIE LIMITEE

Cet appareil doit être utilisé avec le courant électrique indiqué sur la plaque signalétique. Les dommages et défaillances occasionnés par l'utilisation avec un courant électrique différent de celui indiqué sur la plaque signalétique sont exclus de cette garantie limitée. Les défauts, défaillances ou dommages entrainés par une utilisation incorrecte, irraisonnable ou négligente, ou un abus par le consommateur, sont aussi exclus de cette garantie. Si vous faites faire une réparation par quelqu'un d'autre qu'un Centre service agréé Santaire, le fabricant peut décider que la garantie ne s'appliquera pas et qu'il n'y aura pas de remboursement pour cette réparation.

COMMENT FAIRE APPLIQUER LA GARANTIE LIMITEE

Pour obtenir une réparation de cet appareil ou de ses pièces couvertes par la garantie limitée, suivez les étapes suivantes. Envoyez l'appareil ou les pièces qui ne fonctionnent pas, accompagnés par des preuves convenables de la date d'achat, avec les frais d'expédition et de retour préparés à l'une des deux adresses suivantes :

- (1) Le magasin où vous avez acheté l'appareil ;
- (2) Un Centre service agréé par Santaire.

REMPACEMENT

Si vous ne pouvez pas trouver l'une de ces deux adresses, vous pouvez écrire ou communiquer autrement avec LE FABRICANT, avant d'entreprendre un travail de réparation chez quelqu'un d'autre. Dans ce cas, LE FABRICANT vous donnera soit l'adresse d'un atelier de service ou distributeur autorisé près de chez vous, un Centre service agréé par Santaire, ou d'autres instructions de réparés, sans charge ou frais supplémentaires au consommateur. L'appareil réparé sera renvoyé au consommateur. Tous les frais d'expédition seront à la charge du propriétaire de l'appareil. Lorsque vous suivez ces instructions, soyez sûr de mentionner les numéros de modèle, de type et de série indiqués sur la plaque signalétique de l'appareil.

IMPOSSIBILITE DE REMBOURSER LE PRIX DE L'ACHAT

Dans le cas d'un défaut ou défaillance de votre appareil, ou d'une des pièces couvertes par la garantie limitée, LE FABRICANT peut choisir de remplacer l'appareil ou la pièce sous garantie avec un modèle nouveau identique ou semblable, au lieu de réparer le défaut. Ce sera aux frais du fabricant.

Selon cette garantie limitée, LE FABRICANT ne remboursera jamais le prix de l'achat au consommateur.

Assurez-vous que le Centre service agréé est autorisé par Santaire. Pour savoir l'adresse du Centre service agréé Santaire le plus proche de votre maison, visitez notre site Web www.santairevac.com ou appelez sans frais le 1-800-800-8975.

DÉPANNAGE

Symptôme : L'appareil ne se met pas en marche.

Problème : L'appareil n'est pas branché.
Solution : Branchez l'appareil dans une prise convenable.

Problème : Le disjoncteur a sauté.
Solution : Remettez le disjoncteur et assurez-vous qu'aucun autre appareil ne fonctionne sur le même circuit que l'extracteur. La prise doit être sur un circuit de 20 amp.

Problème : Le cordon électrique s'est détaché de la rallonge.
Solution : Rattachez le cordon électrique à la rallonge.

Symptôme : La pompe ne fonctionne pas correctement.

Problème : Le cordon électrique et la rallonge ne sont pas bien attachés.
Solution : Attachez bien le cordon électrique et la rallonge.

Problème : Les jets sont encrassés.
Solution : Nettoyez les jets avec une brosse métallique douce ou enlevez les jets pour les nettoyer avec de l'eau.

Problème : Le réservoir au produit nettoyant est vide.
Solution : Remplissez le réservoir avec le produit nettoyant, mélangé à l'eau.

Problème : La pompe vibre.
Solution : Serrez tous les tuyaux et cherchez une fuite éventuelle.

Symptôme : Le moteur d'aspiration ne fonctionne pas correctement.

Problème : Le tuyau n'est pas bien fixé à la rallonge ou à l'appareil.
Solution : Attachez bien le tuyau.

Problème : Le tuyau est encrassé avec des cheveux, des fibres de tapis et/ou des débris.
Solution : Enlevez les obstructions.

Problème : Le bouchon de la vidange n'est pas bien inséré.
Solution : Fermez complètement le bouchon de la vidange.

Problème : Le couvercle de la cuve n'est pas bien fermé.
Solution : Fermez bien le couvercle.

Problème : Le tuyau d'aspiration est déchiré ou fendu.
Solution : Remplacez le tuyau d'aspiration.

Problème : De l'eau sort du moteur d'aspiration.
Solution : Utilisez un produit nettoyant avec peu de mousse.

Symptôme : Le tapis n'est pas bien nettoyé.

Problème : Le rouleau-brosse ne tourne pas.
Solution : Appuyez l'interrupteur sur la poignée pour mettre en marche. Vérifiez la courroie du rouleau-brosse.

MODE D'EMPLOI

ASSEMBLAGE

- Vous trouverez un coudé en plastique noir à 45 degrés à l'intérieur de l'appareil. Installez ce coudé sur la valve d'évacuation à l'arrière de l'appareil. Ce coudé dirigera les eaux ramassées vers le bas.

Remplir le réservoir du produit nettoyant

AVERTISSEMENT : Utilisez uniquement des produits commercialisés conçus pour le nettoyage des tapis et des captonnages et pour l'application de la machine.

Faites un mélange d'eau chaude et du détergent nettoyant agréé dans un seau propre. Évitez de mélanger le produit chimique et l'eau dans la cuve du produit nettoyant puisque le produit chimique ne se dissout pas complètement et il bouchera le filtre de la cuve. Boucher le filtre empêchera le liquide de passer à la pompe, ce qui raccourcira considérablement la durabilité de la pompe. (Suivez les indications données sur le produit concernant le mélange correct.)

REMARQUE : Ne remplissez pas trop.

Connecter le cordon électrique

AVERTISSEMENT : Pour réduire le risque de choc électrique ne posez jamais le cordon sur une surface mouillée.

- Attachez le cordon électrique à la rallonge qui accompagne l'extracteur.
- Branchez la rallonge.

Les interrupteurs

L'interrupteur se trouve sur la poignée.

- Portez toujours un protège-tympan si vous utilisez l'extracteur pour une période de temps prolongée.
- Appuyez sur tous les trois interrupteurs pour mettre en marche.
- Vous entendrez et sentirez tourner la brosse dans la machine.

Amorcer la pompe

- La pompe 100-PSI DOTI être amorcée. Pour ce faire, versez assez d'eau dans la cuve de produit nettoyant pour couvrir le filtre d'adduction avec au moins 3 pouces d'eau. Avec la machine mise en marche et l'interrupteur de la pompe sur la position « ON », appuyez le bouton VERT entre les poignées jusqu'à ce que la ligne se vide d'air et que les jets soient réparés régulièrement. Après avoir mélange d'eau et de produit nettoyant.

Commencer le nettoyage

- Cet appareil nettoie seulement quand il est tiré en arrière. Pour pousser, soulevez légèrement le devant de l'appareil au dessus du tapis et faites rouler vers l'avant. Le rouleau-brosse devrait toucher les tapis uniquement sur les mouvements en arrière. Pour nettoyer un endroit, appuyez le bouton VERT de pulvérisation et tirez la machine en arrière. Faites bouger l'appareil à une allure lente et régulière. Vous pouvez repasser sur le même endroit sans appuyer le bouton VERT de pulvérisation pour aspirer du tapis le surplus de produit nettoyant.
- Vous verrez que l'endroit que vous venez de nettoyer est humide. Ceci est normal.

Tuyaux :

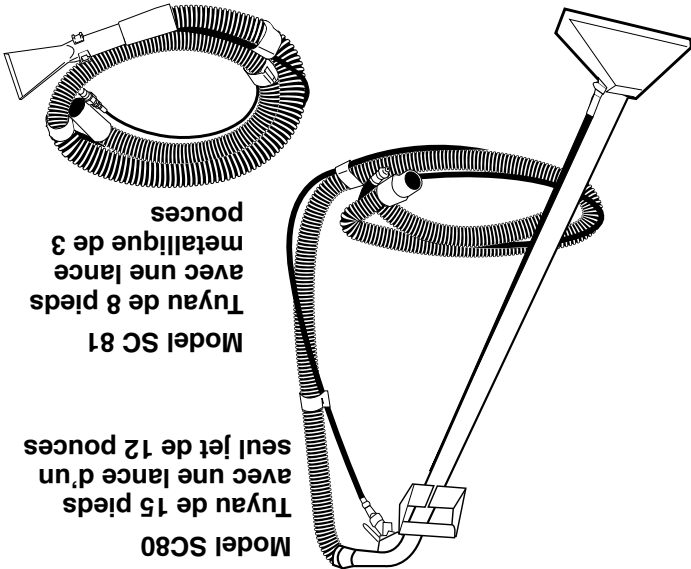
Pour obtenir de bons résultats, aspirez l'endroit à nettoyer avant d'utiliser l'extracteur. Si vous utilisez l'extracteur pour nettoyer des liquides qui sont tombés par terre ou des tâches, travaillez d'abord avec une serviette avant de faire un dernier nettoyage avec l'extracteur. Si vous utilisez l'appareil sur des tissus ou captonnages de haute qualité, testez d'abord le produit nettoyant sur un endroit caché pour être sûr que le tissu ne se détérioré pas. Ne laissez pas l'appareil en marche sur un seul endroit. Le tapis peut être endommagé comme conséquence.

La coupure automatique

REMARQUE : L'appareil doit toujours être dans la position debout lors de l'usage. Si pour quelque raison l'appareil se renverse, la coupure automatique de l'aspiration coupe l'aspiration.

Si l'appareil se renverse :

- Mettez l'interrupteur sur arrêt et remettez l'appareil sur pied complètement.
- Attendez quelques secondes pour que le moteur s'arrête.
- Remettez le moteur en marche.



Commencer le nettoyage

- Appuyez l'interrupteur de l'appareil et celui de la pompe pour mettre en marche. Avec la lance de nettoyage et le tuyau à la main, vous pouvez commencer à nettoyer. En tirant la détente, vous réparerez le produit nettoyant à l'endroit désiré. Parce que l'appareil est en marche, le fluide sera vite aspiré dans la lance de nettoyage. Vous verrez que l'endroit que vous venez de nettoyer est humide. Ceci est normal.

Attacher le tuyau du produit nettoyant

- Assurez-vous que le tuyau est bien installé. Inspectez toujours les tuyaux pour des fissures ou des fuites. N'utilisez jamais l'extracteur si les tuyaux sont abîmés.

Attacher le raccord du tuyau d'aspiration

- Séparez le tuyau de l'arrivée du tuyau.
- Insérez le raccord du tuyau dans l'arrivée du tuyau.
- Tournez légèrement pour fixer.

ASSEMBLAGE

ACCESSOIRES DE LA RALLONGE DE L'EXTRACTEUR EN OPTION

- Entrez le tuyau dans un endroit sec et frais.
- Nettoyez et séchez la cuve et tous les accessoires extracteur.
- Videz la cuve complètement et rincez bien avant d'entreposer votre

Nettoyer et entreposer

REMARQUE : Mettez l'interrupteur sur arrêt et débranchez le cordon électrique avant de nettoyer la cuve.

- Videz la cuve dans une canalisation appropriée en soulevant la poignée en « T » en dessous du tuyau d'évacuation. (p. 3)
- Soyez spécialement attentif lorsque vous videz une cuve pleine. Si vous tirez complètement la poignée en « T », vous risquez de faire sortir trop vite le liquide.
- Fermez la valve de la poignée en « T » pour continuer le nettoyage.

Vider la cuve

AVERTISSEMENT : Mettez l'interrupteur sur arrêt et débranchez le cordon électrique avant d'entreprendre tout travail d'entretien.

- Alors que la cuve se remplit, le flotteur (à l'intérieur de la cage) monte jusqu'à ce qu'il se coince contre le bas du moteur.
- Le bruit du moteur devient plus aigu.
- À ce moment, l'aspiration est coupée automatiquement.
- Mettez l'interrupteur sur arrêt.
- Videz la cuve (instructions ci-dessous).

Lorsque la cuve est pleine :

La coupure automatique de l'aspiration fonctionne lorsque la cuve est pleine de liquide.

RENSEIGNEMENTS GÉNÉRAUX

Coupure automatique de l'aspiration

NOTE : L'appareil doit toujours être dans la position débout lors de l'usage. Si pour quelque raison l'appareil se renverse, la coupure automatique de l'aspiration coupe l'aspiration.

La coupure automatique de l'aspiration fonctionne lorsque la cuve est pleine de liquide. Alors que la cuve se remplit, le flotteur à boule (à l'intérieur de la cage) monte jusqu'à ce qu'il se coince contre l'arrivée du moteur. A ce moment, l'aspiration est coupée et le bruit du moteur devient plus aigu. Il faut alors vider la cuve.

La coupure automatique de l'aspiration fonctionne également si l'extracteur se renverse. Pour continuer à utiliser l'appareil, mettez les commandes sur arrêt et remettez l'extracteur sur pied. Attendez quelques minutes pour permettre au moteur de s'arrêter complètement et au flotteur de retomber. Remettez alors le moteur en marche.

Cet extracteur est conçu uniquement pour l'aspiration de liquides.

Renseignements sur le service

Les instructions de ce livret vous serviront de guide pour l'entretien d'usage. Si un service plus important est nécessaire, composez le numéro ci-dessous, sans frais, pour demander l'adresse du Centre service agréé Eureka/Sanitaire le plus proche de votre domicile. Soyez prêt à fournir les numéros de modèle, de type et de série lorsque vous appelez.

Aux Etats-Unis et au Canada : 1-800-800-8975

Au Mexique : 5670-6169

Si vous le préférez, vous pouvez aussi écrire à Electrolux Home Care Products North America, Service Division, 807 North Main Street, Bloomington, Illinois 61701. Au Canada, écrivez à Electrolux Home Care Products North America, 866 Langs Drive, Cambridge, Ontario N3H 2N7. Consultez la Garantie de l'équipement commercial Sanitaire pour les renseignements complets sur le service.



NE JAMAIS HUILER le moteur. Les paliers ont été lubrifiés et scellés à vie.

Plaque signalétique

Les numéros de modèle, de type et de série se trouvent sur la plaque signalétique, située au dos de l'appareil. Pour le service le plus rapide et complet, soyez toujours prêt à fournir ces numéros lorsque vous appelez.

Numéros de modèle et de type :

Numéro de série :

IDÉNTIFICATION DES PIÈCES DU NETTOYEUR

Enlevez le cordon électrique du carton et enlevez le Extracteur.

1. Poignée

2. Arrivée du tuyau

3. Couverture de la cuve des eaux usées

4. Couverture de la cuve du produit nettoyant

5. Valve d'écoulement

A. Coude pour diriger les eaux ramassées

B. Poignée en "T" vers la valve d'écoulement

6. Raccord du tuyau du produit nettoyant (avec la rallonge en option)

7. Roues arrière

8. Interrupteurs

A. Moteur de succion

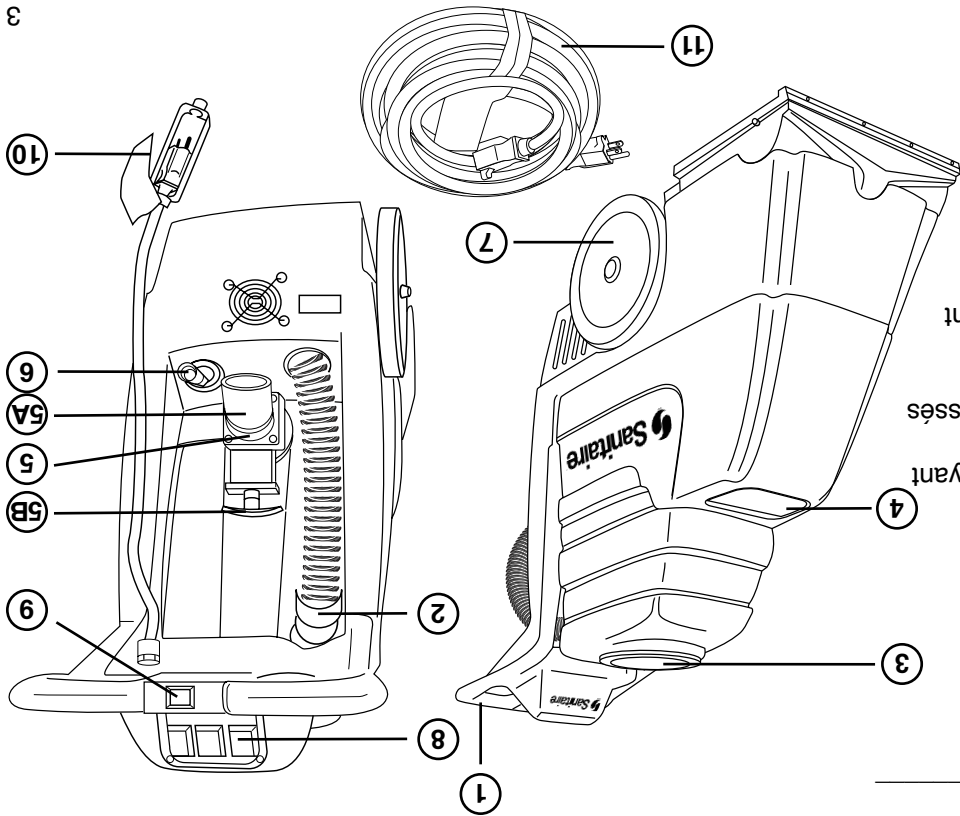
B. Moteur de la pompe

C. Moteur du rouleau-brosse

9. Bouton du produit nettoyant

10. Cordon électrique

11. Rallonge



MODEL	TYPE	SERIAL NO.
VOLTS	AMPS	HERTZ
SERVICE INFORMATION: 1-800-800-8975		
BLOOMINGTON, ILLINOIS 61701		

IMPORTANTES MESURES DE SÉCURITÉ

Lors de l'utilisation d'un appareil électrique, quelques précautions élémentaires doivent être observées, incluant les suivantes :

LISEZ TOUTES LES INSTRUCTIONS AVANT D'UTILISER VOTRE EXTRACTEUR

MISE EN GARDE

- Ne pas débrancher en tirant sur le cordon. Tirer plutôt la fiche.
 - Ne pas toucher la fiche ni l'appareil lorsque vous mains sont mouillées.
 - N'insérer aucun objet dans les ouvertures. Ne pas utiliser l'appareil lorsqu'un ouverture est bloquée. S'assurer que de la poussière, de la peluche, des cheveux ou d'autres matières ne réduisent pas le débit d'air.
 - Cet extracteur crée de l'aspiration et contient aussi une brosse agitative mobile. Maintenir les cheveux, les vêtements amples, les doigts et toutes les parties du corps à l'écart des ouvertures et des pièces mobiles.
 - Ne pas aspirer des objets qui brûlent ou fument comme les cigarettes, les allumettes ou les cendres chaudes de cheminée ou de barbecue.
 - Ne pas utiliser sans le flotteur à boule et sa cage.
 - User de prudence lors du nettoyage des escaliers.
 - Si l'aspirateur se renverse quand il est en usage, il faut l'éteindre tout de suite, le remettre sur pied et attendre que le moteur s'arrête complètement. Cette action permettra que le flotteur à boule retrouve sa position normale et que le débit d'air à travers l'appareil retourne à la normale.
 - Ne pas utiliser pour aspirer de l'essence, de l'acétone, des parfums, de l'eau de cologne, des diluants et autres liquides inflammables ou utiliser dans des endroits où ils peuvent être présents.
 - Utiliser et entreposer votre aspirateur à l'intérieur, dans un endroit dont la température est au-dessus de 32° F (0° C) pour éviter que la machine se gèle.
 - Maintenir un bon éclairage à l'endroit où vous travaillez.
- Pour réduire le risque de feu, de choc électrique ou de blessure :
 - Ne pas tremper ce produit. Utiliser uniquement sur des surfaces mouillées pour le nettoyage.
 - Ne pas utiliser à l'extérieur ou l'exposer à la pluie.
 - Utiliser uniquement des produits commercialisés conçus pour le nettoyage des tapis et des captonnages et pour l'application de la machine.
 - **Ne pas laisser l'appareil sans surveillance lorsqu'il est branché.** Mettre l'interrupteur sur arrêt (« OFF ») et pas ou avant tout travail d'entretien.
 - Ne pas permettre aux enfants de jouer avec l'appareil. Une attention particulière est nécessaire lorsqu'il est utilisé par ou près d'un enfant.
 - N'utiliser que conformément à cette notice avec les accessoires recommandés par le fabricant.
 - Ne pas utiliser si le cordon ou la fiche est endommagé. Si l'appareil ne fonctionne pas comme il le devrait, s'il est tombé ou endommagé, laissez à l'extérieur ou immergé, le retourner à un atelier de réparation avant de l'utiliser.
 - Ne pas tirer, soulever ni traîner l'appareil par le cordon. Ne pas utiliser le cordon comme une poignée, le coincer dans l'embrasure d'une porte ou l'appuyer contre des arêtes vives ou des coins. Ne pas faire rouler l'appareil sur le cordon.
 - Garder le cordon à l'écart des surfaces chaudes.
 - Ne brancher qu'à une prise de courant avec mise à la terre. Voir les instructions visant la mise à la terre.
 - Ne pas utiliser des rallonges ou des prises qui n'ont pas une capacité suffisante pour transporter le courant.
 - Mettre toutes les commandes à la position arrêt (« OFF »)

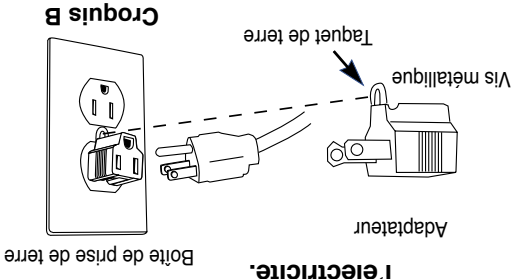
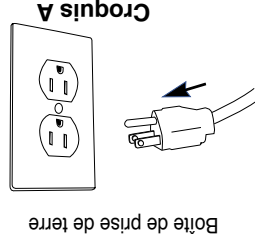
CONSERVEZ CES INSTRUCTIONS

Instructions visant la mise à la terre

Cet appareil doit être mis à la terre. En cas de défaillance ou de panne éventuelle, la mise à la terre fournit au courant un chemin de moindre résistance qui réduit le risque de choc électrique. Cet appareil est pourvu d'un cordon muni d'un conducteur de terre et d'une fiche avec broche de terre. La fiche doit être branchée dans une prise appropriée correctement installée et mise à la terre conformément aux règlements et ordonnances municipaux.

AVERTISSEMENT

Un conducteur de terre mal raccordé peut entraîner un risque de choc électrique. Consulter un électricien ou un technicien d'entretien qualifié si vous n'êtes pas certain que la prise est correctement mise à la terre. Ne pas modifier la fiche fournie avec l'appareil. Si elle ne peut être insérée dans la prise, faire installer une prise adéquate par un électricien qualifié.



NOTE : Au Canada, l'utilisation d'un adaptateur temporaire n'est pas autorisée par le Code canadien de l'électricité.

Cet appareil est destiné à un circuit de 120 V et est muni d'une fiche de terre semblable à celle illustrée par le croquis A. Un adaptateur temporaire semblable à celui illustré par le croquis B peut être utilisé pour brancher cette fiche à une prise bipolaire comme l'illustre le croquis B si une prise à mise à la terre n'est pas disponible. L'adaptateur temporaire devrait être utilisé seulement jusqu'à ce qu'une prise avec mise à la terre soit installée par un électricien qualifié. L'oreille rigide ou le crochet ou autre dispositif semblable, de couleur verte, prolongeant l'adaptateur doit être raccordé à un élément correctement mis à la terre comme le couvercle d'une boîte de sortie mise à la terre. L'adaptateur doit être fixé par une vis métallique.

Nettoyeur Extracteur A usage commercial Guide du propriétaire Série SC6090

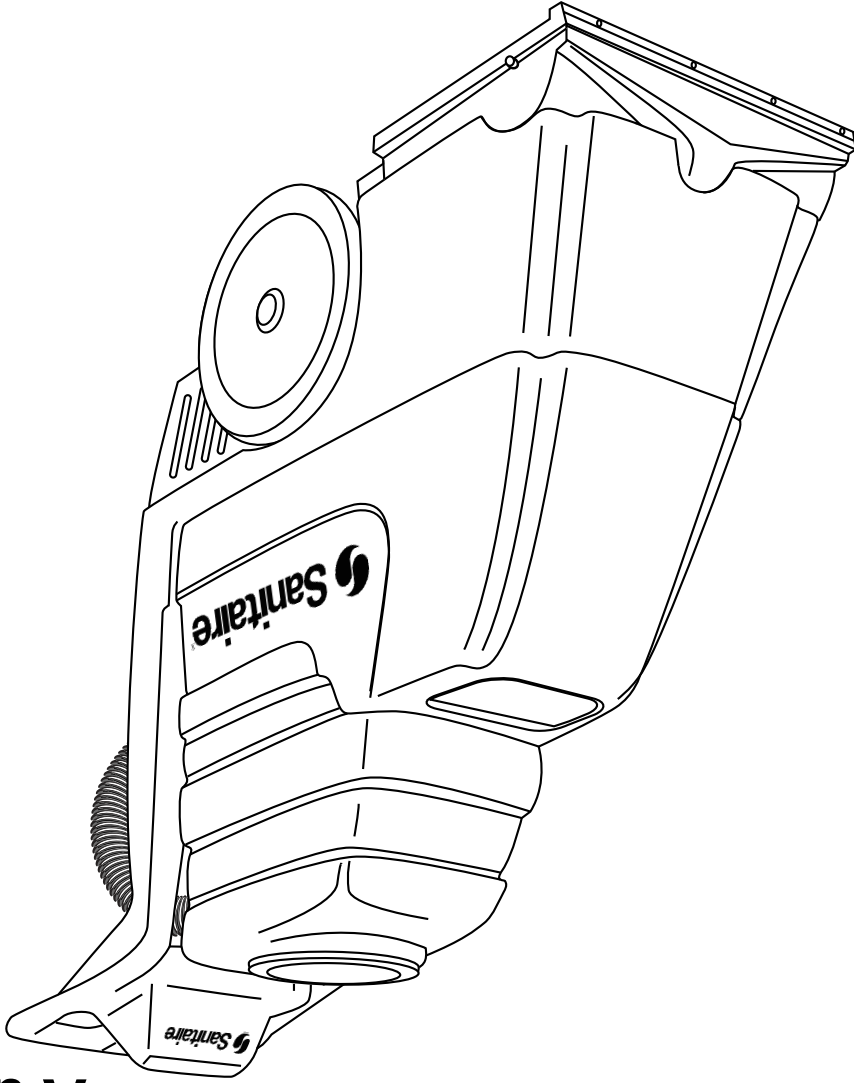


Table des matières	
Importantes mesures de sécurité	2-3
Renseignements sur le service	3
Identification des pièces	3
Mode d'emploi	4
Dépannage	5
Garantie	5

www.sanitairevac.com

Pour voir la **liste des pièces de rechange**, visitez le site www.sanitairevac.com ou appelez le 1-800-800-8975 pour demander une copie de la liste.

Pour savoir l'adresse du **Centre service agréé Sanitaire** le plus proche de votre domicile, ou pour les renseignements sur le service, appelez le 1-800-800-8975.