



AMERICAN SPECIALTIES, INC.

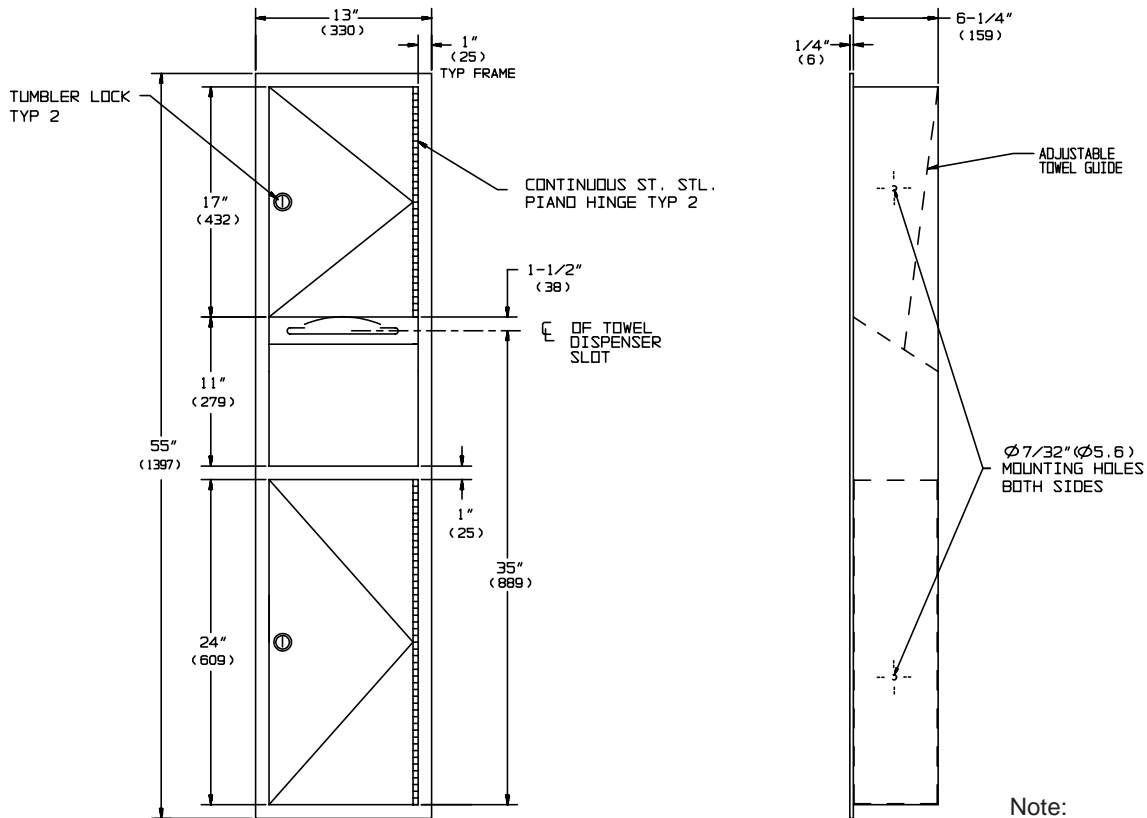
441 Saw Mill River Road, Yonkers, NY 10701 (914) 476-9000

MODEL No: 0467

ISSUED: 1-87

REVISED: 4-07

RECESSED PAPER TOWEL DISPENSER AND WASTE RECEPTACLE



Note:
Dimensions are in inches and (millimeters)

SPECIFICATION

Recessed Paper Towel Dispenser and Waste Receptacle shall hold and dispense 600 C-fold, 800 multi-fold or 1100 single-fold paper towels and shall have a waste capacity of 7 gal (26 liters). Unit shall be fabricated of 22 gauge type 304 stainless steel alloy 18-8 with N^o 4 satin finish and be protected during shipment with PVC film easily removable after installation. Adjustable guide shall be provided to allow dispensing of multi-fold or C-fold paper towels. Face trim shall be one-piece construction with no miters or welding and shall be 1" (25.4) wide and have 1/4" (6.4) square return to wall. Cabinet shall have no exposed fastening devices or spot-welded seams. Doors shall be double pan construction with fiberboard core and shall be mounted to cabinet body on 3/16" diameter (Ø4.8) heavy-duty stainless steel multi-staked piano hinges. Dispenser and disposal doors shall be held closed with tumbler locks keyed alike to other ASI washroom equipment.

Recessed Paper Towel Dispenser and Waste Receptacle shall be Model N^o 0467 as manufactured by American Specialties, Inc., 441 Saw Mill River Road, Yonkers, New York, 10701-4913

INSTALLATION

Unit is mounted in wall recess with N^o 10 self-tapping screws (by others) through concealed mounting holes. For ADAAG compliance install unit with towel slot 48" (1219) maximum above finished floor (MAX AFF). Note that top of Rough Wall Opening (RWO) is 3/4" (19) below top of unit.

RWO required is 11-1/2" W x 53-1/2" H x 6-1/4" D (292 x 1359 x 159)

OPERATION

Paper towels are manually withdrawn through dispensing slot and are self-feeding until supply is depleted. Refill dispenser by unlocking door and replacing towels for an empty or partially empty unit. Unit may be reloaded with a partial load in-place and will continue to feed properly. Dispenser supply is replenished on cycle determined by maintenance needs. Waste container is emptied manually on cycle determined by maintenance needs. Locking compartments prevent unauthorized access or removal.

Accessory Specialties

AMERICAN DISPENSER

Desert Ray Products

WATROUS INC.