



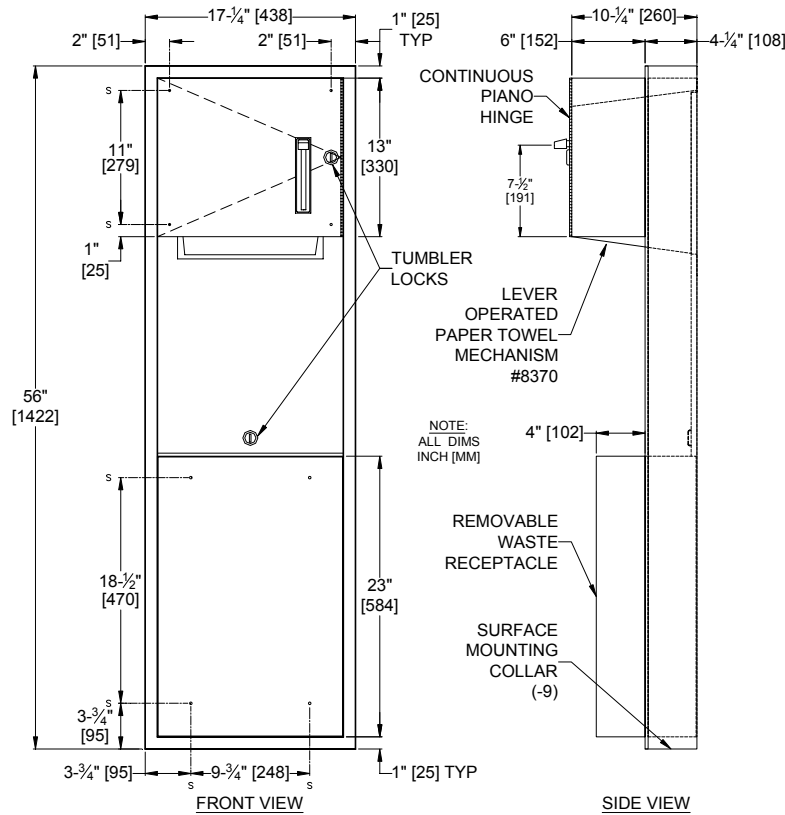
**AMERICAN SPECIALTIES, INC.**  
 441 Saw Mill River Road, NY 10701  
 (914) 476.9000 • (914) 476.0688  
 www.americanspecialties.com

MODEL №: 046924-9

ISSUED: 01/87

REVISED: 09/10

**SURFACE MOUNTED ROLL PAPER TOWEL DISPENSER AND WASTE RECEPTACLE**



**SPECIFICATION**

Surface Mounted Roll Paper Towel Dispenser and Waste Receptacle supplied with SM collar shall hold and dispense one 8" diameter (Ø203) x 8" or 9" (203/229) wide standard towel roll up to 800 ft (244m) long and one stub roll up to 4" diameter (Ø102) and shall have a waste capacity of 12 gal (46 liters). Unit frame, cabinet, waste container and SM collar shall be 22 gauge stainless steel type 304 alloy 18-8. Towel dispenser door and unit back plate for mechanism shall be same grade 18 gauge. All exposed surfaces shall have satin finish protected by PVC film easily removed after installation. Towel dispensing slot shall be smooth and burr-free for snag-free dispensing and user safety. Door shall be attached to cabinet at side with a full-length 3/16" diameter (Ø4.8) stainless steel multi-staked piano hinge and be held closed with a tumbler lock keyed alike to other ASI washroom equipment. Waste container shall have hemmed edges for safety and shall be retained by a tumbler lock keyed alike to other ASI washroom equipment. Face trim shall be 1" (25.4) wide formed from one piece with no exposed miters, welding or open seams on face and have 1/4" (6.4) square returns to collar. Structural assembly of all components shall be of welded construction.

**Surface Mounted Roll Paper Towel Dispenser and Waste Receptacle shall be Model № 046924-9 as manufactured by American Specialties, Inc. 441 Saw Mill River Road Yonkers, New York 10701-4913**

**INSTALLATION**

Surface mount unit to wall using № 10 self-tapping screws (by others) through concealed mounting holes provided. For compliance with ADA Accessibility Guidelines, install unit so that towel dispenser lever is 54" (1372) maximum above finished floor (AFF) if clear floor side reach access is provided. SM collar is installed on cabinet prior to mounting on wall following procedure described on SM Collar TDS.

**OPERATION**

Towels are fed by lever action until supply is depleted. Towel feed length is adjustable for economy by pin (supplied) limiting of lever stroke length. Unit may be reloaded with a full roll to automatically start when finished with an existing partial roll. Waste container is emptied manually on cycle determined by maintenance needs. Locking compartment and receptacle retainer prevents unauthorized access and removal.