



AMERICAN SPECIALTIES, INC.

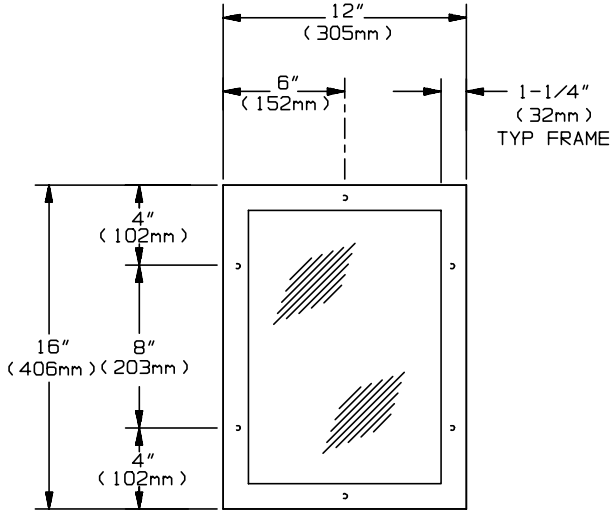
441 Saw Mill River Road, Yonkers, NY 10701 (914) 476-9000
www.americanspecialties.com

MODEL No: 105

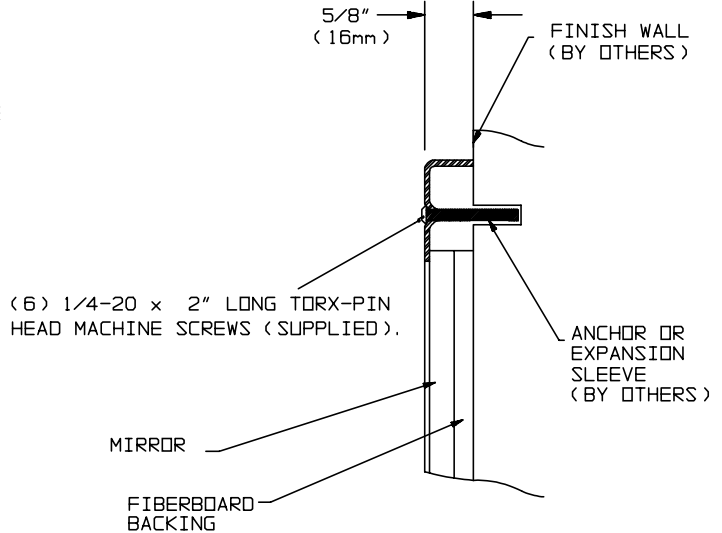
ISSUED: 1-87

REVISED: 5-06

SURFACE MOUNTED SECURITY FRAMED MIRROR



ELEVATION



INSTALLATION DETAIL

SPECIFICATION

Surface Mounted Security Framed Mirror shall have frame fabricated of 14 gauge alloy 18-8 stainless steel, type 304. Structural assembly of frame components shall be of welded construction with six (6) mounting holes. All exposed surfaces shall be N° 4 satin finish and be protected during shipment with a PVC film easily removable after installation. Mirror glazing will be as specified in the Glazing Options chart. Unit will be provided with fiberboard backing.

Surface Mounted Security Framed Mirror shall be Model N° 105-____ (insert glazing code) as manufactured by American Specialties, Inc. 441 Saw Mill River Road Yonkers, New York 10701-4913

INSTALLATION

Unit is surface mounted to wall or partition using six (6) 1/4 - 20 x 2" (Ø6.4-20 x 50mm) long pin-Torx head machine screws (supplied) into suitable anchors (by others) or alternate wall preparation (by others). Suggested mounting height for general service is 74" (1880mm) maximum above finished floor (MAX AFF) to top of frame. Bottom edge of reflecting surface should be no higher than 40" (1016mm) MAX AFF for compliance with ADA Accessibility Guidelines.

GLAZING OPTIONS

Specify glazing option from chart below by adding code suffix to model number (e.g. 105-14).

Suffix	Material	Finish	Image Quality
13	1/4" thick tempered glass	Polished mirror	Excellent
14	20 gauge type 304 stainless steel	N° 8 mirror polish	Good
17	1/4" thick Plexiglas	Polished mirror	Excellent
31	22 gauge steel	Chrome plated	Good