



# AMERICAN SPECIALTIES, INC.

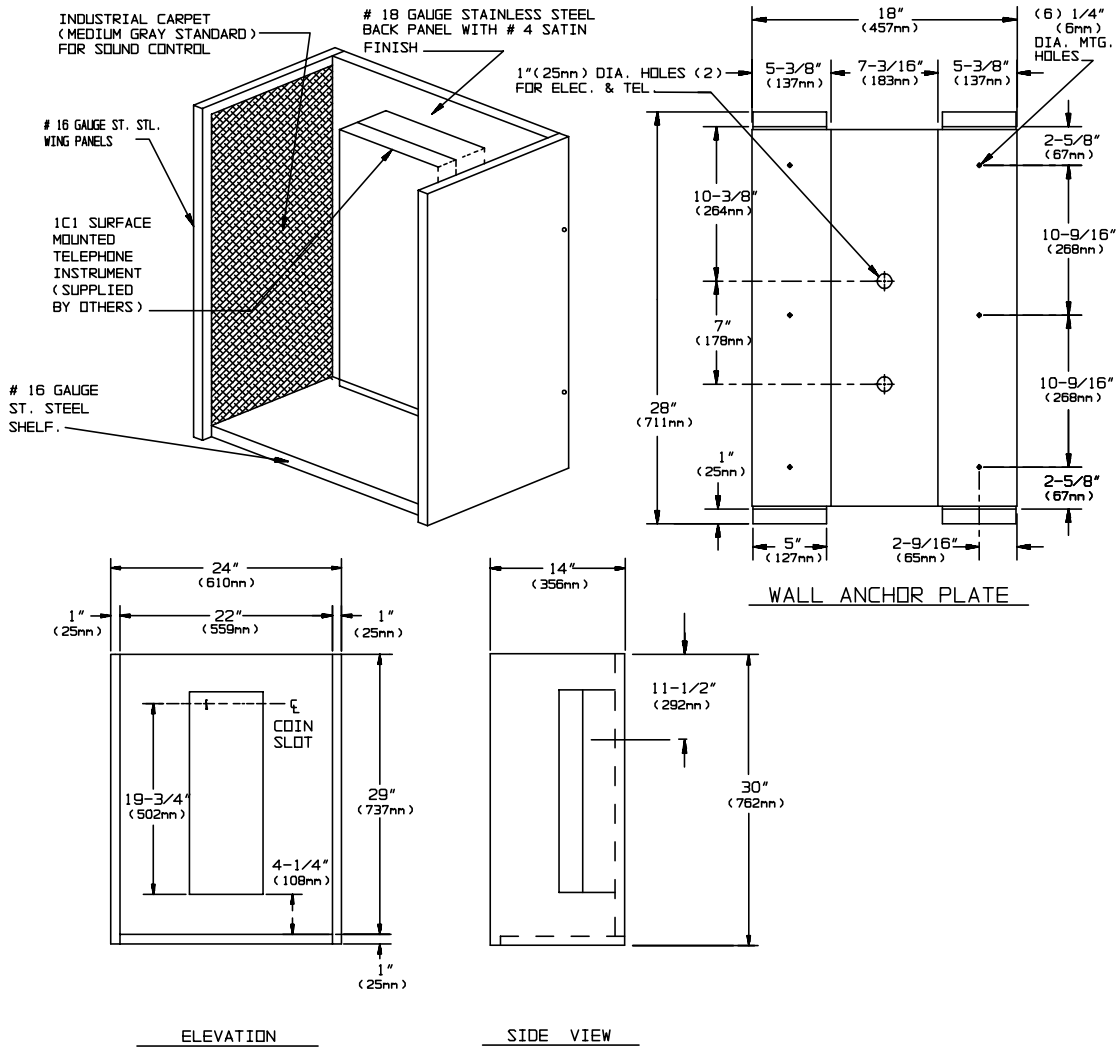
441 Saw Mill River Road, Yonkers, NY 10701 (914) 476-9000  
www.americanspecialties.com

MODEL No: 1305

ISSUED: 1-87

REVISED: 6-06

## TELEPHONE ACCOMMODATION



### SPECIFICATION

Telephone Accommodation shall have back panel fabricated of 18 gauge stainless steel alloy 18-8 type 304 with a N<sup>o</sup> 4 satin finish. Shelf and exterior of wing panels shall be 16 gauge stainless steel and wing panels shall have medium gray industrial carpet on the inside surface for sound control. All exposed surfaces shall have a N<sup>o</sup> 4 satin finish. Unit is prepared to accept standard N<sup>o</sup> 1C1 surface mounted telephone (provided by others) onto concealed mounting plate. Unit shall have wall anchor plate fabricated of 18 gauge paint-lok steel, which shall have six (6) 1/4" diameter (Ø6.4mm) mounting holes, two (2) 1" diameter (Ø25.4mm) wiring holes and hole-slots and tapped holes for standard telephone mounting.

Telephone Accommodation shall be Tellette Model N<sup>o</sup> 1305 as manufactured by American Specialties, Inc., 441 Saw Mill River Road, Yonkers, NY 10701-4913

### INSTALLATION

Secure wall anchor plate to finished wall through six (6) mounting holes provided. Hang assembled booth onto wall anchor plate. Telephone instrument (supplied by others) is then set onto back of unit and secured, making total assembly theft-resistant. Installer must furnish mounting hardware to suit wall construction. Suggested mounting height for general utility is 70" (1778mm) maximum above finished floor (MAX AFF) to the top of unit to place coin slot at 65" (1651mm) MAX AFF. For compliance with ADA Accessibility Guidelines side reach access mount unit 54" (1372mm) MAX AFF to the centerline of coin slot. For compliance with ADA Accessibility Guidelines front reach access use Option 10 (see 1305-10) and mount unit 48" (1219mm) MAX AFF to the centerline of coin slot.

Accessory Specialties

AMERICAN DISPENSER

Desert Ray Products

WATROUS INC.