



AMERICAN SPECIALTIES, INC.

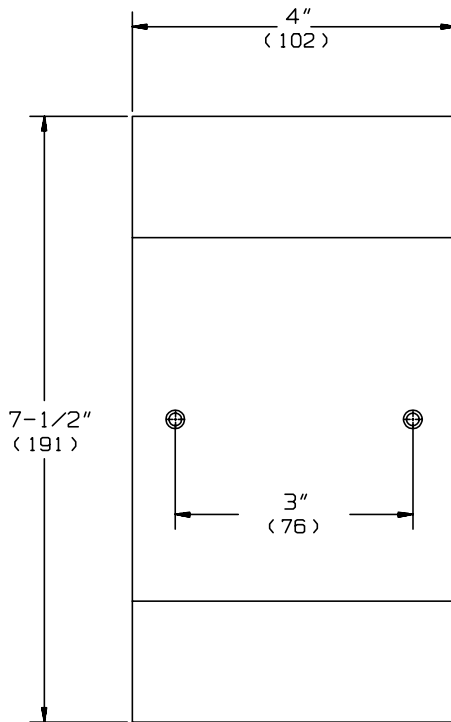
441 Saw Mill River Road, Yonkers, NY 10701 (914) 476-9000
www.americanspecialties.com

MODEL No: 40

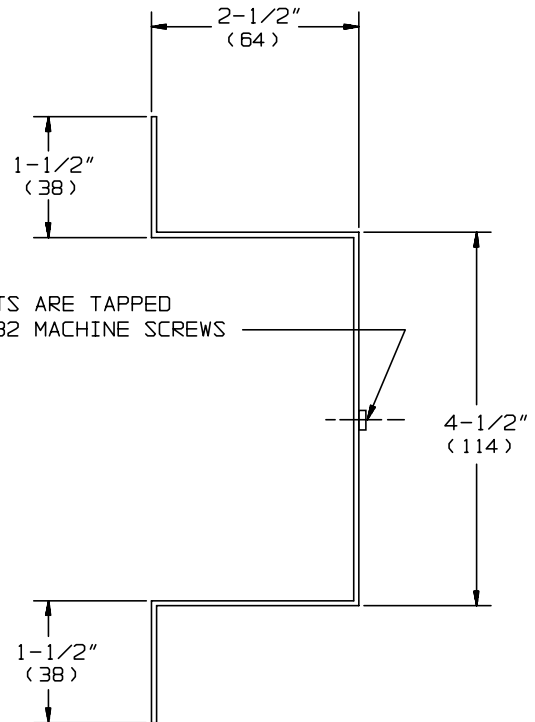
ISSUED: 1-87

REVISED: 11-06

DRY WALL MOUNTING CLAMP



ELEVATION



SIDE VIEW

NOTE:

ALL DIMENSIONS ARE IN INCHES (millimeters).

SPECIFICATION

Dry Wall Mounting Clamp shall be fabricated of 18 gauge corrosion protected steel. Unit shall be provided with threaded mounting holes to accommodate N° 8-32 machine screws for use with accessories (supplied separately) Model N° 0398 and Model N° 0400, both with dimpled mounting holes in rear wall. Clamp shall provide secure anchorage in drywall installation for listed units with specified RWO.

Dry Wall Mounting Clamp shall be Clamp Model N° 40 as manufactured by American Specialties, Inc., 441 Saw Mill River Road, Yonkers, New York, 10701-4913

INSTALLATION

Loosely attach clamp to the back of the listed Model N° 0398 or Model N° 0400 unit with stainless steel Philips flat or oval head N° 8-32 machine screws (provided by others to suit wall conditions). Insert into RWO and adjust clamp so that it grips inside wall surface through opening. Secure accessory to clamp and wall by tightening screws.