



AMERICAN SPECIALTIES, INC.

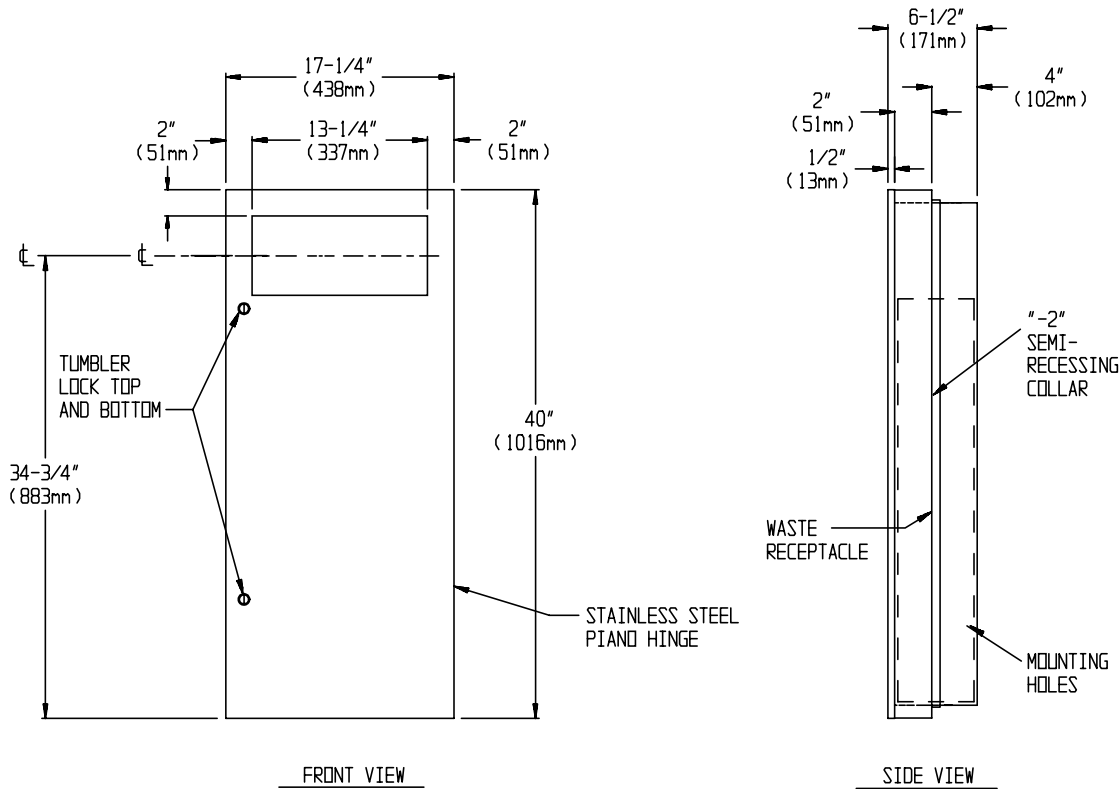
441 Saw Mill River Road, Yonkers, NY 10701 (914) 476-9000

MODEL No: **6474-2**

ISSUED: 1-87

REVISED: 9-04

SEMI-RECESSED WASTE RECEPTACLE



SPECIFICATION

Semi-Recessed Waste Receptacle shall have a waste capacity of 12 gal. (46 liters). Cabinet, door, skirt, and waste receptacle shall be fabricated from alloy 18-8 stainless steel, type 304. Full face door shall be 18 gauge formed from one piece with no miters, welding or open seams on face with a 1/2" (13mm) return to wall and shall be attached to cabinet at side with a full length 3/16" (5mm) stainless steel multi-staked piano hinge and be held closed with two (2) tumbler locks keyed like other ASI washroom equipment. Cabinet shall be 20 gauge and skirt shall be 22 gauge. Waste receptacle shall be fabricated from heavy duty stainless steel and have a finger grip for easy servicing and removal. Structural assembly of all components shall be of welded construction. All exposed surfaces shall be N° 4 satin finish and shall be protected during shipment with a PVC film easily removable after installation. Unit shall be supplied with a SR -2 collar (skirt) to convert to semi-recessed mounting.

Semi-Recessed Waste Receptacle shall be Model N° 6474-2 as manufactured by American Specialties, Inc., 441 Saw Mill River Road, Yonkers, New York, 10701-4913.

INSTALLATION

Unit is mounted in wall recess with four (4) N° 10 self-tapping screws (by others) through mounting holes in cabinet. For compliance with ADA Accessibility Guidelines, install unit so that center line of waste receptacle opening is 54" (1372mm) maximum above finished floor (AFF) if clear floor side reach access is provided or 48" (1219mm) maximum AFF if clear floor forward reach access only is provided SR collar is installed on cabinet prior to mounting in wall recess following procedure described on SR Collar Data Sheet.

Rough Wall Opening (RWO) required is...15-3/4" W x 38-1/2" H x 4-1/4" D minimum (400mm x 978mm x 102mm)

OPERATION

Waste is inserted through opening at upper section of unit. Waste receptacle is emptied manually on a cycle determined by maintenance needs. Locking door prevents unauthorized access or removal.

Accessory Specialties

AMERICAN DISPENSER

Desert Ray Products

WATROUS inc.