



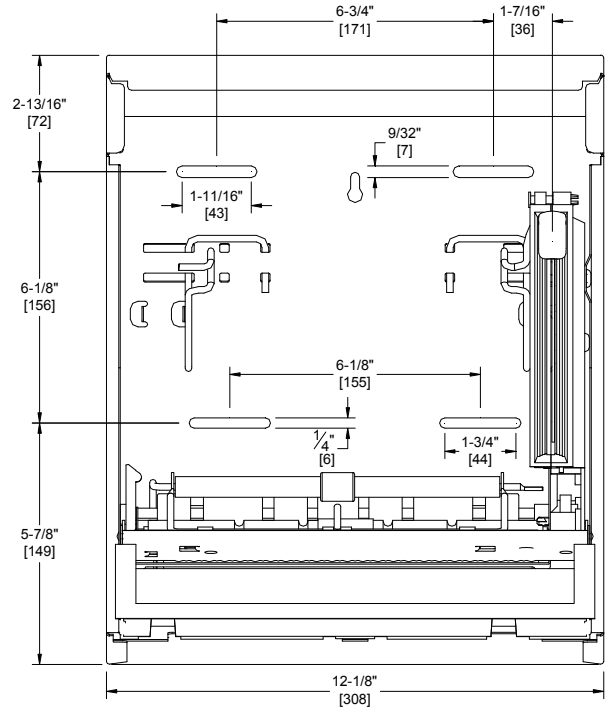
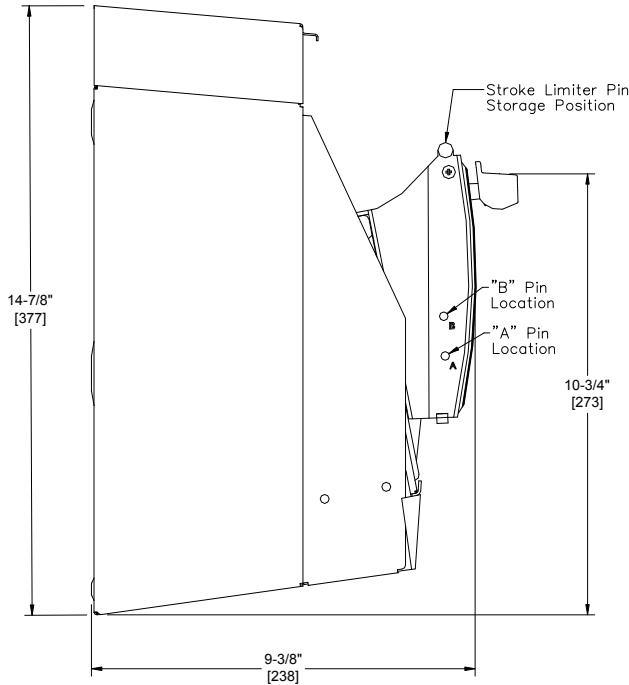
AMERICAN SPECIALTIES, INC.
 441 Saw Mill River Road, NY 10701
 (914) 476.9000 • (914) 476.0688
 www.americanspecialties.com

MODEL №: 8370

ISSUED: 04/12

REVISED: 30 April 2013

MANUAL LEVER OPERATED TOWEL DISPENSER (PAGE 1 OF 2)



SPECIFICATION

Manual Lever Operated Towel Dispenser shall hold one 8" or 9" wide x 8" diameter (203 or 229 x Ø203) standard towel roll up to 800 ft. (244m) long and one 8" or 9" wide (203 or 229) stub roll up to 4" diameter (Ø102). Unit shall be comprised of a baked enamel coated steel housing and mechanism base plate with internal plated steel, plastic, rubber, wood and stainless steel parts. A lever operated drive mechanism shall be supplied to dispense roll towels in one (1) of three (3) preset lengths chosen by owner. An installation label shall be provided permanently affixed to inside rear panel to illustrate correct paper loading, length preset pin selection and stub roll transfer. Unit is designed for installation into lever manual paper towel dispenser cabinets manufactured by American Specialties, Inc.

Manual Lever Operated Towel Dispenser shall be Model № 8370 of American Specialties, Inc., 441 Saw Mill River Road, Yonkers, NY 10701-4913

INSTALLATION

Assemble unit on to cabinet back plate using 1/4" - 20 x 3/8" (Ø6x10) Philips pan head screws supplied in cabinet into weldnut threaded mounting holes provided. For compliance with 2010 ADA Accessibility Standards, install unit so that towel dispenser lever is 48" (1219) maximum above finished floor (MAX AFF).

OPERATION

Towels are fed by lever action until supply is depleted. Towel feed length is adjustable for economy by pin (supplied) limiting of lever stroke length. Unit may be reloaded with a full roll to automatically start when finished with an existing partial (stub) roll. Instructions for paper loading for correct automatic roll transfer are included in unit on label inside back.



AMERICAN SPECIALTIES, INC.
441 Saw Mill River Road, NY 10701
(914) 476.9000 • (914) 476.0688
www.americanspecialties.com

MODEL No: 8370

ISSUED: 04/12

REVISED: 30 April 2013

MANUAL LEVER OPERATED TOWEL DISPENSER (PAGE 2 of 2)

