

HOOVER®

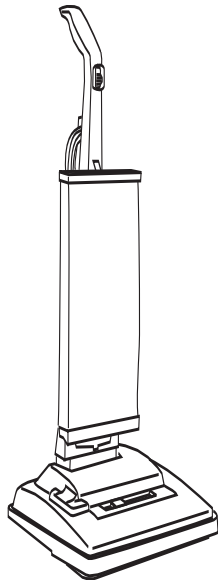
Lightweight Commercial Cleaner

Operating Instructions

ENGLISH → pp.1-9

ESPAÑOL → pág 10-14

FRANÇAIS → p. 15-20



Read these instructions before operating cleaner

Index

Assembling Cleaner	2-5
Cleaner Descriptions	5
How To Use	5-6
If You Have a Problem	8
Important Safeguards	1
Lubrication	8
Maintenance	
Authorized Service	9
Replacing Agitator	8
Replacing Belt	7-8
Replacing Filter Bag	6-7
Unpacking Cleaner	2



DOUBLE INSULATED: When servicing, use only identical replacement parts.

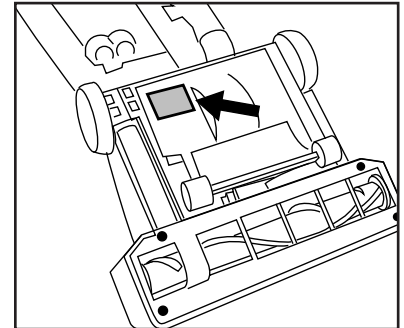
This cleaner meets Occupational Safety and health Act (OSHA-29 CFR 1910 Subpart S) requirements.

Record and retain

Model Number _____

Serial Number _____

(Located on bottom of cleaner as shown)



Important Safeguards

When using an electrical appliance, always follow basic precautions, including the following:

READ ALL INSTRUCTIONS BEFORE USING THIS APPLIANCE

Warning:

To reduce the risk of fire, electric shock, or injury:

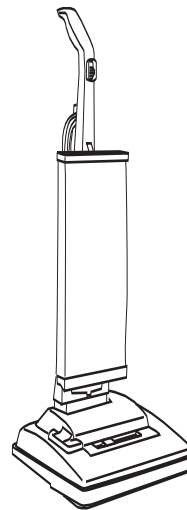
- Do not use outdoors or on wet surfaces.
- This appliance is provided with double insulation. Use only identical replacement parts. See instructions for servicing double insulated appliances.
- Close supervision is necessary when any appliance is used by or near children. Do not allow vacuum cleaner to be used as a toy or to run unattended at any time.
- Keep hair, loose clothing, fingers, feet and all parts of body away from openings, rotating agitator and other moving parts. Do not operate cleaner in bare feet or when wearing open toe shoes or sandals.
- Do not pick up anything that is burning or smoking, such as cigarettes, matches, or hot ashes.
- Do not use to pick up flammable or combustible liquids such as gasoline or fine wood sandings or use in areas where they may be present.
- Avoid picking up hard, sharp objects with the cleaner. They may damage the cleaner and the bag.
- Do not use without dust bag or filters in place. Change bag frequently when picking up very fine materials such as powder.
- Use extra care when cleaning on stairs.
- Do not put any object into openings. Do not use with any opening blocked; keep free of dust, lint, hair, or anything that may reduce air flow.
- Do not pull or carry by cord, use cord as a handle, close door on cord or pull cord around sharp edges or corners. Do not run appliance over cord. Keep cord away from heated surfaces.
- Always disconnect cord from electrical outlet before servicing the cleaner.
- Unplug cleaner when not in use. Turn off all controls before unplugging.
- Do not unplug by pulling on cord. To unplug, grasp the plug, not the cord. Never handle plug or appliance with wet hands.
- The use of an extension cord is not recommended.
- Do not use with damaged cord or plug. If appliance is not working as it should, has been dropped, damaged, left outdoors, or dropped into water, take it to a Hoover Factory Service Center or Authorized Hoover Commercial Warranty Service Distributor.
- Use vacuum cleaner only for its intended use as described in the instructions. Use only attachments recommended by The Hoover Company; others may cause hazards.

Save these instructions!

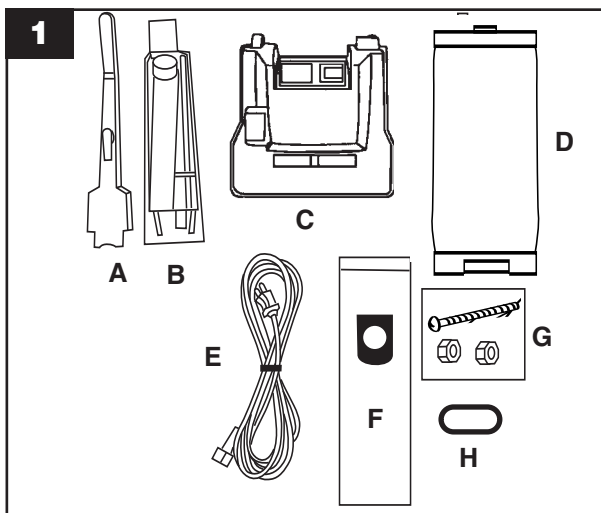
Assembling cleaner

It is extremely important to read and follow all instruction steps in order.

The assembled cleaner will look like this drawing.



STEP 1 Unpack carton

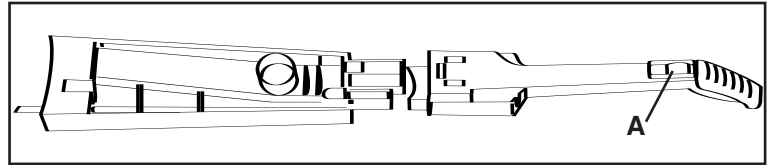
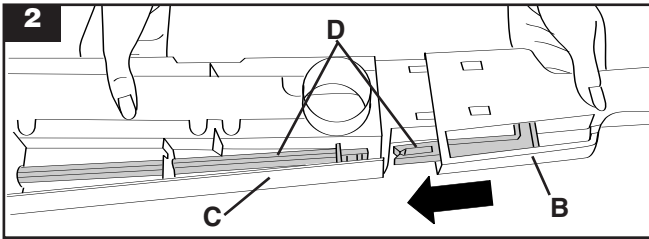


- 1**
- A. Upper handle
 - B. Lower handle
 - C. Cleaner body
 - D. Outer bag
 - E. Cord
 - F. Filter bag
 - G. Handle bolt and nut packet
(One extra nut included)
 - H. Extra belt (One installed on cleaner)

Remove all parts from carton and identify each item shown.

Make sure all parts, especially small items, such as G and H, are located before disposing of cardboard packing.

STEP 2 Assemble handle

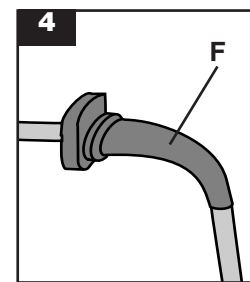
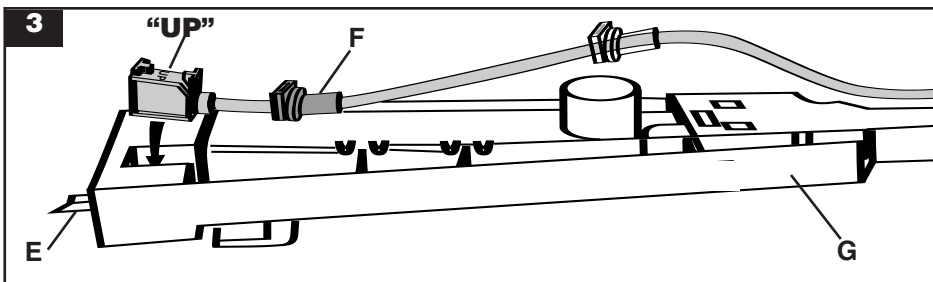


Note: The **white switch lock** above the ON-OFF switch (A) helps in the assembly of your cleaner. Assembly can be continued if the switch lock is missing. However, **do not remove** the switch lock until assembly is completed.

2 Align upper handle and lower handle as shown. Place upper (B) and lower (C) handle parts on a flat surface, aligning rod sections (D). With hand on sides of handle, push parts together firmly until they “click” and rod sections lock together.

Do not press against the rod extending from the lower handle (Fig. 3, “E”). Do not push handle together with hands on the ends of the sections.

STEP 3 Attach cord

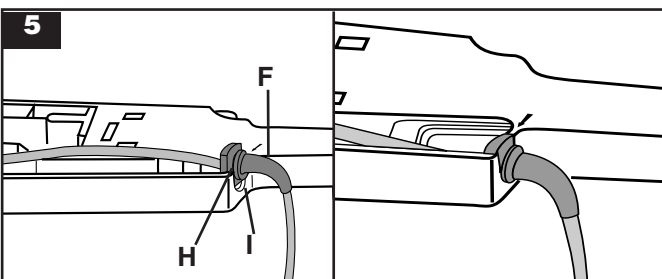


3 Insert **large** rectangular end of cord into pocket in bottom of handle, with side marked “UP” visible.

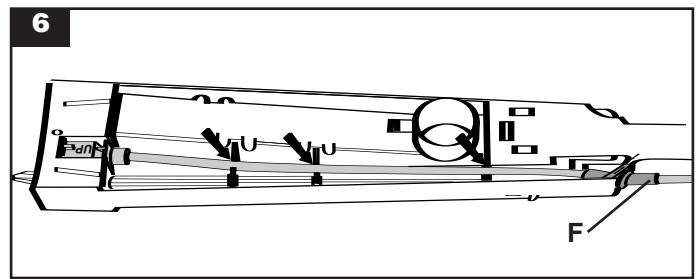
4 Rotate cord protector (F) as shown.

Make sure rectangular end is pushed into handle as far as possible.

Slide cord protector (F) toward upper handle (G).



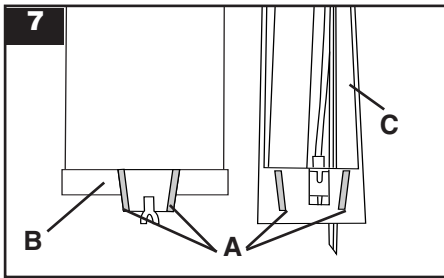
5 With (F) pointing downward (toward back of handle), press groove (H) into slot (I).



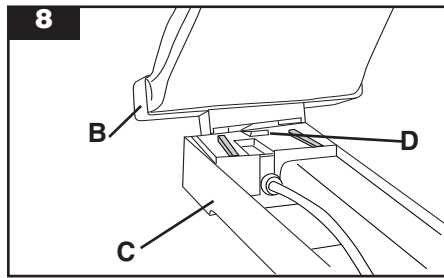
6 Press cord into place at each of the three notches indicated and note correct positioning of (F).

Do not plug cleaner in until assembly is totally complete.

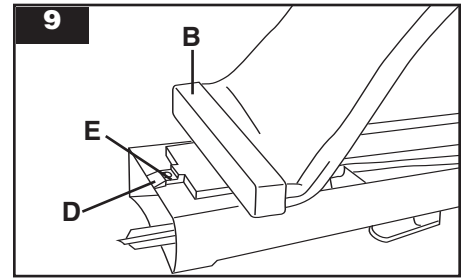
STEP 4 Attach cloth outer bag



7 Note location of tapered rails (A) on back of outer bag base (B) and on front of lower handle (C).

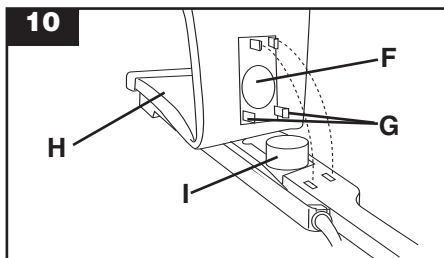


8 Slide rails on outer bag (B) onto rails on lower handle (C) until outer bag base snaps past the lock tab (D).



9 The hole (E) in the handle is visible through the U-shaped extension on the outer bag base (B) when the outer bag base is in position past the lock tab (D).

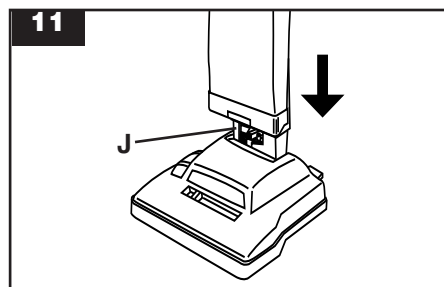
Be sure that power cord is pulled tight and pressed into each of the three notches (Fig. 6) before completing the following steps.



10 Note round opening (F) and hooks (G) on back of outer bag (H).

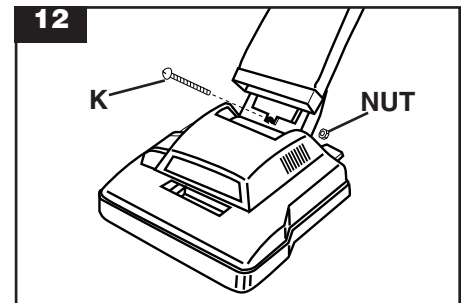
Place opening over dirt tube (I). Unzip outer bag and place hand inside. **Press down firmly to snap hooks into handle.**

STEP 5 Attach handle



With outer bag to the front, place assembled handle onto handle base (J) of cleaner body.

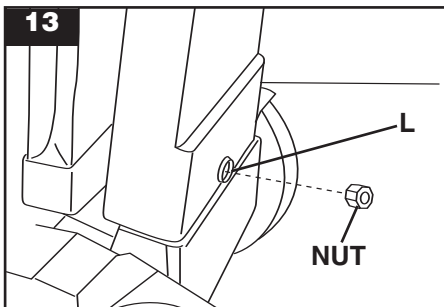
Rock handle side to side while pushing down firmly. Extra pushing effort may be required.



12 Press the handle release lever to move handle to the operating or middle position.

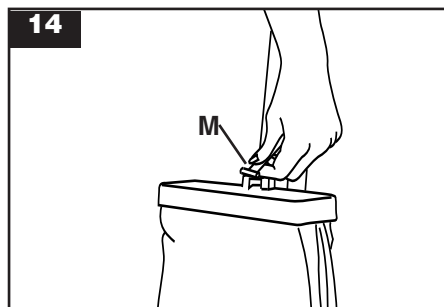
Push **bolt (K)** into hole on lower front of handle.

If bolt will not go through hole easily, handle is not pushed completely down.

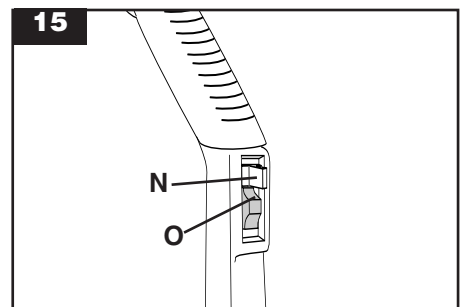


13 Place **nut** in recessed area (L) at **back of handle**. Hold nut in place while tightening bolt securely with a screw driver.

Note: Only one nut is needed on this model. The extra nut is not required but has been provided for your convenience.



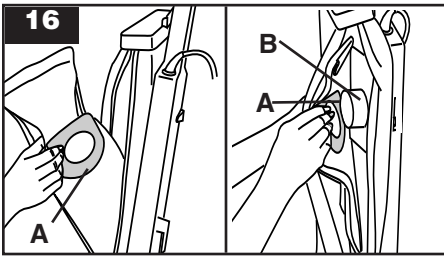
14 On upper front handle, grasp bag clip (M) and pull down firmly. Hook bag clip into slot in bag cap.



15 Pull switch lock (N) above ON/OFF switch (O) straight out. Dispose of lock.

Note: If tab has come off during assembly, make sure switch is in the **OFF** position (down) before plugging cord into an electrical outlet.

STEP 6 Attach filter bag

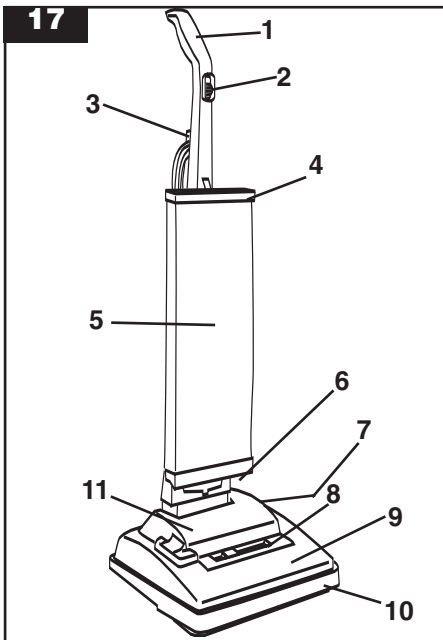


16 Hold filter bag collar (A) as shown. Align opening in filter bag with dirt tube (B) inside the outer bag.

Push bag collar firmly onto dirt tube. Tuck in filter bag; zip outer bag.

CAUTION: When the cleaner is turned ON, the agitator continues to rotate while the handle is in the upright position.

How to use Cleaner description



17 The assembled cleaner will look like the drawing.

1. **Handle**
2. **ON/OFF switch**
3. **Cord hooks:** wrap cord around hooks for storage. Top hook rotates for easy cord release.
4. **Bag cap**
5. **Outer bag**
6. **Stair cleaning handle:** located on lower edge of bag.
7. **Handle release lever:** step on lever to lower handle to operating or low position.
8. **Nozzle control knob:** slide knob to correct setting for height of carpet being cleaned
9. **Cleaner body**
10. **Furniture guard:** helps prevent cleaner from marking furniture.
11. **Hood**

Operate cleaner only at voltage specified on data plate on bottom of cleaner.

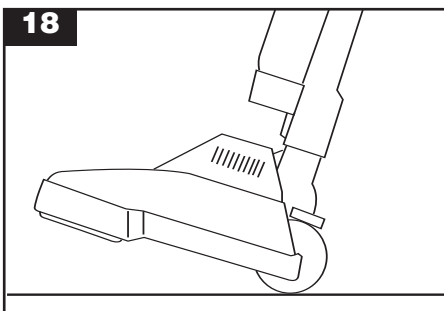
WARNING: Electrical shock could occur if used outdoors or on wet surfaces.

To reduce the risk of electric shock, this appliance has a polarized plug (one blade is wider than the other). this plug will fit in a polarized outlet only one way. If the plug does not fit fully in the outlet, reverse the plug. If it still does not fit, contact a qualified electrician to install the proper outlet. do not change the plug in any way.

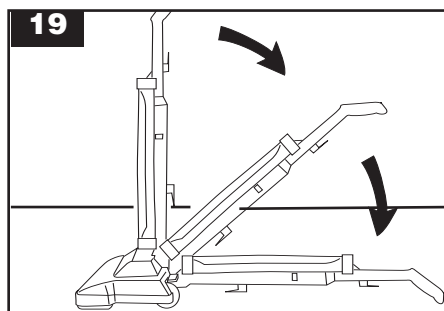
ON/OFF Switch

To turn cleaner on, push switch up.

To turn cleaner off, push switch down.

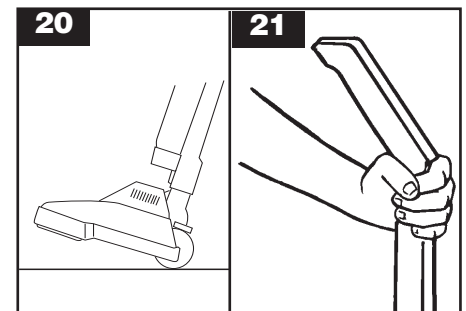


18 Plug cord into electrical outlet. Turn cleaner on and, with handle in upright position, pull back on handle until front of cleaner is lifted off the carpet. This insures that the filter bag is inflated.



19 Handle positions

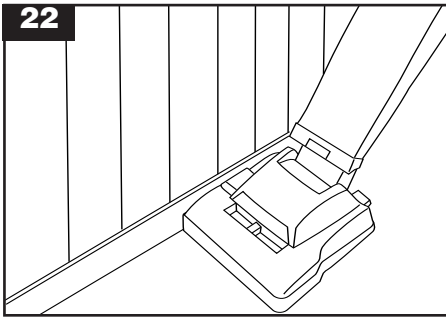
The handle of your cleaner has three positions; **upright** for storage and when using cleaning tools; **operating** for general operation on carpet and floors; **low** for reaching under low furniture. Step on handle release lever to lower handle.



20 Transporting cleaner

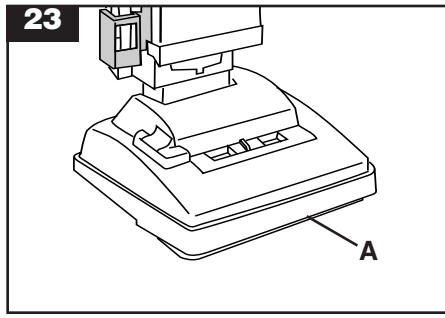
To move your cleaner from room to room, put handle in upright position, tilt cleaner back on rear wheels, and push forward.

21 The cleaner can also be moved by lifting it as shown.



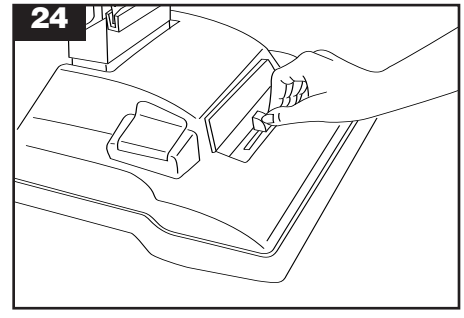
22 Edge cleaning

Edge cleaning is provided on both sides of nozzle to remove dirt in carpet near baseboards and furniture. Guide either side of nozzle parallel to edge of carpet or furniture.



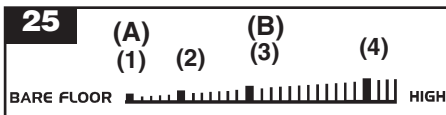
23 Carpet height adjustment

23 The cleaning of carpet and rugs takes place at the nozzle (A).



24 If it is necessary to raise and lower the nozzle for various carpet pile heights, slide the nozzle control knob to the desired setting. For ease in sliding knob, the handle should be in the upright position.

The nozzle will not move into the adjusted position until the cleaner handle is lowered to the operating position.



25 For maximum cleaning performance, the following carpet height settings are recommended.

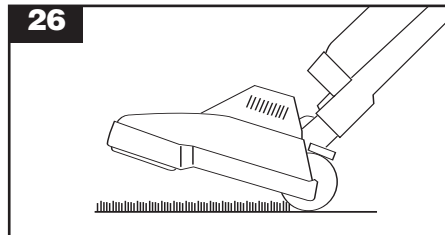
Cleaners with Two Settings:

- **Setting 1 (A):** for bare floors and all carpet types.
- **Setting 2 (B):** if easier pushing effort is desired while maintaining good cleaning performance.

Cleaners with Four Settings:

- **Lowest setting (1):** for bare floors and low pile, level loop, kitchen type carpet.
- **Next setting (2):** for other types of carpet.
- **Higher settings (3-4):** for very deep pile carpet where easier pushing effort is desired, while maintaining good cleaning performance.

Note: If the cleaner is difficult to push, slide knob to the next higher setting.



26 Cleaning lightweight flexible rugs

Stand on one end of rug and move cleaner toward other end or edge. Before reaching edge, push down on handle. This will lift up the nozzle (front of cleaner) and will prevent rug from clinging to cleaner. Continue to lift up nozzle so that when you have reached the edge, it is completely off the rug. Move cleaner back to start again, lower nozzle, and use only forward strokes.

Maintenance

Disconnect cleaner from electrical outlet before attempting to service it in any manner. Do not operate without filter bag in place.

The filter bag When to replace

Check filter bag from time to time. It is recommended that you change the bag when dirt reaches the bottom of the bag collar. If more dirt than this accumulates, your cleaner may not operate effectively.

Note: Check and change the filter bag frequently when using cleaner on new carpet due to rapid accumulation of carpet fluff.

CAUTION: Very fine materials, such as face powder and cornstarch, may seal the filter bag and may cause it to burst even though it is only partially full of dirt. When cleaner is used to remove material of this nature, change filter bag often.

Where to buy

Filter bags may be purchased from your local Authorized Hoover Dealer (Depot), leading retailers, or from a Hoover Factory Service Center.

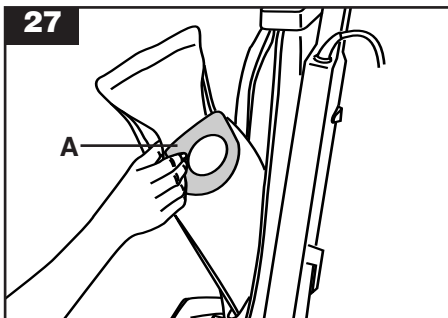
What to buy

Use only **Genuine HOOVER® Allergen Filtration Type A** disposable filter bags in order to maintain the original cleaning effectiveness of your cleaner.

Regular **HOOVER® Type A** disposable filter bags also fit your cleaner.

To assure that your cleaner operates at peak performance, it is imperative that you use only genuine HOOVER filter bags made by The Hoover Company. HOOVER bags can be identified by these trademarks -



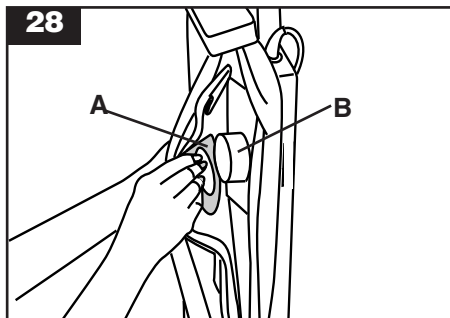


27 How to replace

Disconnect cleaner from electrical outlet.

To change filter bag, unzip outer bag, grasp sides of filter bag collar (A) and pull collar from tube.

Note: Do not clean out old filter bag and reuse. Discard used filter bag.



28

Hold new filter bag as shown. Align opening in filter bag with dirt tube (B).

Push bag collar (A) **firmly** onto tube.

Tuck in filter bag; zip outer bag.

The belt

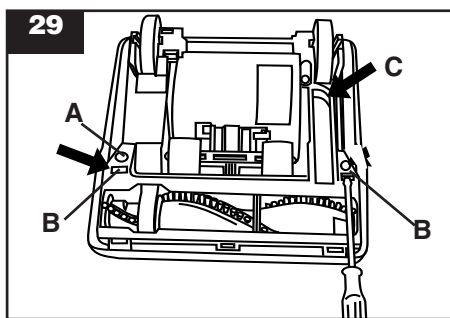
The belt on your cleaner causes the agitator to rotate and is important for the effective operation of the cleaner. The belt is located under the bottom plate of the cleaner and should be checked from time to time to be sure it is in good condition.

When to replace

To check belt, remove bottom plate as shown in "How to replace belt." Replace belt if it is stretched, cut or broken.

What to buy

When purchasing a new belt, ask for **part No. 38528040**.



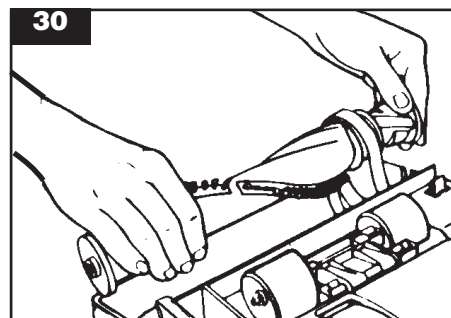
29

How to replace Disconnect cleaner from electrical outlet.

Place handle in lowest position and turn cleaner over.

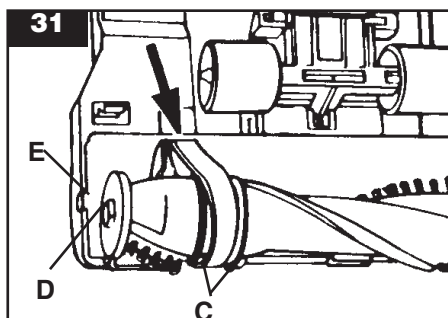
To remove bottom plate remove screw (A), insert end of flat screwdriver into wide area of right-hand slot (B) and push handle of screwdriver to the rear. Repeat in left-hand slot (B).

Lift extension (C) of bottom plate, rotate plate and remove from cleaner body.



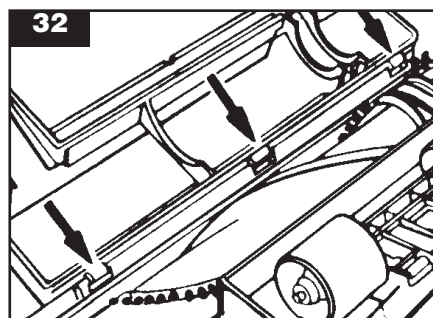
30

Remove agitator and broken agitator belt. (If belt is not broken but is stretched or cut, proceed with steps for Figs. 33 to 35 and pull belt off motor pulley. Then continue with Fig. 31).



31 Slip agitator through new belt (**with lettering toward outside of cleaner**) and position belt in belt guide (C). Push end of belt into opening in cleaner body.

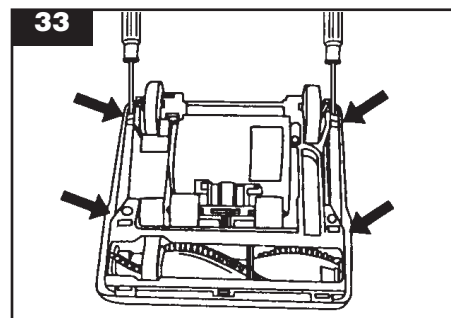
Reposition agitator making sure to align flat sides of projection (D) on belt end of agitator with flat sides of slot (E) in cleaner body.



30

Place the three tabs on bottom plate into slots in front of cleaner body. Snap bottom plate into place over agitator.

Reinsert screw and tighten.

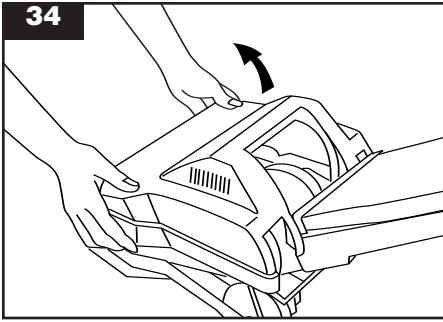


33

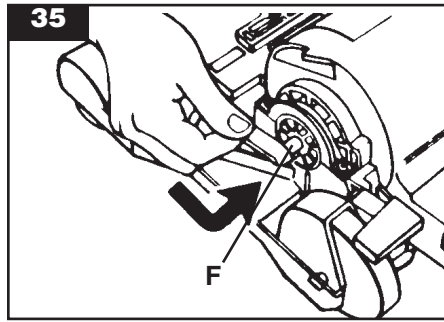
Remove hood by inserting end of flat screwdriver into one of the four slots beside an arrow on bottom of cleaner.

Pry outward to release latch. Repeat to release latches at the remaining three arrows.

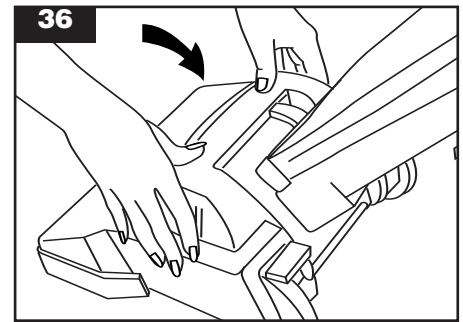
Continued → 7



34 Turn cleaner over and lift off hood.



35 Stretch new belt onto motor pulley (F).
Extra effort may be required to stretch belt onto pulley.
 Turn agitator, making sure belt is not pinched between agitator and cleaner body. The belt must rotate freely inside the belt guide. If the agitator does not turn, remove bottom plate and reposition belt in the belt guide.



36 Place hood on cleaner body and press to snap all four latches. Pull up on hood slightly to make sure all four latches are secured.



**37 The agitator
 When to replace**

Disconnect cleaner from electrical outlet.

When agitator brushes are worn, the agitator should be replaced.

To check condition of brushes, move edge of a card across bottom plate while turning agitator. To maintain cleaning effectiveness, replace agitator if brushes do not touch card.

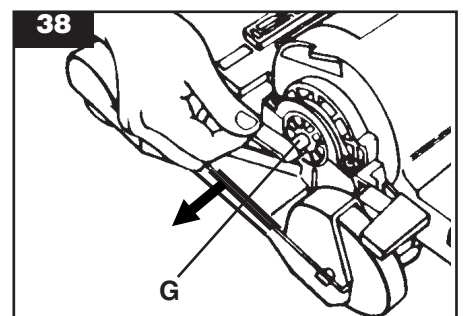
What to buy

The agitator may be replaced with part **No. 48414-155**.

How to replace

Disconnect cleaner from electrical outlet.

Remove hood as shown in Figs. 33 and 34 of “**How to replace belt**”.



38 Pull belt off motor pulley as shown.

Remove bottom plate as shown in Fig. 29 of “**How to replace belt**”. Remove agitator from cleaner and discard.

Reposition belt and new agitator by referring to Figs. 31 to 35.

If you have a problem

If a minor problem occurs, it usually can be solved quite easily when the cause is found by using the checklist below.

Problem: Cleaner won't run

Possible cause

Possible solution

- **Not firmly plugged in**
- *Plug unit in firmly*
- **No voltage in wall plug**
- *Check fuse or breaker*
- **Blown fuse/tripped breaker**
- *Replace fuse/reset breaker*

Problem: Cleaner won't pick up

Possible cause

Possible solution

- **Broken or worn belt**
- *Replace belt*
- **Brush roll brushes worn**
- *Replace brush roll*
- **Filter bag full**
- *Change filter bag*

Lubrication

The motor is equipped with bearings that contain sufficient lubrication for the life of the motor. The addition of lubricant could cause damage.

Therefore, do not add lubricant to motor bearings.

The agitator is equipped with two ball bearings that should be lubricated periodically by a Hoover Factory Service Center or an Authorized Hoover Warranty Service Dealer.

Service

To obtain approved HOOVER service and genuine HOOVER parts, locate the nearest **Hoover Factory Service Center or Authorized Hoover Warranty Service Dealer (Depot)** by:

- Checking the Yellow Pages under "Vacuum Cleaners - Household"
OR
- Call 1-800-944-9200 for an automated referral of authorized service outlet locations (U.S. only).
OR
- Visit us on-line at hoover.com to find the nearest service outlet (follow the service center link).
OR
- Call 1-800-263-6376 to speak with a representative in our Consumer Response Center Mon-Fri 8AM-7PM EST.


Please do not send your cleaner to Hoover, Inc. in Glenwillow for service, this will only result in delay. If further assistance is needed, call 1-800-263-6376 to speak with a representative in our Consumer Response Center Mon-Fri 8AM-7PM EST.

In Canada, contact Hoover Canada, Carson Building, 100 Carson Street, Etobicoke, Ontario M8W 3R9, Phone: 1-800-263-6376 Mon-Fri 8AM-7PM EST.

Always identify your cleaner by the **complete** model number when requesting information or ordering parts. (The model number appears on the bottom of the cleaner.)

Servicing of double-insulated appliances

This vacuum cleaner is double insulated. In a double insulated appliance, two systems of insulation are provided instead of grounding. No grounding means is provided on a double-insulated appliance, nor should a means for grounding be added. Servicing a double-insulated appliance requires extreme care and knowledge of the system, and should be done only by qualified service personnel. **Replacement parts must be identical to those parts being replaced.** A double-insulated appliance is marked with the words "DOUBLE-INSULATION" or "DOUBLE-INSULATED".

The symbol  may also be marked on the appliance.

HOOVER®

Aspiradora comercial liviana

Instrucciones de operacion ESPAÑOL → pág. 10-14

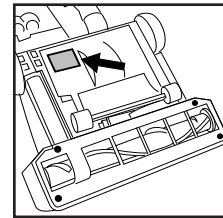


Anote y guarde

Modelo _____

Número de serie _____

(Ubicados en la parte inferior de la aspiradora,
como se muestra)



Lea estas instrucciones antes
de usar la aspiradora.

Índice

Ensamblado de la aspiradora	11
Descripción de la aspiradora	12
Cómo usar	12
Si tiene un problema	13-14
Salvaguardias importantes	10
Lubricación	14
Mantenimiento	
Servicio autorizado	14
Reemplazo del agitador.....	13
Reemplazo de la correa.....	13
Reemplazo de la bolsa de filtro.....	12-13
Desempaquetado de la aspiradora	11



ASLAMIENTO DOBLE: Para reparaciones
y servicio use solamente piezas de
reemplazo idénticas.

Esta aspiradora cumple con los requisi-
tos de la ley de EE.UU sobre salud y
seguridad ocupacional (OSHA-29 CFR
1910 subsección S).

¡Salvaguardias importantes!

Al usar un aparato eléctrico, observe siempre las precauciones básicas,
incluyendo las siguientes:

LEA TODAS LAS INSTRUCCIONES ANTES DE USAR ESTE APARATO

Advertencia: Para reducir el riesgo de incendios,
choques eléctricos o lesiones:

- No lo use en el exterior o en superficies.
- Esta aspiradora está provista con aislamiento doble. Use solamente piezas de repuesto idénticas. Vea las instrucciones para la reparación y servicio de las aspiradoras con aislamiento doble.
- Es necesaria una supervisión estricta cuando cualquier artefacto es utilizado por o cerca de los niños. No permita que la aspiradora sea usada como un juguete ni que funcione sin atención en ningún momento.
- Mantenga el cabello, las ropas holgadas, los dedos, los pies y todas las partes del cuerpo alejados de las aberturas o de otras piezas móviles. No haga funcionar el aparato con los pies descalzos o cuando use zapatos abiertos o sandalias.
- No aspire nada que esté ardiendo o humeando, como son cigarrillos, fósforos o cenizas ardientes.
- No use este aparato para aspirar líquidos inflamables o combustibles como gasolina o restos de madera lijada, ni en áreas donde pudieran encontrarse presentes.
- Evite aspirar objetos duros o afilados con la aspiradora. Estos pueden dañar la aspiradora y el filtro.
- No use el aparato sin la bolsa para el polvo o sin los filtros instalados. Limpie los filtros con frecuencia cuando aspire materiales muy finos como el polvo.
- Tenga especial cuidado al limpiar escaleras.
- No coloque ningún objeto en las aberturas. No lo use con ninguna abertura bloqueada; manténgalo libre de polvo, pelusa, cabello, o cualquier cosa que pueda reducir el flujo de aire.
- No lo tire ni lo transporte por el cordón, no use el cordón como un mango, no cierre la puerta sobre el cordón o tire el cordón alrededor de los bordes afilados o esquinas. No pase el artefacto sobre el cordón. Mantenga el cordón alejado de las superficies calientes.
- Desconecte siempre el cordón del tomacorriente antes de prestar servicio a la aspiradora.
- Desenchufe la aspiradora cuando no esté en uso. Apague todos los controles antes de desenchufar.
- No desenchufe tirando del cordón. Para desenchufar, sujete el enchufe, no el cordón. Nunca manipule el enchufe ni el artefacto con las manos húmedas.
- No se recomienda el uso de un cordón de extensión.
- No use el aparato con un cordón ni con un enchufe dañado. Si no está funcionando como debe, se ha caído, se ha averiado, se ha dejado al aire libre o se ha caído al agua, llévelo al Centro de Servicio de Fábrica Hoover o al Concesionario Autorizado de Servicio de Garantía de Hoover (Depósito).
- Use la aspiradora sólo para su uso específico según se describe en las instrucciones. Use solamente los accesorios recomendados por The Hoover Company; otros pueden ser un riesgo.

¡Guarde estas instrucciones!

Use estas instrucciones en español junto con las figuras paso-a-paso provistas en el manual de inglés.

Ensamblado de la aspiradora

Es muy importante leer y seguir todas las instrucciones en orden.

La aspiradora ya ensamblada debe tener un aspecto semejante al del diagrama.

Paso 1 Desempaque la caja

1

Saque todos los componentes de la caja e identifique cada pieza que se muestra.

Antes de desechar la caja, asegúrese de que tiene todas las piezas, especialmente las pequeñas como G y H.

- A. Mango superior
- B. Mango inferior
- C. Base de la aspiradora
- D. Bolsa exterior
- E. Cordón
- F. Bolsa de filtro
- G. Bolsa con perno y tuercas del mango (se incluye una tuerca adicional)
- H. Correa extra

Paso 2 Ensamblado del mango

2

Alinee las secciones superior e inferior del mango como se muestra. Coloque las secciones superior (B) e inferior (C) del mango en una superficie plana y alinee las secciones del vástago (D) con las manos en los lados del mango, junte las partes firmemente hasta que hagan clic y las secciones del vástago encajen en su lugar.

Tenga cuidado de no presionar contra la varilla gris que se extiende desde la parte inferior del mango. (Fig. 3, "E") No junte las secciones del mango con sus manos en los extremos.

Nota: La traba blanca del interruptor que está encima del interruptor de encendido y apagado (ON-OFF) (A) sirve de ayuda al ensamblar su aspiradora. Se puede continuar ensamblando si no hay la traba del interruptor. Pero si está, **no la retire**

hasta que el ensamblaje se haya completado.

Paso 3 Colocación del cordón

3

Inserte el extremo rectangular **grande** del cordón en la cavidad de la parte inferior del mango, el lado marcado "UP" debe quedar visible.

Asegúrese que el extremo rectangular sea empujado dentro del mango lo más que sea posible.

Deslice el protector del cordón (F) hacia la parte superior del mango (G).

4

Gire el protector del cordón (F) como se muestra.

5

Con (F) apuntando hacia abajo (hacia la parte de atrás del mango), presione la muesca (H) para que entre en la ranura (I).

6

Presione el cordón para en su lugar en cada una de las tres muescas indicadas y observe la posición correcta de (F).

No enchufe la aspiradora hasta que el ensamblado esté totalmente terminado.

Paso 4 Colocación de la bolsa exterior de tela

7

Observe la ubicación de los rieles cónicos (A) en la parte posterior de la base de la bolsa exterior (B) y en la parte delantera del mango inferior (C).

8

Deslice los rieles de la bolsa exterior (B) sobre los rieles del mango inferior (C) hasta que la base de la bolsa exterior encaje, una vez pasada la lengüeta de cierre (D).

9

El orificio (E) en el mango puede verse a través de la extensión en forma de U de la base (B) de la bolsa exterior cuando la base de la bolsa exterior está ubicada más allá de la lengüeta de cierre (D).

Asegúrese de que el cordón esté bien estirado y esté en su lugar a la altura de cada una de las tres muescas (Fig. 6) antes de continuar con los pasos siguientes.

10

Observe la abertura redonda (F) y los ganchos (G) en la parte posterior de la bolsa exterior (H).

Coloque la abertura sobre el tubo de polvo (J). Abra el cierre de cremallera de la bolsa exterior y coloque la mano adentro. **Empuje firmemente hacia abajo para encajar los ganchos en el mango.**

Paso 5 Colocación del mango

11

Con la bolsa exterior orientado hacia el frente, coloque el mango ensamblado (J) en su sitio en la base de la aspiradora.

Mueva de un lado a otro el mango y, al mismo tiempo, empuje firmemente hacia abajo. Se podría requerir esfuerzo adicional al empujar.

12

Pise la palanca para destrabar el mango para moverlo a la posición de operación o a la posición vertical.

Empuje el **perno** (K) en el orificio, en la parte inferior **delantera del mango**.

Si se presentan dificultades para pasar el perno por el orificio, verifique que el mango esté asentado completamente.

13

Coloque la **tuerca** en la depresión (L) en **la parte posterior del mango**. Sosténgala en su lugar mientras ajusta bien el perno con un destornillador.

Nota: En este modelo, se requiere sólo una tuerca. La otra se incluye sólo para su conveniencia.

14

En la parte delantera del mango superior, tome la presilla (M) de la bolsa y tirela firmemente hacia abajo. Enganche la presilla en la ranura en la tapa de la bolsa.

15

Jale hacia afuera la traba (N) blanca que está encima del interruptor (O) de encendido y apagado. Tire la traba.

Nota: Si la traba se ha salido durante el ensamblaje, asegúrese que el interruptor esté en la posición de apagado (OFF) hacia abajo antes de enchufar el cordón en el tomacorriente.

Paso 6 Colocación de la bolsa de filtro

16

Sujete el collar de la bolsa de filtro (A) como se muestra. Alinee la boca de la bolsa de filtro con el tubo (B) dentro de la bolsa exterior.

Empuje el collar de la bolsa firmemente dentro de filtro con el tubo. Acomode la bolsa de filtro; cierre la cremallera de la bolsa exterior.

CUIDADO: Cuando se enciende la aspiradora, el agitador continúa girando cuando el mango está vertical.

Uso de la aspiradora

Descripción de la aspiradora

La aspiradora ensamblada debe tener un aspecto semejante al del diagrama de abajo.

17

1. **Mango**
2. **Interruptor de encendido y apagado**
3. **Ganchos para el cordón:** enrosque el cordón alrededor de los ganchos para guardarlo. El gancho superior se puede rotar a la derecha o a la izquierda para poder soltar el cable fácilmente.
4. **Tapa de la bolsa**
5. **Bolsa exterior**
6. **Mango para limpieza de escalones:** ubicado en el borde inferior de la bolsa.
7. **Palanca para destrabar el mango:** píselo para bajar el mango a la posición de operación o baja.
8. **Control de la altura de la boquilla para limpiar alfombras:** deslice el control hasta la posición apropiada para el espesor de la alfombra a limpiarse.
9. **Cuerpo de la aspiradora**
10. **Protección para muebles:** ayuda a

impedir que la aspiradora marque los muebles.

11. Cubierta

Haga funcionar la aspiradora solamente con el voltaje especificado en la placa de datos que se encuentra en la parte inferior de la aspiradora.

ADVERTENCIA: Puede ocurrir choque eléctrico si se usa en el exterior o sobre superficies mojadas.

Para disminuir el riesgo de choque eléctrico este artefacto tiene un enchufe polarizado (una patilla es más grande que la otra). Este enchufe se podrá poner en una toma de corriente polarizada solamente de una manera. Si el enchufe no se adapta bien a la toma de corriente inviértalo. Si sigue sin adaptarse contacte a un electricista calificado para instalar la toma de corriente adecuada. No modifique el enchufe en ninguna forma.

Interruptor de encendido y apagado (ON/OFF)

Para encender la aspiradora (ON), empuje el interruptor hacia arriba.

Para apagar la aspiradora (OFF), empuje el interruptor hacia abajo.

18

Enchufe el cordón en una toma de corriente eléctrica. Encienda la aspiradora y, con el mango en posición vertical, jale el mango hacia atrás, hasta que la parte frontal de la aspiradora se levante de la alfombra. Esto hace que se infle la bolsa.

19

Posiciones del mango

El mango de su aspiradora tiene tres posiciones: **vertical**, para almacenamiento y para usar los accesorios de limpieza; **de operación**, para uso general sobre alfombras y pisos; y **baja**, para aspirar debajo de muebles de poca altura. Pise la palanca para destrabar el mango y bajarlo.

20

Traslado de la aspiradora

Para mover la aspiradora de una habitación a otra, coloque el mango en la posición vertical, incline la aspiradora hacia atrás sobre las ruedas traseras y empújela hacia adelante.

21

La aspiradora también se puede mover cargándola, como se muestra.

22

Limpieza de los bordes

Ambos costados de la parte delantera de la aspiradora proveen limpieza de los bordes para ayudar en la limpieza de las alfombras cerca de los zócalos y muebles. Pase cualquier costado de la aspiradora paralelo al borde de la alfombra o el mueble.

23

Ajuste de la altura para alfombras

La limpieza de la alfombra ocurre en la boquilla (A).

24

Cuando sea necesario elevar y bajar la boquilla de la parte delantera de la aspiradora para limpiar alfombras de distintos espesores, deslice el control de la altura de la boquilla a la posición deseada.

Para facilitar el deslizamiento del control, el mango debe estar en la posición vertical.

La boquilla no se moverá a la posición de ajuste hasta después de bajar el mango a la posición de operación.

25

Para obtener el máximo rendimiento de limpieza, se recomiendan las siguientes posiciones, según la altura de la alfombra.

Aspiradoras con dos posiciones:

• **Posición 1 (A):** para pisos desnudos y todo tipo de alfombras

• **Posición 2 (B):** si se desea disminuir el esfuerzo de empuje en tanto que se mantiene una buena eficiencia de limpieza.

Aspiradoras con cuatro posiciones:

• **Posición (1), la más baja:** para pisos no cubiertos y alfombras delgadas, puntada cerrada, tipo de cocina.

• **Posición (2), la siguiente:** para otros tipos de alfombras.

• **Posiciones (3-4), las más altas:** alfombras de gran espesor en cuyo caso se desea facilitar el esfuerzo al empujar pero mantener una buena limpieza.

Nota: Si le cuesta mucho empujar la aspiradora, deslice el botón a la siguiente posición más alta.

26

Limpieza de alfombras flexibles y livianas

Párese en un extremo de la alfombra y pase la aspiradora hacia el otro extremo o borde. Antes de llegar al borde, empuje el mango hacia abajo con lo cual se levantará la boquilla (parte delantera de la aspiradora) y evitará que la alfombra se pegue a la aspiradora. Continúe levantando la parte delantera de la aspiradora para que cuando llegue al borde esté completamente separada de la alfombra. Retroceda la aspiradora para comenzar otra vez, baje la parte delantera de la aspiradora y pásela solamente hacia adelante.

Mantenimiento

Desenchufe la aspiradora de la toma de corriente eléctrica antes de intentar hacerle cualquier reparación.

No utilice la aspiradora si la bolsa de papel no está colocada en su lugar.

La bolsa de filtro Cuándo reemplazarla

Revise el filtro periódicamente. Se recomienda que cambie la bolsa de filtro cuando la suciedad llegue a la parte inferior del collar de la bolsa. Si el polvo se acumula más arriba de esta línea, es posible que su aspiradora no funcione eficazmente.

NOTA: Cuando use la aspiradora en alfombras nuevas, revise y cambie a menudo la bolsa de filtro, por causa de la acumulación de pelusa.

PRECAUCIÓN: Los materiales muy finos, tales como el talco facial et la maicena, podrían sellar la bolsa de papel y ocasionar que se rompa aunque esté sólo parcialmente llena de polvo. Cuando use la aspiradora para retirar material de esta índole, cambie la bolsa de filtro a menudo.

Dónde comprarla

Las bolsas de filtro puede comprarlas del Concesionario Autorizado de Hoover (Depósito) o de un Centro de Servicio de Fábrica Hoover.

Qué comprar

Utilice solamente bolsas de filtro genuinas de HOOVER®, Tipo A, desechables y con filtración de algernos para mantener la eficacia original de limpieza de su aspiradora. Las bolsas de filtro desechables regulares HOOVER® Type A también se pueden usar con su aspiradora.

Para asegurar que su aspiradora funcione al máximo de su eficacia, es

importante que use únicamente las bolsas de filtro genuinas HOOVER distribuidas por The Hoover Company. Las bolsas HOOVER se pueden identificar por las siguientes marcas registradas -



27

Cómo reemplazarla

Desenchufe la aspiradora de la toma de corriente eléctrica.

Para cambiar la bolsa de filtro, abra el cierre de cremallera de la bolsa exterior, tome los lados del collar (A) de la bolsa y extraiga el collar del tubo.

Nota: No vacíe la bolsa usada ni la vuelva a usar. Deseche la bolsa usada.

28

Sujete la bolsa de filtro nueva como se muestra. Alinee la boca de la bolsa con el tubo (B).

Haga entrar **firmemente** el collar (A) de la bolsa dentro del tubo.

Acomode la bolsa de filtro; cierre la cremallera de la bolsa exterior.

La correa

La correa hace posible que el agitador gire y es importante para el funcionamiento eficaz de su aspiradora. Está ubicada debajo de la placa inferior de la aspiradora y se debe revisar periódicamente para asegurarse de que esté en buenas condiciones.

Cuándo reemplazarla

Para inspeccionar la correa, extraiga la placa inferior según se muestra en "Cómo reemplazar la correa". Reemplácela si está estirada, rota o cortada.

Qué comprar

Cuando compre una correa nueva, pida la **pieza No. 38528040**.

29

Cómo reemplazarla

Desenchufe la aspiradora de la toma de corriente eléctrica.

Coloque el mango en la posición de operación y voltee la aspiradora de modo que la parte inferior quede hacia arriba.

Para retirar la placa inferior, retire la

tornillo (A), introduzca el extremo de un destornillador plano en el área ancha de la ranura de la derecha (B) y empuje el mango del destornillador hacia la parte de atrás. Repita en la ranura de la izquierda (B).

Levante la extensión (C) de la placa inferior, gire la placa y retírela de la base de la aspiradora.

30

Retire el agitador y la correa rota del agitador.

(Si la correa no está rota pero sí estirada o cortada, siga lo indicado en las figuras 33 to 35 y jale la correa para retirarla de la polea del motor. Después, continúe con lo indicado en la figura 31).

31

Deslice el agitador en la nueva correa (con las letras hacia afuera de la aspiradora) y coloque la correa en su guía (C). Empuje el extremo de la correa en la abertura del cuerpo de la aspiradora. Vuelva a colocar el agitador, asegurándose de alinear los lados planos de la saliente (D) del extremo de la correa del agitador con los lados planos de la ranura (E) en la base de la aspiradora.

32

Coloque las tres lengüetas ubicadas en la placa inferior en las ranuras ubicadas en la parte frontal de la base de la aspiradora. Encaje la placa inferior sobre el agitador. Volver a colocar la tornillo. Atornillarlos firmemente.

33

Retire la cubierta e introduzca el extremo de un destornillador plano en una de las cuatro ranuras, junto a una flecha, en la parte inferior de la aspiradora.

Haga palanca hacia afuera para soltar la traba. Repita la acción para soltar las trabas correspondientes a las tres flechas restantes.

34

Voltee la aspiradora y saque la cubierta.

35

Estire la correa nueva sobre la polea del motor (F).

Se podría requerir de esfuerzo adicional para estirar la correa sobre la polea.

Gire el agitador, asegurándose de que

la correa no quede presionada entre el agitador y la base de la aspiradora. La correa debe poder girar libremente en su guía. Si el agitador no gira, retire la placa inferior y vuelva a colocar la correa dentro de su guía.

36

Coloque la cubierta sobre el cuerpo de la aspiradora y presiónela para que encajen las cuatro trabas. Jale ligeramente la cubierta hacia arriba para asegurarse de que las cuatro trabas hayan quedado aseguradas.

37

Reemplazo del rodillo agitador de escobillas

Cuándo reemplazarlo

Desenchufe la aspiradora de la toma de corriente eléctrica.

Cuando los cepillos del rodillo de escobillas se gastan, se debe reemplazar el rodillo. Para verificar la condición de los cepillos, pase el borde de una tarjeta de un lado a otro de la placa de la base, mientras gira el rodillo de escobillas. Para mantener la eficacia de la aspiradora, reemplace el rodillo de escobillas si los cepillos no tocan la tarjeta.

Qué comprar

El agitador se puede reemplazar con la **pieza No. 48414-155**.

Cómo reemplazarlo

Desenchufe la aspiradora de la toma de corriente eléctrica.

Retire la cubierta como se muestra en las figuras 33 & 34 de la sección “**Cómo reemplazarla**”.

38

Jale la correa para retirarla de la polea del motor, como se muestra.

Retire la placa inferior, la correa y el agitador, como se muestra en la figura 29 de la sección “**Cómo reemplazarla**”.

Extraiga el agitador de la aspiradora y descártelo.

Vuelva a colocar la correa y el nuevo agitador consultando las figuras 31 a la 35.

Si tiene un problema

Si ocurre un problema menor, generalmente puede resolverse con bastante facilidad cuando se halla la causa, usando esta lista de verificación.

Problema: La aspiradora no funciona

Causa posible

Solución posible

- **No está bien enchufada**
 - *Enchúfela bien*
- **No hay voltaje en la toma de corriente eléctrica de la pared**
 - *Inspeccione el fusible o el interruptor*
- **Fusible quemado/se disparó el interruptor**
 - *Cambie el fusible/reconecte el interruptor*

Problema: La aspiradora no aspira

Causa posible

Solución posible

- **La correa está rota o desgastada**
 - *Cambie la correa*
- **Las escobillas del rodillo de escobillas están desgastados**
 - *Cambie el rodillo de escobillas*
- **La bolsa de filtro está llena**
 - *Cambie la bolsa de filtro*

Lubricación

El motor tiene cojinetes que cuentan con suficiente lubricación para toda la duración del motor. La adición de lubricantes podría causar daños. **Por lo tanto, no añada lubricante a los cojinetes del motor.**

El agitador tiene dos cojinetes de bolas que deberán ser lubricados periódicamente en un Centro de Servicio de Hoover o por un Concesionario Autorizado de Servicio de Hoover.

Servicio

Para obtener el servicio autorizado HOOVER y piezas genuinas HOOVER, localice el **Centro de servicio de fábrica de Hoover o el Concesionario autorizado de servicio de garantía de Hoover (Depósito)** más cercano:

- Buscando en las páginas amarillas de la guía de teléfonos, bajo “Vacuum Cleaners - Household” (“Aspiradoras - Artículos del Hogar”)



- Visítenos en nuestra página de Internet en www.hoover.com para

encontrar el centro de servicio más cercano a usted.



- Llame al 1-800-944-9200 para obtener una referencia automática de la ubicación de los centros de servicio autorizados (EE.UU. solamente)

No envíe su aspiradora a Hoover, Inc. en Glenwillow para obtener servicio; esto sólo le causará demoras.


Si necesita asistencia adicional, llame 1-800-263-6376 para hablar a un representante Hoover de atención al consumidor de lunes a viernes, 8am-7pm, hora del Este.

En Canadá, comuníquese con Hoover Canada, Carson Building, 100 Carson Street, Etobicoke, Ontario M8W 3R9, Phone: 1-800-263-6376 de lunes a viernes, 8am-7pm, hora del Este.

Al solicitar información u ordenar piezas, identifique siempre su aspiradora por el número **completo** de modelo. (El número de modelo figura en la parte posterior de la aspiradora.)

Servicio de los artefactos con aislamiento doble

Esta aspiradora tiene aislamiento doble. En un artefacto con aislamiento doble se proporcionan dos sistemas de aislamiento en lugar de la conexión a tierra. En un artefacto con aislamiento doble no se provee un medio de conexión a tierra, ni se le debe añadir uno. Los trabajos de servicio en un artefacto con aislamiento doble requieren mucho cuidado y buen conocimiento del sistema, y debe hacerlo personal técnico calificado solamente. **Las piezas de repuesto deben ser idénticas a las que se están reemplazando.** Un artefacto con aislamiento doble está marcado con las palabras “DOUBLE-INSULATION” o “DOUBLE INSULATED” (AISLAMIENTO DOBLE).

El símbolo  también puede estar estampado en el artefacto.

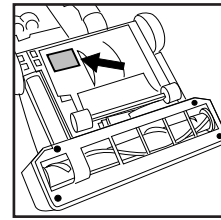
HOOVER®

Aspirateur commercial

Mode d'emploi
FRANÇAIS → p. 15-20



Remplir et conserver
Numéro de modèle _____
Numéro de série _____
(Inscrits au base de l'appareil.)



Lire attentivement ces instructions
avant d'utiliser l'aspirateur.

Index

Assemblage	16
Description de l'aspirateur	17
Utilisation	
Aspirateur vertical	17
Dépannage	19
Consignes de sécurité importantes	15
Lubrification	19
Entretien	
Service autorisé	19
Remplacement de l'agitateur	19
Remplacement de la courroie	18
Remplacement du sac filtrant	18
Déballage de l'aspirateur	16



DOUBLE ISOLATION: Pour toute opération d'entretien, n'utiliser que des pièces de rechange identiques à celles d'origine. Cet appareil satisfait aux normes de l'Occupational Safety and Health Act (OSHA-29 CFR 1910, sous-section S) des États-Unis.

Consignes de sécurité importantes !

Durant l'utilisation d'un appareil électrique, toujours respecter les précautions élémentaires, y compris les consignes suivantes :

LIRE TOUTES LES INSTRUCTIONS AVANT D'UTILISER CET APPAREIL

Avertissement : Afin de réduire au minimum les risques d'incendie, de choc électrique ou de blessures :

- Éviter d'utiliser l'appareil à l'extérieur ou sur une surface mouillée.
- Cet appareil est fourni avec une double isolation. Utiliser uniquement des pièces de rechange identiques. Consulter les instructions pour la réparation des appareils à double isolation.
- Faire preuve d'une grande prudence lorsque tout appareil est utilisé par des enfants ou près de ceux-ci. Éviter que l'aspirateur soit utilisé comme jouet ou laissé en marche sans surveillance.
- Garder cheveux, vêtements, doigts, pieds ou toute autre partie du corps à bonne distance des ouvertures et des pièces mobiles de l'appareil. Éviter d'utiliser l'appareil en portant les sandales, ou les chaussures ouvertes.
- Éviter que l'aspirateur ne ramasse toute matière qui dégage de la fumée ou qui brûle, comme des cigarettes, des allumettes ou des cendres encore chaudes.
- Éviter d'aspirer des liquides inflammables ou des combustibles comme de l'essence ou de la sciure, et d'utiliser l'appareil dans des endroits où l'on en trouve.
- Éviter d'aspirer des objets durs et acérés. Ils pourraient endommager l'aspirateur et le filtre.
- Éviter d'utiliser l'appareil si le sac et/ou filtres ne sont pas en place. Vider le sac en tissu, ou remplacer le sac en papier, si des matériaux très fins sont aspirés (p. ex. de la poudre).
- Faire preuve d'une grande prudence pendant le nettoyage d'escaliers.
- Éviter d'introduire des objets dans les ouvertures. S'assurer qu'aucune ouverture n'est obstruée; garder celles-ci exemptes de poussière, de mousse, de cheveux ou de tout autre matière qui pourrait réduire le débit d'air.
- Éviter de tirer l'appareil par le cordon d'alimentation, d'utiliser le cordon pour transporter ou soulever l'appareil, de coincer, d'écraser ou de tirer le cordon autour de coins ou d'arêtes vives. Garder le cordon loin de toute surface chauffée.
- Toujours débrancher l'aspirateur avant d'en faire l'entretien.
- Débrancher l'appareil s'il n'est pas utilisé. Désactiver toutes les commandes avant de débrancher l'appareil.
- Éviter de tirer sur le cordon d'alimentation pour débrancher l'appareil. Saisir plutôt la fiche et non le cordon. Ne jamais manipuler la fiche ou l'appareil avec les mains mouillées.
- L'utilisation d'une rallonge électrique n'est pas recommandée.
- Éviter d'utiliser si la fiche ou le cordon sont endommagés. Si l'appareil fonctionne mal, s'il est tombé par terre ou dans l'eau, s'il est endommagé ou laissé à l'extérieur, il doit être apporté à un Centre de service usine Hoover ou à un atelier de service garanti autorisé Hoover.
- N'utiliser cet aspirateur que conformément à son usage prévu, tel que décrit dans le présent guide. N'utiliser que les accessoires recommandés par Hoover; d'autres accessoires pourraient s'avérer dangereux.

Rangez et conservez ces instructions !

Utiliser les instructions numérotées de cette section française avec les illustrations numérotées correspondantes de la section anglaise de ce guide.

Assemblage

Il est très important de bien lire et de suivre dans l'ordre toutes les instructions.

La figure ci-contre illustre l'appareil une fois celui-ci assemblé.

Étape 1 Contenu de l'emballage

1

Retirer l'aspirateur de sa boîte et identifier les pièces illustrées.

Avant de disposer de l'emballage en carton, s'assurer qu'aucune pièce, surtout les petits articles (p. ex. G et H), ne manque.

- A. Section supérieure du manche
- B. Section inférieure du manche
- C. Base de l'appareil
- D. Sac extérieur
- E. Cordon d'alimentation
- F. Sac filtrant en papier
- G. Boulon d'assemblage du manche et sac d'écrous (un écrou supplémentaire inclus)
- H. Courroie supplémentaire

Étape 2 Montage du manche

2

Aligner les sections supérieure et inférieure du manche tel qu'illustré. Placer les parties supérieure (B) et inférieure (C) du manche sur une surface plate, en alignant les tiges (D). Pousser fermement les deux sections l'une vers l'autre jusqu'à ce qu'un déclic se fasse entendre et que les sections de tige soient verrouillées.

S'assurer de n'exercer aucune pression sur la tige sortant de la partie inférieure du manche (Fig. 3, "E"). Au moment de l'assemblage, éviter de placer les mains aux extrémités des parties du manche.

Remarque : Le verrou blanc, située au-dessus de l'interrupteur MARCHE/ARRÊT (ON/OFF) (A), s'avère utile lors

de l'assemblage de l'aspirateur. Même s'il est possible de procéder à l'assemblage lorsque l'interrupteur n'est pas verrouillé, veiller à **ne pas l'enlever** avant que l'assemblage ne soit terminé.

Étape 3 Pose du cordon

3

S'assurer que le côté marqué « UP/HAUT » est visible, puis insérer la **grande** extrémité dans le logement au du compartiment du sac.

Vérifier que la fiche est enfoncée le plus profondément possible.

Faire **glisser** le protège-cordon (F) le long de la partie supérieure du manche (G).

4

Faire tourner le protège-cordon (F) qu'illustré.

5

Une fois le protège-cordon (F) orienté vers le bas, enfoncer le sillon (H) dans la rainure (I).

6

Enfoncer le cordon en place à chacune des trois encoches indiquées, puis vérifier la position correcte de (F).

Éviter de brancher l'aspirateur si l'assemblage n'est pas complètement terminé.

Étape 4 Pose du sac extérieur en tissu

7

Remarque l'emplacement des rails biseautés (A) sur l'arrière de la base du sac extérieur (B) et à l'avant de la section inférieure du manche (C).

8

Faire glisser les rails du sac extérieur (B) sur les rails du bas du manche (C) jusqu'à ce que la base du sac extérieur se bloque passé l'onglet de verrouillage (D).

9

Le trou (E) dans le manche est visible par la rallonge en U de la base du sac extérieur (B) lorsque celle-ci est en position passé l'onglet de verrouillage

(D).

Avant de poursuivre l'assemblage, vérifier aussi que le cordon d'alimentation est bien tiré et enfoncé dans chacune des trois encoches (Fig. 6).

10

Remarque l'ouverture ronde (F) et les crochets (G) à l'arrière du sac extérieur (H).

Placer l'ouverture au-dessus du tube à poussière (J). Ouvrir le sac extérieur et introduire la main à l'intérieur. **Pousser fermement vers le bas pour que les crochets entrent dans le manche.**

Étape 5 Pose du manche

11

Avec le sac extérieur orienté vers l'avant, placer le manche assemblé (J) sur la base de l'aspirateur.

Balancer le manche de gauche à droite tout en appuyant fermement. Une force supplémentaire peut être requise pour cette étape.

12

Enfoncer le levier de dégagement du manche pour amener celui-ci à sa position de fonctionnement, ou position médiane.

Enfoncer le **boulon** (K) dans le trou de la partie inférieure **avant du manche.**

Si l'insertion du boulon s'avère difficile, le manche n'est pas complètement enfoncé.

13

Placer l'**écrou** dans la partie en retrait (L) à **l'arrière du manche.** Maintenir l'écrou en place tout en serrant le boulon avec un tournevis.

Remarque : Un seul écrou est requis pour ce modèle. Un écrou supplémentaire est inclus, pour plus de commodité.

14

En haut du manche, saisissez l'agrafe (M) du sac et tirez-la fermement vers le bas pour la bloquer dans l'encoche du couvercle du sac.

15

Tirer sur le verrou (N) au-dessus de

l'interrupteur MARCHE/ARRÊT (O) pour l'enlever. Mettre le verrou au rebut.

Remarque : si le verrou s'est enlevé au cours de l'assemblage, s'assurer que l'interrupteur est à la position Arrêt (OFF) (vers le bas) avant de brancher le cordon à une prise d'alimentation.

Étape 6 Pose du sac en filtrant

16

Tenez le collier du sac (A) jetable comme illustré. Placez son ouverture sur le tube d'aspiration (B) dans le sac extérieur.

Enfoncez le collier du sac sur le tube. Introduisez le sac et fermez la glissière du sac extérieur.

Remarque : Si la languette s'est détachée au cours du montage, s'assurer que l'interrupteur est à la position OFF (vers le bas) avant de brancher le cordon dans une prise d'alimentation.

Utilisation

Description de l'appareil

La figure ci-contre illustre l'aspirateur une fois assemblé.

17

1. **Manche**
2. **Interrupteur MARCHE/ARRÊT**
3. **Crochets pour cordon d'alimentation** : enrouler le cordon autour des crochets pour son rangement. Le crochet supérieur peut être tourné vers la droite ou la gauche pour dégager le fil.
4. **Capuchon du sac**
5. **Sac extérieur**
6. **Levier de dégagement du manche** : appuyer sur le levier pour abaisser le manche à la position de fonctionnement ou à la position basse.
7. **Levier de dégagement du manche** : appuyer sur le levier pour abaisser le manche à la position de fonctionnement ou à la position basse.
8. **Commande de réglage de la hauteur** : faire glisser pour régler selon la longueur des poils du tapis à nettoyer.
9. **Base de l'appareil**
10. **Protège-meubles** : empêche l'aspirateur de marquer les meubles.
11. **Couvercle**

N'utiliser l'aspirateur qu'à la tension spécifiée sur la plaque signalétique au bas de l'appareil.

AVERTISSEMENT : Il y a risque de choc électrique si l'appareil est utilisé à l'extérieur ou sur des surfaces humides.

Note : Afin que les risques d'électrocution soient minimes, cet appareil a été pourvu d'une prise mâle polarisée (une branche est plus large que l'autre). Elle ne pourra entrer dans une prise d'alimentation que dans un sens. Si la prise mâle n'entre pas, la retourner et essayer de nouveau. Si elle ne peut être branchée, s'adresser à un électricien qualifié, qui installera une prise d'alimentation conforme. Ne modifier la prise mâle sous aucun prétexte.

Interrupteur Marche/Arrêt

Pour mettre l'appareil en marche (ON), pousser l'interrupteur vers le haut.

Pour arrêter l'appareil (OFF), pousser l'interrupteur vers le bas.

18

Pour s'assurer que le sac est bien gonflé, brancher l'appareil à une prise d'alimentation et mettre l'appareil en marche. Placer le manche à la verticale, puis tirer sur celui-ci jusqu'à ce que le devant de l'appareil soit gonflé.

19

Positions du manche

Le manche de l'aspirateur comporte trois positions ; position **verticale**, pour le rangement et pendant l'utilisation d'embouts ; **position de fonctionnement**, pour l'utilisation normale sur les planchers et tapis ; et position **basse** pour nettoyer sous les meubles. Appuyer avec le pied sur le levier de dégagement du manche pour abaisser celui-ci.

20

Transport de l'aspirateur

Pour déplacer l'appareil d'une pièce à l'autre, placer le manche à la position verticale, incliner l'appareil sur ses roues arrière, et pousser.

21

On peut aussi soulever l'aspirateur pour le transporter, tel qu'illustré.

22

Aspiration de coin

Les deux côtés de la buse de l'aspirateur sont pourvus de balais latéraux qui aident au ramassage de la saleté se trouvant très près des meubles et des plinthes. Il suffit de placer n'importe quel côté de l'aspirateur parallèle au bord du mur ou du meuble.

23

Réglage de la hauteur

La buse (A) nettoie les tapis et moquettes.

24

Lorsqu'il est nécessaire de monter ou d'abaisser la buse en fonction des différentes longueurs de poils de tapis, il suffit de régler le sélecteur de la façon appropriée.

Le sélecteur coulissera plus facilement si le manche est à la verticale.

Le devant de l'appareil ne s'ajustera pas à la position voulue tant que le manche ne sera pas à la position de fonctionnement.

25

Pour une performance maximale, les réglages de hauteur suivants sont recommandés :

Aspirateurs à deux réglages :

- **Réglage le plus bas (A)** : pour sol nus et tous les types de moquette.

- **Réglage le plus haut (B)** : si vous souhaitez diminuer l'effort de poussée tout en conservant un bon nettoyage.

Aspirateurs à quatre réglages :

- **Réglage le plus bas (1)** : pour les planchers à surface dure, et les tapis courts et de longueur égale, comme ceux que l'on retrouve dans une cuisine.

- **Réglage suivant (2)** : pour les autres types de tapis.

- **Réglage supérieur (3-4)** : pour les tapis très épais, où un effort moindre est désiré tout en maintenant une bonne performance.

Remarque : S'il est difficile de déplacer l'appareil pendant le nettoyage, utiliser un réglage supérieur à celui utilisé.

26

Nettoyage des tapis légers et flexibles

Rester sur une extrémité du tapis puis

diriger l'aspirateur vers l'extrémité opposée. Avant d'atteindre le rebord, pousser sur le manche. Ainsi, la buse (devant de l'aspirateur) se lèvera, et le tapis ne restera pas emprisonné. Continuer de lever le devant de l'aspirateur, de façon qu'il ne touche plus du tout au tapis une fois le rebord atteint. Ramener l'appareil vers soi, rabaisser le devant de l'aspirateur puis répéter l'opération, en s'assurant que l'appareil n'aspire que lorsqu'il se déplace vers l'avant.

Entretien

Débrancher l'aspirateur de la prise électrique avant de l'entretenir. Ne pas utiliser l'appareil si le sac en papier n'est pas en place.

Sac filtrant

Quand le remplacer ?

Vérifier le sac filtrant de temps à autre. Il est recommandé de changer le sac filtrant lorsque la poussière atteint la base du collier du sac. Si le sac n'est pas remplacé à ce moment, l'efficacité de l'aspirateur pourrait diminuer.

NOTE : Lorsque le tapis est neuf, vérifier et remplacer (au besoin) le sac fréquemment, étant donné l'accumulation plus rapide de peluches.

MISE EN GARDE : Des matières très fines, comme la poudre pour le visage, la fécule de maïs, les cendres ou la suie de foyer, peuvent sceller le sac en papier et causer son éclatement, même s'il n'est que partiellement rempli. Lorsque l'appareil est utilisé pour aspirer de tels produits, changer fréquemment le sac.

Où l'acheter ?

Les sacs filtrants sont offerts aux Centres de service en usine Hoover et aux ateliers de service garanti autorisé Hoover dépôt.

Quoi acheter ?

N'utiliser que des sacs filtrants jetables pourvus du système de filtration d'allergènes de **Type A de Hoover®** afin de maintenir l'efficacité de votre appareil. Les sacs filtrants jetables **Hoover® Type A** réguliers sont aussi compatibles avec votre aspirateur.

Afin d'assurer la performance optimale de votre aspirateur, il est essentiel de n'utiliser que des sacs filtrants HOOVER distribués par The Hoover Company. Les sacs filtrants HOOVER peuvent être identifiés par les marques de commerce

suivantes -



27

Remplacement du sac filtrant

Débrancher l'aspirateur de la prise de courant.

Pour changer le sac-filtre, ouvrez la fermeture à glissière du sac extérieur, prenez le collier du sac-filtre par les bords (A) et dégagez-le du tube.

Remarque : Ne pas nettoyer et réutiliser un vieux sac. Mettre le sac plein au rebut.

28

Tenir le nouveau sac-filtre comme indiqué. Mettre en face l'ouverture du sac-filtre avec celle du tube à poussière (B).

Enfoncer **fermement** le col (A) dans le tube.

Introduisez le sac-filtre et fermez la glissière du sac extérieur.

Remplacement de la courroie

La courroie dont est pourvu votre aspirateur entraîne la rotation de l'agitateur, d'où son importance au bon fonctionnement de l'appareil. Située sous la plaque inférieure, elle devrait être vérifiée régulièrement afin de s'assurer de sa bonne condition.

Quand la remplacer ?

Pour en vérifier l'état, retirez la plaque du dessous de l'appareil (voir page suivante, partie « Mode de remplacement ».) Remplacez-la si elle est détendue, coupée ou cassée.

Quoi acheter ?

À l'achat d'une nouvelle courroie, demander **la pièce n° 38528040**.

29

Comment remplacer la courroie ?

Couper l'alimentation électrique de l'aspirateur.

Placer le manche à la position basse, puis retourner l'appareil.

Pour retirer la plaque inférieure, enlever le vis (A), insérer l'extrémité d'un tournevis plat dans la zone large de la

rainure de droite (B) et pousser le manche du tournevis vers l'arrière. Répéter l'opération pour la rainure de gauche (B).

Soulever l'extension de la plaque inférieure (C) en la faisant pivoter, puis retirer l'extension.

30

Retirer l'agitateur et la vieille courroie.

(Si la courroie n'est pas sectionnée, mais étirée ou coupée, passer aux Figs. 33 to 35 pour dégager la poulie du moteur. Continuer ensuite à la Fig. 31.)

31

Insérer la nouvelle courroie dans l'agitateur (**le lettrage doit faire face vers l'extérieur de l'appareil**) et placer la courroie dans son guide (C). Pousser l'extrémité de la courroie dans l'ouverture de la base de l'appareil. Replacer l'agitateur en s'assurant d'aligner les côtés plats de la saillie (D) à l'extrémité de l'agitateur avec les côtés plats de la rainure (E) à la base de l'appareil.

32

Placer les trois languettes de la plaque inférieure dans les rainures à l'avant de la base de l'aspirateur. Mettre la plaque en place, sur l'agitateur. Replacer le vis. Bien serrer le vis.

33

Retirer le couvercle de l'appareil en insérant l'extrémité plate d'un tournevis dans une des quatre rainures à côté d'une flèche au bas de l'appareil. Insérer l'extrémité d'un tournevis plat dans une des quatre rainures se trouvant à côté d'une flèche, au bas de l'appareil.

Plier vers l'extérieur pour dégager le verrou. Répéter l'opération pour les verrous aux trois flèches restantes.

34

Retourner l'appareil et enlever le couvercle.

35

Étirer la courroie et la faire passer dans la poulie du moteur (F).

Un effort supplémentaire peut être requis pour cette opération.

Retourner l'agitateur, en s'assurant que la courroie n'est pas prise entre l'agitateur et la base de l'appareil. La courroie doit tourner librement à l'intérieur de son guide. Si l'agitateur ne

tourne pas librement, retirer la plaque inférieure et replacer la courroie à l'intérieur de son guide.

36

Placer le couvercle sur l'appareil et appuyer pour fixer les quatre verrous. Tirer légèrement sur le couvercle pour s'assurer qu'il est bien fixé en place.

Remplacement du rouleau-brosse de l'agitateur

Quand le remplacer ?

Débrancher l'appareil de la prise de courant.

Le rouleau-brosse doit être remplacé lorsque les brosses sont usées.

37

Pour vérifier la condition des brosses, placer l'extrémité d'une pièce de carton en travers de la plaque inférieure tout en faisant tourner le rouleau-brosse. Afin de maintenir l'efficacité de l'appareil, remplacer le rouleau-brosse si les brosses ne touchent pas le carton.

Quoi acheter ?

L'agitateur peut être remplacé par la pièce n° 48414-155.

Comment le remplacer ?

Débrancher l'appareil de la prise de courant.

Pour enlever le couvercle, suivez les directives aux Fig. 33 & 34 de la section « **Comment remplacer la courroie ?** ».

38

Tirer sur la courroie pour la décrocher de la poulie, tel qu'illustré ci-dessus.

Retirer la plaque inférieure, tel qu'illustré aux Fig. 29 de la section « **Comment remplacer la courroie ?** ».

Déposez l'agitateur de l'aspirateur et jetez-le.

Replacer la nouvelle courroie et le nouvel agitateur. Consulter les figures 31 à 35.

Dépannage

Cet aspirateur a été soigneusement inspecté et était en bonne condition à sa sortie de l'usine. Si un problème d'ordre mineur survient, il peut habituellement être résolu très facilement. Il suffit de consulter la liste ci-dessous pour en trouver la cause.

Problème : L'aspirateur refuse de fonctionner

Cause possible

Solution possible

- **L'appareil est mal branché**
- *Bien enfoncer la fiche dans la prise d'alimentation*
- **La prise d'alimentation ne fournit aucune tension**
- *Vérifier le fusible ou le disjoncteur*
- **Fusible grillé/disjoncteur déclenché**
- *Remplacer le fusible/réenclencher le disjoncteur*

Problème : L'appareil refuse d'aspirer

Cause possible

Solution possible

- **Courroie cassée ou usée**
- *Remplacer la courroie*
- **Les brosses de l'agitateur sont usées**
- *Remplacer l'agitateur*
- **Sac filtrant plein**
- *Changer le sac filtrant*

Lubrification

Le moteur est pourvu de deux paliers suffisamment lubrifiés pour toute la durée de vie du moteur. Toute lubrification supplémentaire pourrait causer des dommages. **Éviter de lubrifier les paliers du moteur.**

L'agitateur est pourvu de deux roulements à bille qui doivent être lubrifiés périodiquement par un Centre de service des usines Hoover ou un atelier de service garanti autorisé Hoover dépôt.

Service autorisé

Pour obtenir le service autorisé HOOVER ou des pièces d'origine HOOVER, il vous faut l'adresse du **Centre de service en usine hoover ou de l'atelier de service garanti autorisé Hoover (dépôt)** le plus près de chez vous. Pour ce faire, vous pouvez :

- Consulter les Pages Jaunes sous la rubrique " Aspirateurs domestiques - Vente & Service "
OU
- Visitez-nous sur Internet à www.hoover.com pour connaître l'adresse du Centre le plus près de chez vous.
OU
- Appelez 1-800-944-9200 pour obtenir des renseignements par service automatisé sur le centre de ventes et de réparation le plus proche. (É-U. seulement)

Prière de ne **pas** envoyer votre appareil à l'adresse de Glenwillow pour qu'il soit réparé. Il n'en résulterait que des délais supplémentaires.

Si d'autres renseignements sont requis, appelez 1-800-263-6376 pour parler à un représentant Hoover du service à la clientèle, lundi-vendredi, 8 h - 19 h HNE.

Au **Canada**, s'adresser à Hoover Canada, Carson Building, 100 Carson Street, Etobicoke, Ontario M8W 3R9, Phone: 1-800-263-6376 Mon-Fri 8AM-7PM h HNE.

Au moment de demander des renseignements ou de commander des pièces, toujours identifier l'appareil par son numéro de modèle **complet**. (Le numéro se trouve au bas de l'aspirateur.)

Réparation des appareils à double isolation

Cet aspirateur comporte une double isolation. Dans un appareil à double isolation, deux systèmes d'isolation sont fournis au lieu d'une mise à la terre. Aucun moyen de mise à la terre n'est fourni sur un appareil à double isolation, et aucune mise à la terre ne doit être ajoutée. Les réparations d'un appareil à double isolation nécessitent un grand soin et une excellente connaissance du système, et ne doivent être effectuées que par du personnel de réparation qualifié. Les pièces de rechange doivent être identiques aux pièces remplacées. Un appareil à double isolation est marqué des mots "DOUBLE-ISOLATION" ou "DOUBLEMENT-ISOLÉ".

Le symbole  peut également être marqué sur l'appareil.

HOOVER y  son marcas registradas

HOOVER et  sont des marques déposées

HOOVER and  are registered trademarks