

# PARAMOUNT

LARGE AREA CLEANING SYSTEM



THE GOLD STANDARD OF  
PROFESSIONAL CLEANING

A Tacony Company  
800.533.2557  
[www.CFRcorp.com](http://www.CFRcorp.com)

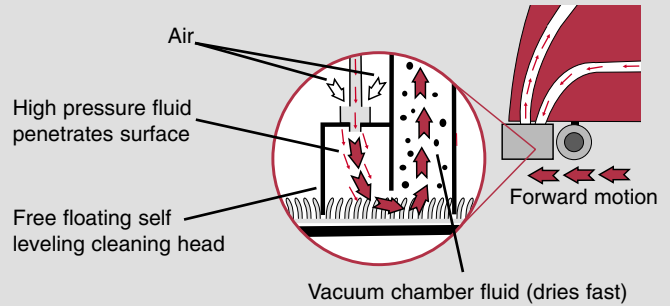
# PARAMOUNT

# HIGHER PRODUCTIVITY

The innovative technology of CFR's new Paramount carpet cleaning system defines the new standard of performance in floor care. Traditional extractors are simply ordinary in comparison.

In this era of ever tightening budgets, custodial supervisors and managers are being asked to "do more with less" – maintain larger floor areas with diminishing staffs and materials. Paramount cuts labor costs, freeing up employees for other work and simply completing the task quicker. It also saves on chemical expense with the patented continuous flow technology. Paramount is less expensive to operate, cutting operation costs and doing more with less.

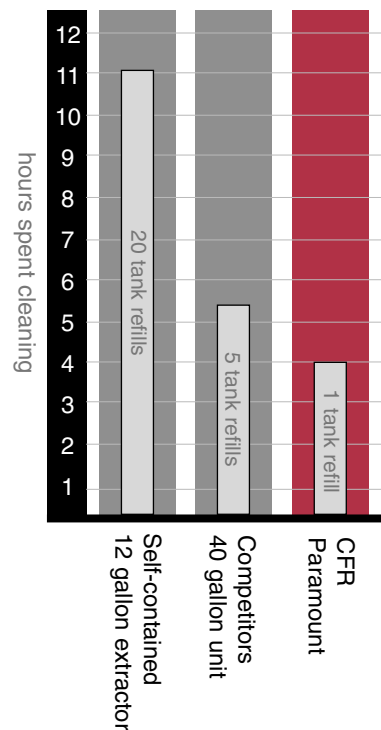
## INNOVATIVE TECHNOLOGY



Solution application atomizes solution to power-wash each individual fiber. Instantaneous solution recovery integrates application and retrieval into a single, uninterrupted process. Continuous flow recycling virtually eliminates dumping and refilling in the middle of a job.



## CLEANING TIME FOR 30,000 SQUARE FEET



# Y FASTER DRY TIMES SUPERIOR CLEANING

Designed for large areas, Paramount is the ultimate carpet cleaning system. Paramount tops the industry in actual productivity, performance and cost efficiency. Paramount cleans 27% faster than other large area extractors. The large solution tank and patented CFR continuous flow technology combine to provide the longest uninterrupted cleaning cycle available in a portable unit.

Paramount's exclusive cleaning process lets you determine the level of cleaning necessary for each job. Simply set the p.s.i. and cleaning speed for maintenance cleaning to maintain the appearance and cleanliness of the carpeting or drop the speed and increase the p.s.i. for the deepest cleaning of heavily soiled carpets or high traffic areas. Paramount is extremely maneuverable, providing excellent cornering, and a remarkably small turn radius. It easily maneuvers through doorways, fits in standard elevators for transport, and provides excellent edge cleaning.

After using the Paramount just one time, you will immediately see the benefits of superior cleaning performance, increased productivity, and faster dry times.



**FASTER** The Paramount defines a new standard of productivity. The Paramount can clean 30,000 square feet in under 4 hours. With an ordinary large area extractor it takes five and a half hours or more. Don't be fooled by square foot/hr work rating figures! We include the time lost for dumping and refilling cycles, the others don't. With Paramount you only have to stop to empty and refill the solution tank one time, compared to five or more times with an ordinary large area extractor.

**CLEANER** Paramount set a new standard for cleaning ability with patented cleaning technology. Paramount uses high pressure solution to blast soil from carpet fibers, sending more solution through the carpet fibers for a more powerful clean. The high pressure works as an agitator cleaning the fibers better than a brush without damaging the carpet!

**DRIER** CFR has the fastest dry times in the industry. It is very simple – more solution is recovered and CFR's patented solution control system prevents the carpet backing and pad from getting wet. As a result, carpets dry much faster!

Easy to use fingertip controls for p.s.i., direction, speed, pump and motors.

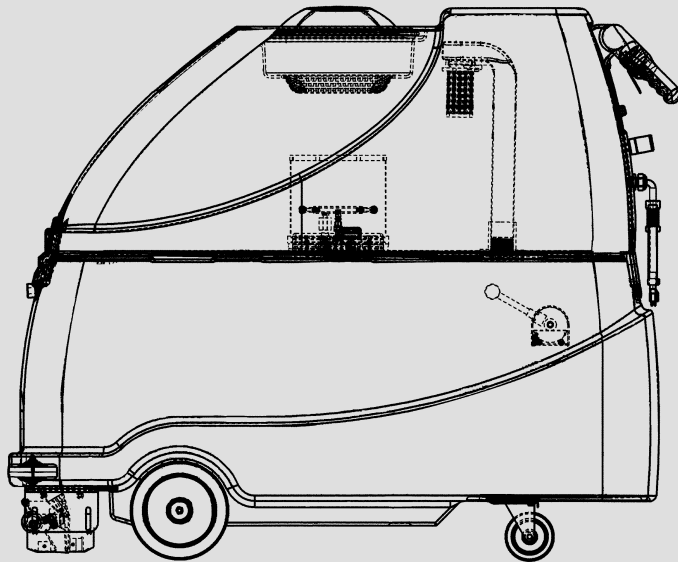


Extremely maneuverable, excellent cornering, and a remarkably small turn radius.

Clam shell design for easy access to components for maintenance.



# TECHNICAL SPECIFICATIONS



The Paramount automatic extractor has a 40 gallon recycling tank. Combine that with the CFR recycling chemical technology and the Paramount produces a cleaning solution volume capacity up to 240 gallons.

	400 SP	400 SP B
Tank Capacity	40 gal	40 gal
Max p.s.i.	400	400
Adjustable p.s.i.	✓	✓
Vacuum Motors	3 stage	2-3 stage
Operating Amps	15.75	55 bat/15.7
Water Lift	120"	110"
CFM	101	101
Tool Attachments	✓	✓
Cleaning Path	23"	23"
Drain Hose	✓	✓
Batteries	na	2-12 volt
Power Cord	pigtail/75'	pigtail
Restoration Rating	7,500	7,500
Maintenance Rating	14,100	14,100
Self-Propelled	✓	✓
Transport Speed	180 ft./min	180 ft./min
Width	26"	26"
Height	45"	45"
Length	54"	54"
Weight	250	478
Warranty	3 yrs	3 yrs

## Restoration Mode

Restorative cleaning allows for the deepest cleaning of heavily soiled carpets or high traffic areas. In restorative mode, the Paramount self-propelled units clean 7,050 square feet per hour. Using restorative mode is as easy as setting the p.s.i. to 400 and the speed to 5 or lower – no additional switches or parts to contend with.

## Maintenance Mode

Maintenance mode is ideal for regular cleaning to maintain the appearance and cleanliness of the carpeting. In maintenance mode, the Paramount self-propelled unit cleans 14,000 square feet per hour. It is easy to "set" maintenance mode. Simply turn the speed dial to 7 and the p.s.i. to 200. Maintenance mode cleaning uses the full force of the patented CFR air induction cleaning that atomizes high velocity solution to "scrub" each individual fiber and simultaneously recover the solution to prevent overwetting and provide the fastest dry times in the industry.

## Tool Attachments

Paramount is designed to use with patented CFR air induction tools. CFR offers a wide variety of wands, hoses, and upholstery tools designed for maximum airflow and shorter dry times.

## Cleaning Head

The Paramount's cleaning head is designed on the patented CFR air induction technology designed for maximum airflow and shorter dry times providing superior cleaning without brush agitation. Solution application atomizes solution to power-wash each individual fiber. Instantaneous solution recovery integrates application and retrieval into a single, uninterrupted process. The 23" head is completely removable to easy cleaning.

## Warranty

The CFR warranty covers the Paramount to be free from defects in materials and workmanship under normal use and service for a period of 36 months for rotationally molded polyethylene housings. For all other components, with the exception of wear items, the warranty is valid for a period of 12 months.

## Preventative Maintenance Program

CFR's preventative maintenance program is designed to maintain the Paramount on a quarterly basis. The program focuses on: inspecting the equipment, replacing covered parts as required, and identifying potential situations where a more in-depth service may be required.