

INSTRUCTIONS FOR USE AND CARE OF CATERAIDE™ XB BEVERAGE SERVERS

PROPER USE OF YOUR CATERAIDE

1. Wash unit with hot water and a mild detergent, then rinse thoroughly prior to use.
2. Pre-heating interior with hot water will improve heat retention. Fill unit with boiling water and close. After 5 minutes, drain unit completely through spigot and fill.
3. Pre-chilling unit with ice water in the same manner will improve cold retention.
4. Load container to its maximum capacity with preheated or prechilled beverage. Make sure gasket is in place. Replace lid and lock into position by rotating a quarter turn clockwise until it stops.
5. If you intend to use the security feature, you must make certain the tag slot on the lid aligns with the tag slot on body (Refer to picture to the right).



DISASSEMBLY

Drain unit completely before dismantling.

FAUCET AND SPIGOT

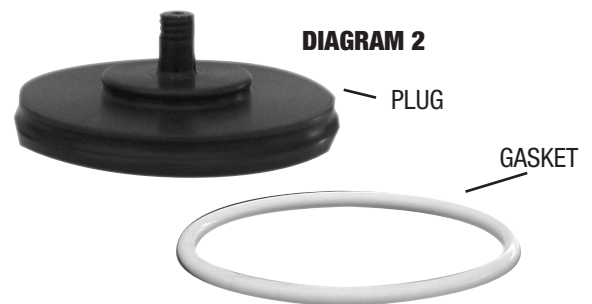
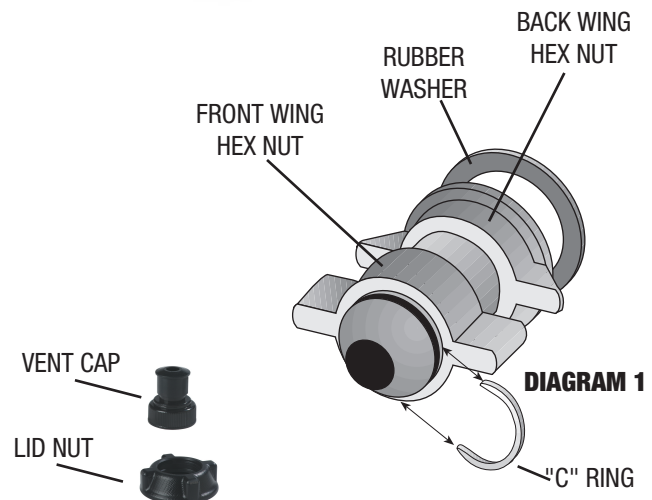
1. With spigot facing you, remove spigot by holding it in place while turning front wing nut clockwise.
3. Remove exposed "C" ring by carefully pushing it out diagonally from retaining groove. You can now remove the wing nut by sliding it toward you off of the shank.
4. Next, remove the back wing hex nut from the shank by turning counter clockwise. Also, remove the rubber washer from behind hex nut (Diagram 1).
5. Push shank backwards towards inside of unit to remove. Remove rubber washer from large end of shank.

LID

1. Remove vent cap by unscrewing. Pull out washer from underside of vent cap (Diagram 2).
2. Unscrew lid nut. Separate lid from plug assembly.
3. Remove gasket.

CLEANING THE CONTAINER

1. Clean after every use with hot water and a mild detergent. De-staining compounds approved for food or beverage contact may be used. Ask your detergent supplier for the proper compound.
2. The body, lid, and plug are all dishwasher safe. When running through a dishwasher, always make sure the gasket is removed from the plug. Gaskets are NOT dishwasher safe.
3. Clean plug vent thoroughly with Carlisle Brush #40157.



P.O. Box 53006
Oklahoma City, Oklahoma 73152-3006
(405) 475-5600 • FAX (405) 475-5607
1-800-654-8210
#104803360

European Distribution Center:
Edisonstraat 84, P.O. Box 110
6900 AC Zevenaar, The Netherlands
Tel +31/(0)316-596550 • Telex 45642
FAX +31/(0)316-340168

CARLISLE
FoodService Products

INSTRUCTIONS FOR USE AND CARE OF CATERAIDE™ XB BEVERAGE SERVERS

CLEANING THE FAUCET, SHANK, AND SMALL PARTS

Clean faucet, shank, and all small parts from the lid periodically with Carlisle faucet brush #40166.

1. Remove entire upper assembly by unscrewing and pulling the bonnet off of the spigot.
2. Pull seat cup off of spigot. This is a good time to replace the seat cup if necessary. Clean all small parts including the gasket and the vent cap assembly from the lid in a solution of hot water and urn cleaner (refer to Step 1 of "Cleaning the Container").
3. Rinse all parts thoroughly with hot running water.
4. Depress handle in 'lock open' position. Clean top of bonnet thoroughly. Snap seat cup on to stem end by applying direct pressure against the bottom of the seat cup.
5. Screw bonnet back on to spigot.

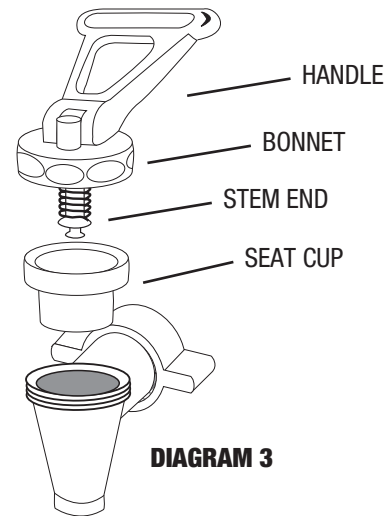
ASSEMBLY

FAUCET AND SHANK

1. Replace rubber washer on shank.
2. Insert shank through faucet opening from the inside of the unit.
3. Screw on back wing hex nut (nut must be placed with the back ring facing unit as shown in diagram 1). Tighten to secure shank to unit.
4. Place front wing nut over shank with threads facing out. Replace metal 'C' ring on to retaining groove.
5. Attach faucet assembly by carefully placing over exposed end of shank with spigot facing straight down (see diagram 4).
6. Secure in position by turning front wing nut counter clockwise over threads on faucet. Tighten.

LID

1. Roll gasket back into groove on plug.
2. Reinsert plug vent through lid (see diagram 4).
3. Secure plug to lid by screwing lid nut over plug vent and tightening (see diagram 4).
4. Replace washer on underside of vent cap. Screw vent cap on to exposed end of plug vent.



CARLISLE
FoodService Products

P.O. Box 53006
Oklahoma City, Oklahoma 73152-3006
(405) 475-5600 • FAX (405) 475-5607
1-800-654-8210
#104803360

European Distribution Center:
Edisonstraat 84, P.O. Box 110
6900 AC Zevenaar, The Netherlands
Tel +31/(0)316-596550 • Telex 45642
FAX +31/(0)316-340168