

Minuteman[®]

Lead Vacuum

Patented H.E.P.A. filtered vacuum for the recovery of lead, dust, paint chips and other hazardous materials.

- Conventional vacuum cleaners exhaust unseen lead particles back into the environment, compounding the existing hazard.
- Minuteman's lead vacuum has been specifically designed for safe and efficient daily use in commercial and industrial sites.
- With a H.E.P.A. vacuum, particulates are contained within a special filter, allowing NO hazardous dust to escape back into the air.
- As an added precaution, a patented interlocking safety system prevents the vacuum from being operated without the H.E.P.A. filter.
- H.U.D. guidelines recommend using a H.E.P.A. vacuum for cleaning painted surfaces and after wet cleaning (Lead-based Paint: "Interim Guidelines for Hazard Identification and Abatement in Public & Indian Housing", Federal Register, Vol. 55).



Minuteman Lead Vacuum - For Safe Recovery of Lead Dust & Paint

FEATURES

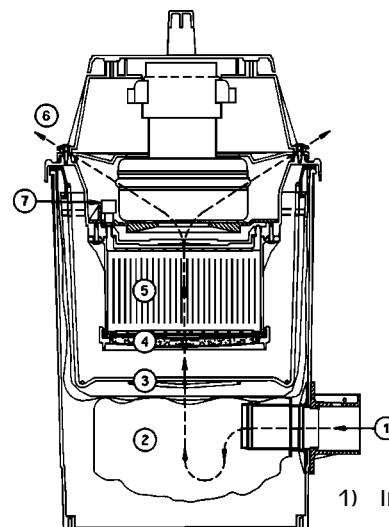
- Non-woven, embossed, polyester filter bag provides 50% more filtration area than standard bags. Filter is 99.9% efficient at 3.0 microns.
- Equipped with H.E.P.A. (High Efficiency Particulate Air) Filter which is 99.99% efficient at 0.12 microns.
- State-of-the-Art polypropylene lid assembly is acoustically designed to minimize noise . . . 74 dba.
- Polyethylene tanks are durably constructed, noncorrosive and dent-proof for years of reliable service.
- The "sure-grip/quick-release" mechanism makes it easy to connect and remove hoses.
- Convenient 50 foot cord.
- All models are available in 115 volt and 240 volt models.
- Optional electric powerhead available.

Each unit comes standard with a dry tool kit, which includes:

- 1-1/4" x 8 ft. Crush Proof Hose (3 cm x 1.8 m)
- 1-1/4" Wand (3 cm) - *not pictured*
- 12" Crevice Tool (30 cm)
- 5" Upholstery Tool (13 cm)
- 11" Combination Floor/Carpet Tool (28 cm)



DRY ONLY LEAD VACUUM OPERATION



- 1) Intake
- 2) Collect Bag
- 3) Cloth Filter
- 4) Impact Filter
- 5) H.E.P.A. Filter
- 6) Exhaust
- 7) Safety Interlock

SPECIFICATIONS

	C82985-06	C82986-06
VOLTAGE:	115 volt	240 volt
TANK SIZE:	6 gal (22 ltr)	6 gal (22 ltr)
POWER:	1.25 hp	1.25 hp
AIR FLOW:	95 CFM	95 CFM
WATER LIFT:	85" (2159 mm)	85" (2159 mm)
DRY CAPACITY:	.46 cu ft (.01m ³)	.46 cu ft (.01m ³)
CORD:	16-3, 50' (15 mm)	16-3, 50' (15 mm)
CASTERS:	1-5/8" (1.13 cm)	1-5/8" (1.13 cm)
WEIGHT:	17 lbs (8 kg)	17 lbs (8 kg)

Minuteman[®]



World Headquarters
Minuteman International, Inc.
111 South Rohlwing Road
Addison, IL 60101-4244
Telephone: (630) 627-690
Fax: (630) 627-1130
www.minutemanintl.com

Minuteman Canada, Inc.
2210 Drew Road
Mississauga, Ontario L5S 1B1
Telephone: (905) 673-3222
Fax: (905) 673-5161