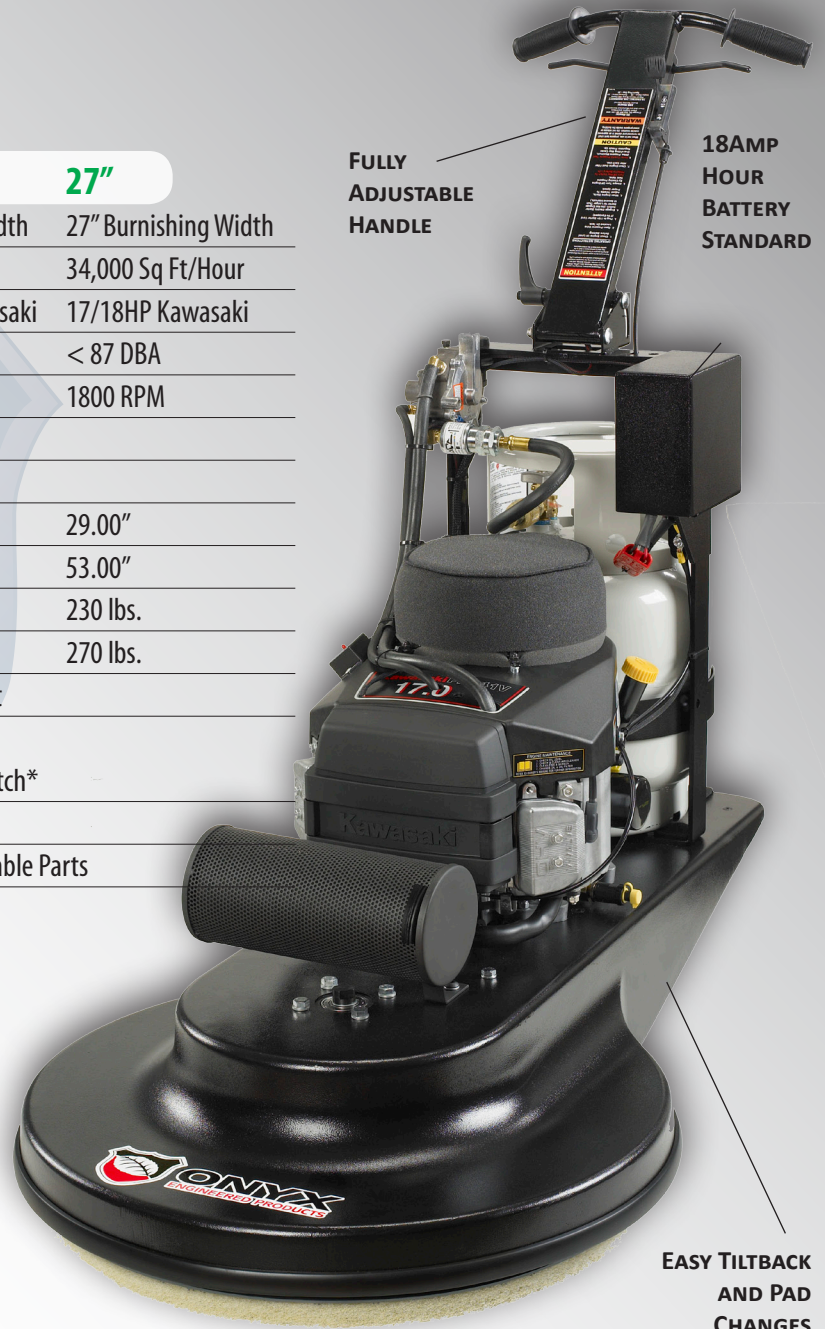


**Features:**

- Safe-EPA/CARB/CE Certified and approved
- Easy tilt back pad change design
- Adjustable wheels and handle
- Battery key start and 110 volt electric start
- Quick drop in cylinder holder
- Emission shut off feature\*
- Catalytic Muffler\*
- Electric Clutch\*
- Emissions Eliminator System\*

*Onyx Black Diamond UHS Burnishers produce a superior wet look shine, fast and easy, on all hard floor surface types. They increase productivity, lower maintenance and labor costs, and create a safe, slip resistant floor surface.*

SPECIFICATIONS	21"	24"	27"
<b>Burnishing Width</b>	21" Burnishing Width	24" Burnishing Width	27" Burnishing Width
<b>Performance</b>	25,000 Sq Ft/Hour	28,000 Sq Ft/Hour	34,000 Sq Ft/Hour
<b>Engine</b>	13/17/18HP Kawasaki	13/17/18HP Kawasaki	17/18HP Kawasaki
<b>Sound Level</b>	< 87 DBA	< 87 DBA	< 87 DBA
<b>Brush Speed</b>	2000 RPM	1800 RPM	1800 RPM
<b>Pad Drive</b>	Harpoon Hook Grip Face		
<b>Frame</b>	Powder Coated Cast Aluminum Alloy		
<b>Width</b>	22.75"	26.25"	29.00"
<b>Length</b>	48.00"	51.00"	53.00"
<b>Weight</b>	195 lbs.	220 lbs.	230 lbs.
<b>Shipping Weight</b>	235 lbs.	260 lbs.	270 lbs.
<b>Ignition System</b>	12 Volt Battery Starter, 110 Volt Electric start		
<b>Options</b>	Emission Shutdown   Catalytic Muffler * Emissions Eliminator System*   Electric Clutch*		
<b>Certifications</b>	EPA, CARB, CE, UL Listed Components		
<b>Warranty</b>	2 Year Engine, 1 Year Machine, 90 Days Wearable Parts		



Contact Onyx today for more information!