

TECHNICAL DATA SHEET

Venue™ Napkin Dispensers

For Minifold Napkins



Product Code: H5000TBK, H5000CL Countertop Control Face Venue™ Napkin Dispenser

Venue™ enhances the image of any location, with its high-end appearance and smooth precise dispensing. The unique curved design presents the napkin to the customer, providing the ideal combination of one-at-a-time dispensing and ease of use.

REDUCE OPERATING COST

One at a time dispensing
Eliminate napkin waste
Universal – Choose any napkin supplier!

HYGIENE

Limit access
NSF approved

IMAGE

Coordinating dispenser family
Updated design

LABOR SAVINGS

High capacity
Easy refill recognition
Easy cleaning

Type: Countertop

Closure: With latch

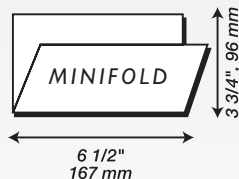
Material: Break-resistant plastics

Overall Dimensions:
15.62"(H) x 7.93"(W) x 6.12"(H)

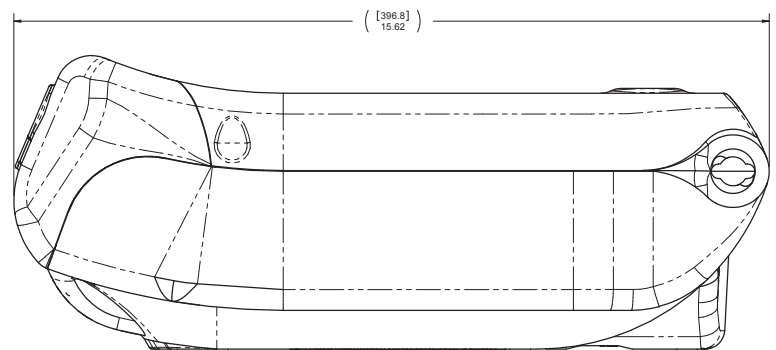
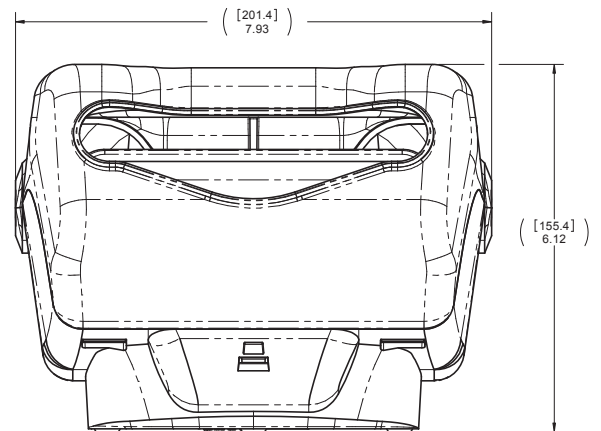
Capacity:
550+ minifold napkins

Napkin:
Minifold

Item Shipping Weight:
2.75 lbs



Also Available:
Countertop on stand (H5000STBK, H5000SCL)
Wall Mount (H5000PTBK, H5000PCL)



TECHNICAL DATA SHEET

Venue™ Napkin Dispensers

For Minifold Napkins



Product Code: H5000TBK, H5000CL Countertop Control Face Venue™ Napkin Dispenser

Venue™ enhances the image of any location, with its high-end appearance and smooth precise dispensing. The unique curved design presents the napkin to the customer, providing the ideal combination of one-at-a-time dispensing and ease of use.

REDUCE OPERATING COST

One at a time dispensing
Eliminate napkin waste
Universal – Choose any napkin supplier!

HYGIENE

Limit access
NSF approved

IMAGE

Coordinating dispenser family
Updated design

LABOR SAVINGS

High capacity
Easy refill recognition
Easy cleaning

Type: Countertop

Closure: With latch

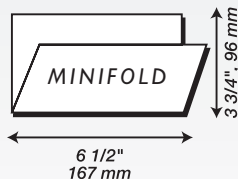
Material: Break-resistant plastics

Overall Dimensions:
396.8mm(H) x 201.4mm(W) x 155.4mm(H)

Capacity:
550+ minifold napkins

Napkin:
Minifold

Item Shipping Weight:
2.75 lbs



Also Available:
Countertop on stand (H5000STBK, H5000SCL)
Wall Mount (H5000PTBK, H5000PCL)

