

TECHNICAL DATA SHEET

Reserva® Jumbo-Roll Dispenser

Product Code: R3090TBK, R3090TBL, R3090WS



- Universal and dispenses any brand or quality of jumbo bath tissue.
- Increased capacity, equivalent to a single 12" (305mm) or twin 9" (230mm) dispenser.
- Infinity® System eliminates stub roll waste.

Installation: Wall mounted

Closure: With lock

Colour: Black Pearl, Arctic Blue, White Sand

Dimensions:

12¹/₄"h x 16³/₄"w x 5¹/₂"d
311h x 425w x 140d mm

Capacity:

(1) 9"-10¹/₂" (230-270mm) JBT roll
(1) 5" (127mm) stub roll

Core Diameter:

Min. 3¹/₄" (83mm)

Custom orders available for 2¹/₄" (57mm) core diameter & adapter available to convert to 3" (76mm) core.

Net Weight: 1.4kg

Gross Weight: 1.7kg

Materials: Break-resistant plastic

Standard Product Code: R3090

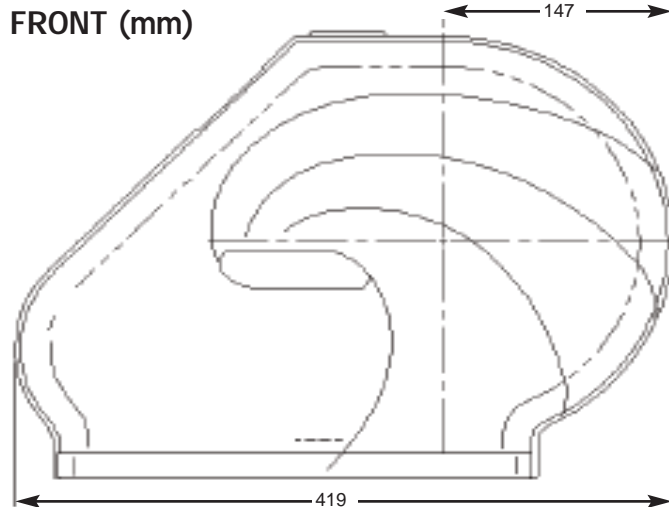
SAN JAMAR

Smart ♦ Safe ♦ Sanitary

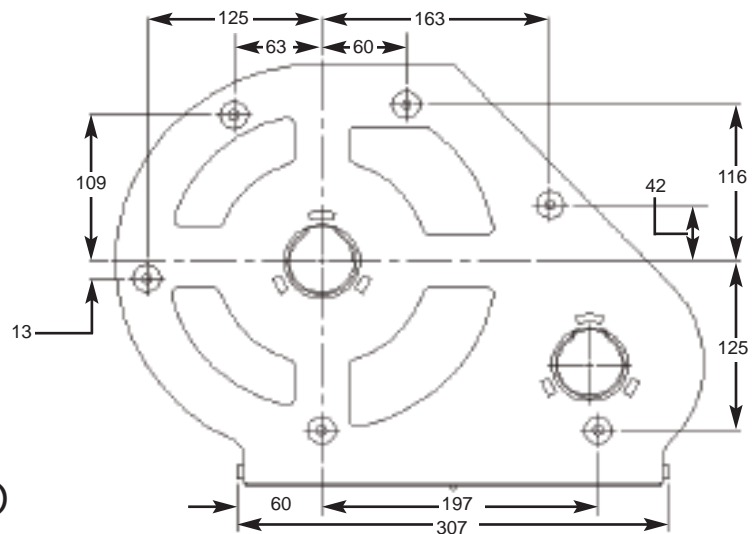
555 Koopman Lane
Elkhorn, Wisconsin 53121 USA
T: (262) 723-6133 F: (262) 723-4204
Customer Care: (800) 248-9826
Email: sanjamar@sanjamar.com
www.sanjamar.com

Schoorstraat 26A, Bus 1
B-2220 Heist-Op-Den-Berg
BELGIUM
T: +32(0)1522 8140 F: +32(0)1522 8148
www.sanjamar.com

FRONT (mm)



Back (mm)



SIDE (mm)

