

TECHNICAL DATA SHEET

Tear-N-Dry

Product Code: T1300

Molded of styrene and high impact polystyrene resin. One piece door construction. One piece back construction. Door is mounted to back with pivot posts and secured with replaceable locking fingers. Capacity 8" diameter, 8" wide hard wound roll towel.

Installation: Wall mounted

Closure: With lock

Color: Black Pearl, Arctic Blue

Dimensions:

16.5" (L) x 11.75" (W) x 9.25" (D)

Capacity:

(1) 8" wide roll; 8" diameter and 4" stub roll

Core Diameter: 1.5"

Case Weight: 6.0 lbs

Materials:

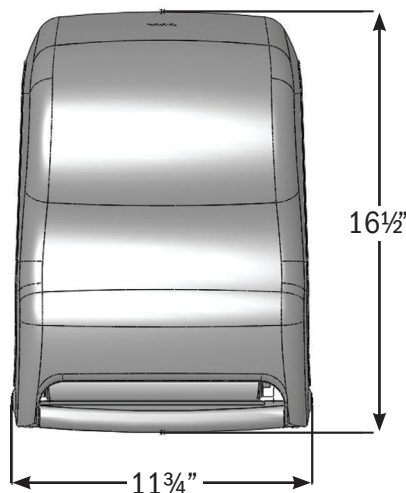
Base : break resistant plastic
Cover: break resistant plastic

Standard Product Codes:

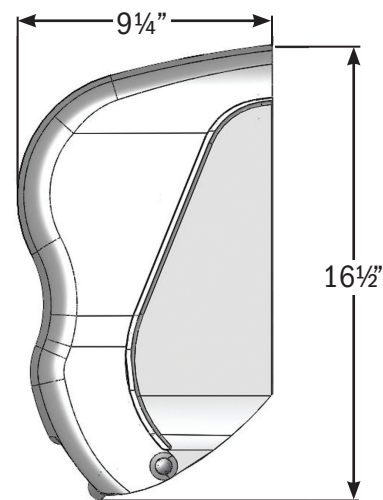
T1300TBK, T1300TBL, T1300WHCL



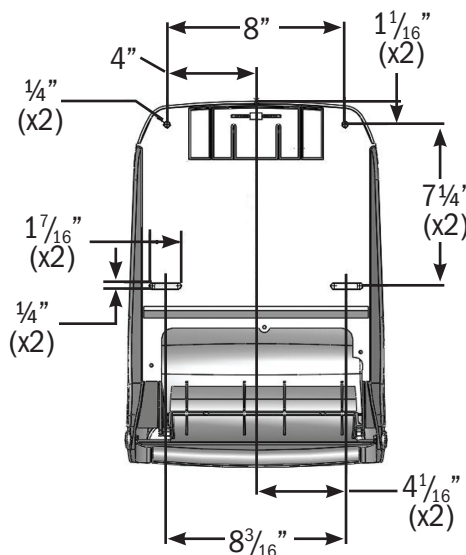
FRONT (inches)



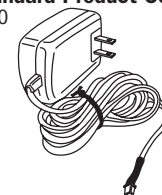
SIDE (inches)



BACK (inches)



Optional AC Adapter
Standard Product Code:
XT50



See next page for mm

SAN JAMAR
555 Koopman Lane
Elkhorn, Wisconsin 53121 USA
T: (262) 723-6133
F: (262) 723-4204
Customer Care: (800) 248-9826
E-Mail: Sanjamar@sanjamar.com
www.sanjamar.com

SAN JAMAR EUROPE, INC
Schoorstraat 26A, Bus 1
B-2220 Heist-Op-Den-Berg
BELGIUM
T: +32(0)1522 8140
F: +32(0)1522 8148
E-Mail: Sjeurope@sanjamar.com

SAN JAMAR Mexico, S de RL de CV
Prolongación Av. San Antonio
No. 135 col. San Pedro de los Pinos
Delagación Alvaro Obregón
C.P. 01180 en México, DF MEXICO
T: +52 (55) 3626 0772
F: +52 (55) 5273 4495
E-Mail: sjmexico@sanjamar.com

SAN JAMAR
Smart ♦ Safe ♦ Sanitary

TECHNICAL DATA SHEET

Tear-N-Dry

Product Code: T1300

Molded of styrene and high impact polystyrene resin. One piece door construction. One piece back construction. Door is mounted to back with pivot posts and secured with replaceable locking fingers. Capacity 8" diameter, 8" wide hard wound roll towel.

Installation: Wall mounted

Closure: With lock

Color: Black Pearl, Arctic Blue

Dimensions:

41.9 cm (L) x 29.8 cm (W) x 23.5 cm (D)

Capacity:

(1) 20.3cm wide roll; 8" diameter and 4" stub roll

Core Diameter: 3.8cm

Case Weight: 6.0 lbs

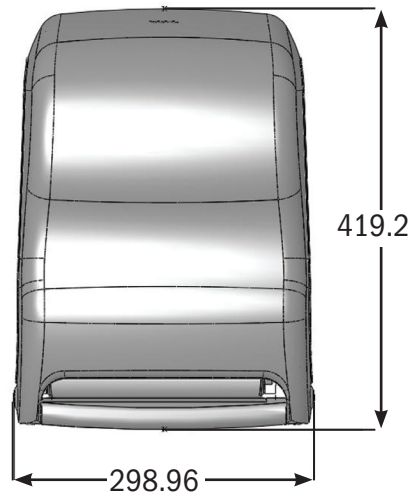
Materials:

Base : break resistant plastic
Cover: break resistant plastic

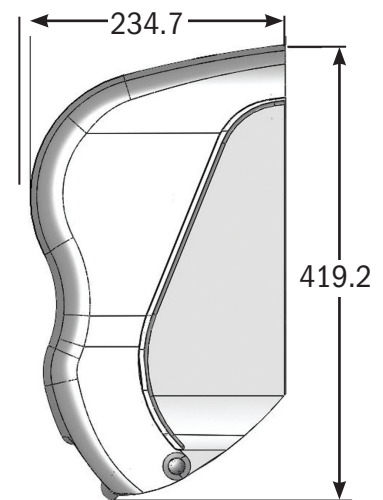
Standard Product Codes:

T1300TBK, T1300TBL, T1300WHCL

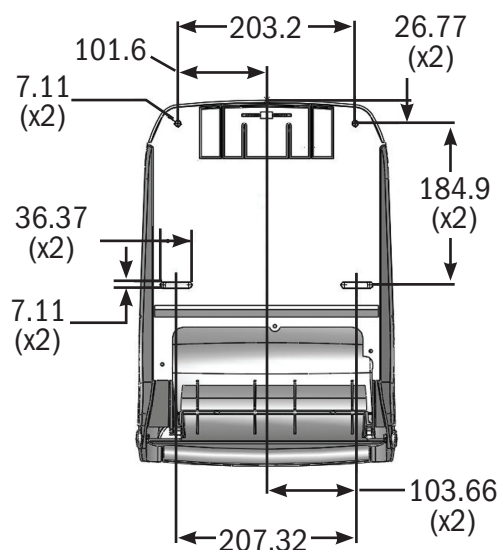
FRONT (mm)



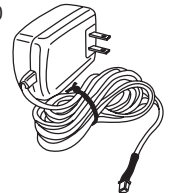
SIDE (mm)



BACK (mm)



Optional AC Adapter
Standard Product Code:
XT50



SAN JAMAR
555 Koopman Lane
Elkhorn, Wisconsin 53121 USA
T: (262) 723-6133
F: (262) 723-4204
Customer Care: (800) 248-9826
E-Mail: Sanjamar@sanjamar.com
www.sanjamar.com

SAN JAMAR EUROPE, INC
Schoorstraat 26A, Bus 1
B-2220 Heist-Op-Den-Berg
BELGIUM
T: +32(0)1522 8140
F: +32(0)1522 8148
E-Mail: Sjeurope@sanjamar.com

SAN JAMAR Mexico, S de RL de CV
Prolongación Av. San Antonio
No. 135 col. San Pedro de los Pinos
Delagación Alvaro Obregón
C.P. 01180 en México, DF MEXICO
T: +52 (55) 3626 0772
F: +52 (55) 5273 4495
E-Mail: sjmexico@sanjamar.com

SAN JAMAR

Smart ♦ Safe ♦ Sanitary