

# TECHNICAL DATA SHEET

Oceans®  
**SMART SYSTEM**  
 With **IQ** Sensor™

Electronic Touchless Roll Towel Dispenser



## Product Code: T1490

- Universal Paper Dispensing: Dispenses any paper quality, including low basis weight/high absorbent paper.
- Dispenses (1) 8" rolls with 4 D-Size Batteries
- Default Setting: IQ Sensor with self-adjusting sensing field
- Dual Mode: IQ Sensor Mode or Towel Out Mode
- Controlled Usage
  - Programmable paper length
  - Programmable paper delay settings
- Battery options (D-Cell; alkaline) or AC Adapter available
- Battery usage 80 rolls of 800' tissue on 4D Cell batteries in Sensing Mode. Battery life only goes up when towel out mode is activated.
- Downloadable data usage to PDA to monitor paper usage
- Infinity® System: automatic transfer system to eliminate stub roll waste

**Installation:** Wall mounted

**Closure:** With lock

**Color:** Transparent Black Pearl (TBK)  
 Transparent Arctic Blue (TBL)  
 Opaque White Sand (WS)

**Product Dimensions:**  
 16½" (L) x 11¾" (W) x 9¼" (D)

**Capacity:**  
 (1) 8" wide roll; 8.5" diameter and 4" stub roll

**Min Core Diameter:** 1.5"

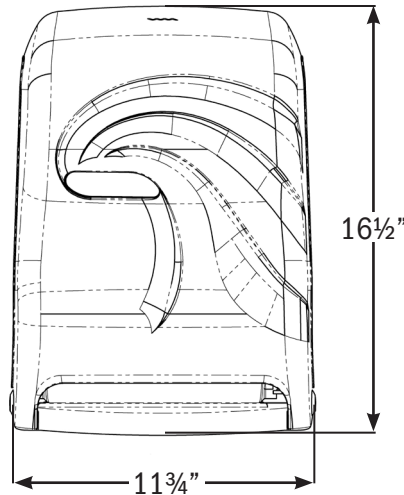
**Case Weight:** 8.0 lbs

**Materials:**  
 Base : break resistant plastic  
 Cover: break resistant plastic

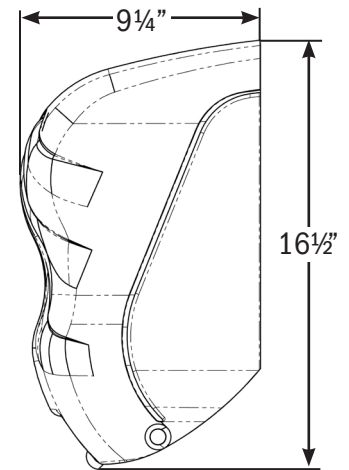
**Standard Product Codes:**  
 T1490TBK, T1490TBL, T1490WS

**Features Also Available:** (please call customer care)  
 2" Core Diameter Models  
 Replaceable Drive Module  
 Replaceable Covers  
 Replacement Keys and Lock Fingers

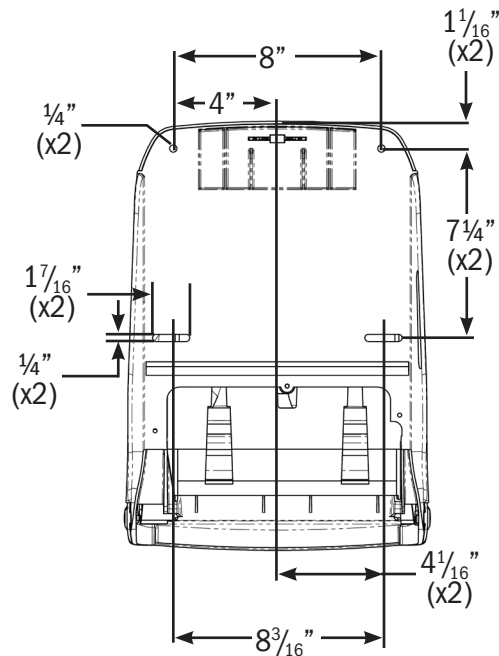
## FRONT (inches)



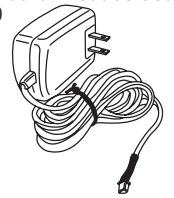
## SIDE (inches)



## BACK (inches)



**Optional AC Adapter**  
**Standard Product Code:**  
 XT50



See next page for mm

SAN JAMAR  
 555 Koopman Lane  
 Elkhorn, Wisconsin 53121 USA  
 T: (262) 723-6133  
 F: (262) 723-4204  
 Customer Care: (800) 248-9826  
 E-Mail: Sanjamar@sanjamar.com  
 www.sanjamar.com

SAN JAMAR EUROPE, INC  
 Schoorstraat 26A, Bus 1  
 B-2220 Heist-Op-Den-Berg  
 BELGIUM  
 T: +32(0)1522 8140  
 F: +32(0)1522 8148  
 E-Mail: Sjeurope@sanjamar.com

SAN JAMAR Mexico, S de RL de CV  
 Prolongación Av. San Antonio  
 No. 135 col. San Pedro de los Pinos  
 Delagación Alvaro Obregón  
 C.P. 01180 en México, DF MEXICO  
 T: +52 (55) 3626 0772  
 F: +52 (55) 5273 4495  
 E-Mail: sjmexico@sanjamar.com

**SAN JAMAR**  
 Smart ♦ Safe ♦ Sanitary

# TECHNICAL DATA SHEET

Oceans®  
**SMART SYSTEM**  
 With **iQ** Sensor™

Electronic Touchless Roll Towel Dispenser



## Product Code: T1490

- Universal Paper Dispensing: Dispenses any paper quality, including low basis weight/high absorbent paper.
- Dispenses (1) 20.3 cm rolls with 4 D-Size Batteries
- Default Setting: IQ Sensor with self-adjusting sensing field
- Dual Mode: IQ Sensor Mode or Towel Out Mode
- Controlled Usage
  - Programmable paper length
  - Programmable paper delay settings
- Battery options (D-Cell; alkaline) or AC Adapter available
- Battery usage 80 rolls of 800' tissue on 4D Cell batteries in Sensing Mode. Battery life only goes up when towel out mode is activated.
- Downloadable data usage to PDA to monitor paper usage
- Infinity® System: automatic transfer system to eliminate stub roll waste

**Installation:** Wall mounted

**Closure:** With lock

**Color:** Transparent Black Pearl (TBK)  
 Transparent Arctic Blue (TBL)  
 Opaque White Sand (WS)

**Product Dimensions:**  
 41.9 cm (L) x 29.9 cm (W) x 23.5 cm (D)

**Capacity:**  
 (1) 20.3cm wide roll; 21.6cm diameter and 10.2cm stub roll

**Min Core Diameter:** 3.8cm

**Case Weight:** 3.63 kgs

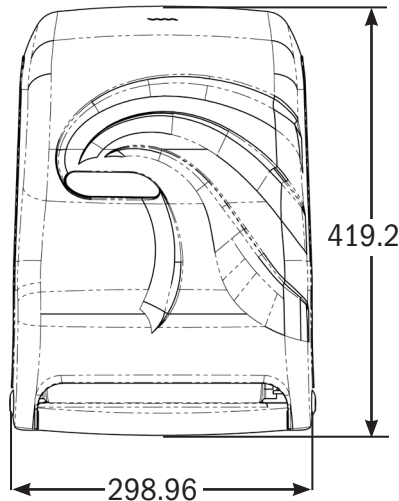
**Materials:**  
 Base : break resistant plastic  
 Cover: break resistant plastic

**Standard Product Codes:**  
 T1490TBK, T1490TBL, T1490WS

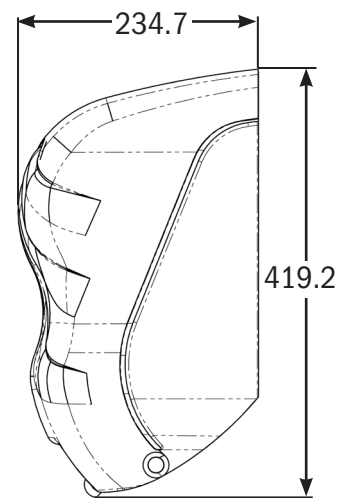
**Features Also Available:** (please call customer care)

- 2" Core Diameter Models
- Replaceable Drive Module
- Replaceable Covers
- Replacement Keys and Lock Fingers

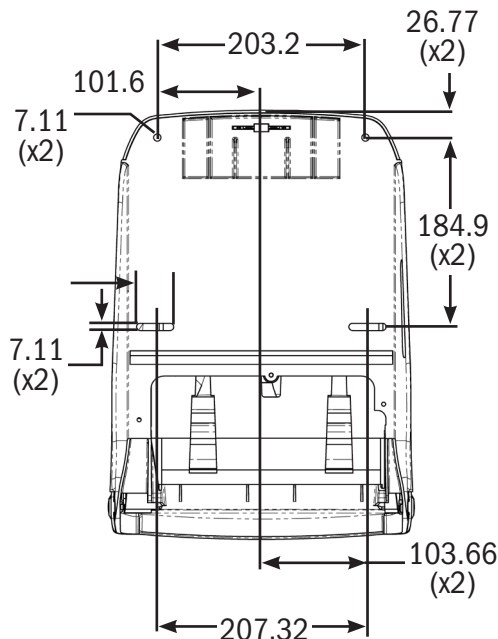
## FRONT (mm)



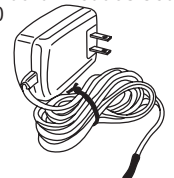
## SIDE (mm)



## BACK (mm)



**Optional AC Adapter**  
**Standard Product Code:**  
 XT50



SAN JAMAR  
 555 Koopman Lane  
 Elkhorn, Wisconsin 53121 USA  
 T: (262) 723-6133  
 F: (262) 723-4204  
 Customer Care: (800) 248-9826  
 E-Mail: Sanjamar@sanjamar.com  
 www.sanjamar.com

SAN JAMAR EUROPE, INC  
 Schoorstraat 26A, Bus 1  
 B-2220 Heist-Op-Den-Berg  
 BELGIUM  
 T: +32(0)1522 8140  
 F: +32(0)1522 8148  
 E-Mail: Sjeurope@sanjamar.com

SAN JAMAR Mexico, S de RL de CV  
 Prolongación Av. San Antonio  
 No. 135 col. San Pedro de los Pinos  
 Delagación Alvaro Obregón  
 C.P. 01180 en México, DF MEXICO  
 T: +52 (55) 3626 0772  
 F: +52 (55) 5273 4495  
 E-Mail: sjmexico@sanjamar.com

**SAN JAMAR**  
 Smart ♦ Safe ♦ Sanitary