

TECHNICAL DATA SHEET

Integra™ Lever Roll Towel

Product Code: T850TBL

- Fewer Internal Parts
- Minimizes needed space
- Holds all paper qualities with any size core

Installation: Wall mounted

Closure: With lock

Colour: Arctic Blue

Dimensions:

342h x 292w x 285d mm

Capacity:

All paper qualities with any size core from 215mm diameter, 209mm wide.

Net Weight: 1.8 kgs

Gross Weight: 2.3 kgs

Materials:

Base - break resistant plastic

Cover - break resistant plastic

Springs- stainless steel

Cutter blade- galvanized

Standard Product Code: T850TBL

SAN JAMAR
Smart ♦ Safe ♦ Sanitary

Schoorstraat 26A, Bus 1
B-2220 Heist-Op-Den-Berg
BELGIUM

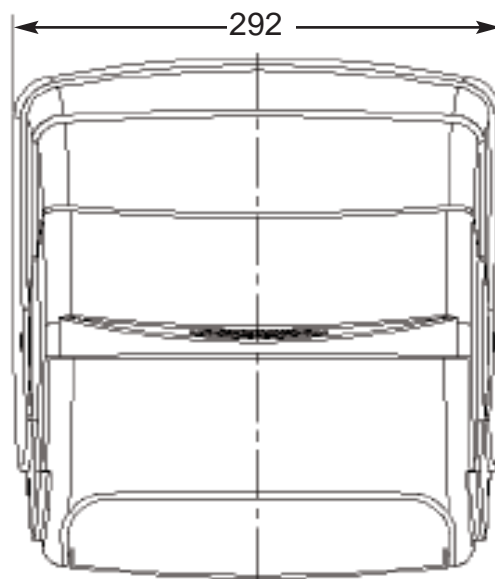
T: +32(0)1522 8140

F: +32(0)1522 8148

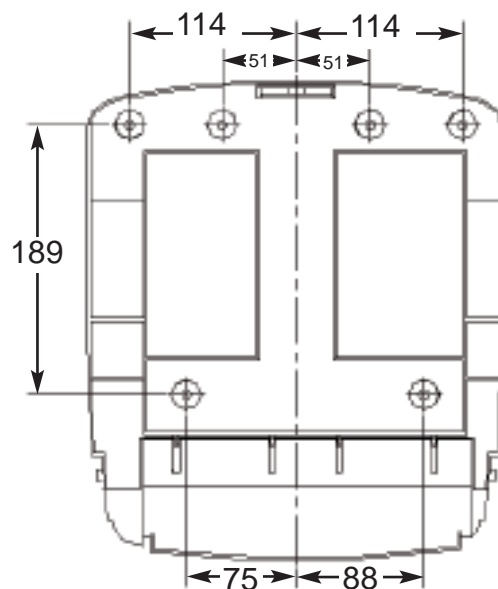
www.sanjamar.com



FRONT (mm)



BACK (mm)



SIDE (mm)

