

TECHNICAL DATA SHEET



Lever Roll Towel



PRODUCT CODE: T950

- Universal: Holds ALL paper qualities and core sizes
- Simple & Easy to load with fewer internal parts
- Compact & high capacity: integrated design features the smallest foot print for an 800ft, 8" diameter roll.
- Ergo-Hygienic, ADA compliant lever with Bio-pruf® protection.

Installation: Wall mounted

Closure: With lock

Color: Black Pearl, Arctic Blue

Dimensions:
12.82" (L) x 12.49" (W) x 8.60" (D)

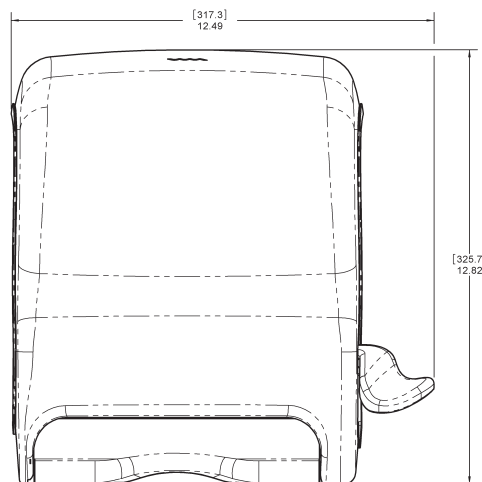
Capacity:
(1) 8" wide roll; 8" diameter

Core Diameter: ANY!

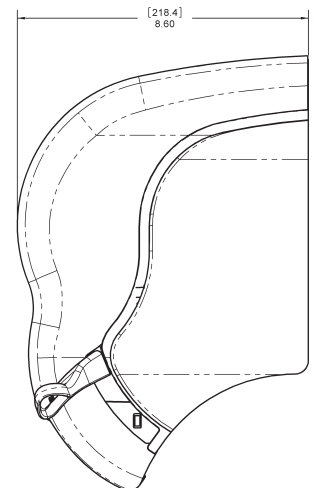
Case Weight: 3.856 lbs (1.749kgs)

Materials:
Base : break resistant plastic
Cover: break resistant plastic

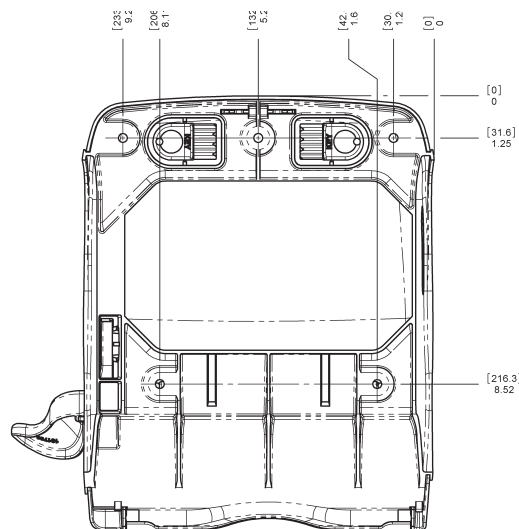
FRONT



SIDE



BACK



TECHNICAL DATA SHEET



Lever Roll Towel



PRODUCT CODE: T950

- Universal: Holds ALL paper qualities and core sizes
- Simple & Easy to load with fewer internal parts
- Compact & high capacity: integrated design features the smallest foot print for an 244m, 200mm diameter roll.
- Ergo-Hygienic, ADA compliant lever with Bio-pruf® protection.

Installation: Wall mounted

Closure: With lock

Color: Black Pearl, Arctic Blue, White/Clear

Dimensions:
325.7mm (L) x 317.3mm (W) x 218.4mm (D)

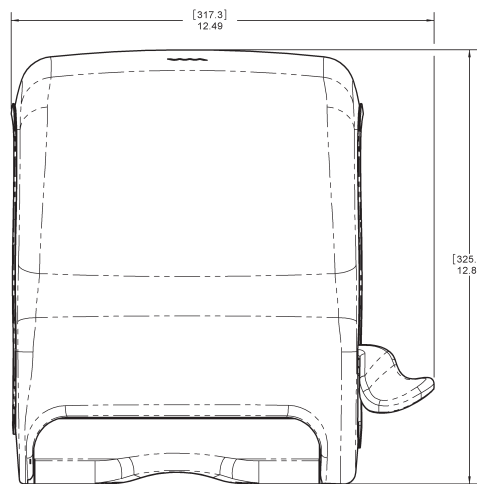
Capacity:
200mm wide roll; 200mm diameter

Core Diameter: ANY!

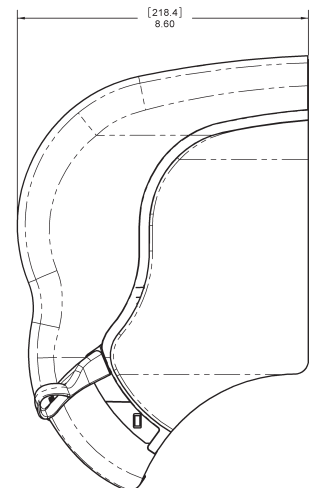
Case Weight: 3.856 lbs (1.749kgs)

Materials:
Base : break resistant plastic
Cover: break resistant plastic

FRONT



SIDE



BACK

