

TECHNICAL DATA SHEET



Lever Roll Towel - Oceans™



PRODUCT CODE: T990

- Universal: Holds ALL paper qualities and core sizes
- Simple & Easy to load with fewer internal parts
- Compact & high capacity: integrated design features the smallest foot print for an 800ft, 8" diameter roll.
- Ergo-Hygienic, ADA compliant lever with Bio-pruf® protection.

Installation: Wall mounted

Closure: With lock

Color: Black Pearl, Arctic Blue

Dimensions:

12.82" (325.7mm) L x 12.49" (317.3mm) W x 8.60" (218.4mm) D

Capacity:

(1) 8" wide roll; 8" diameter

Core Diameter: ANY!

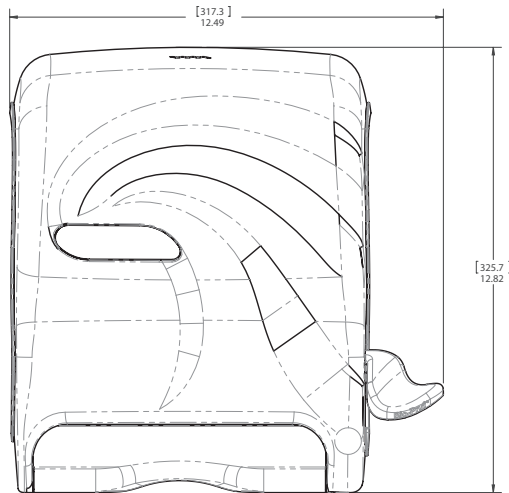
Case Weight: 3.856 lbs (1.749kgs)

Materials:

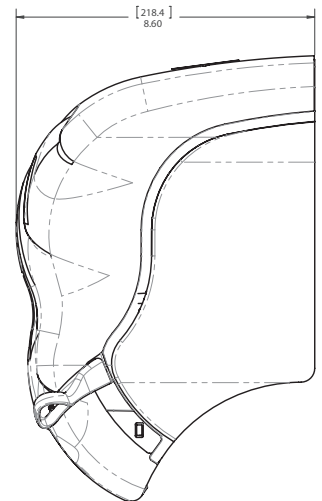
Base : break resistant plastic

Cover: break resistant plastic

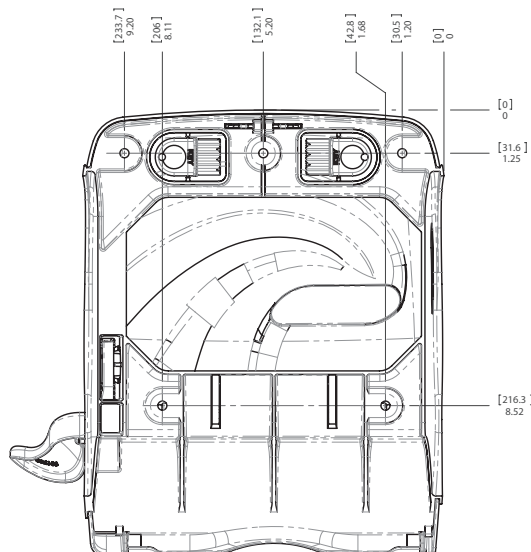
FRONT



SIDE



BACK





Oceans® Element™
now coordinates with
San Jamar's Oceans® Family.

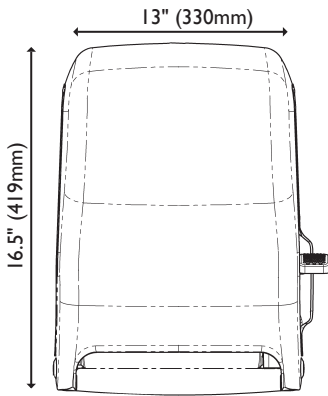


Compact- high capacity
holds up to 800' (244m)
of 8" (200mm) diameter
hard wound roll towel.
The industry's most
compact dispenser.

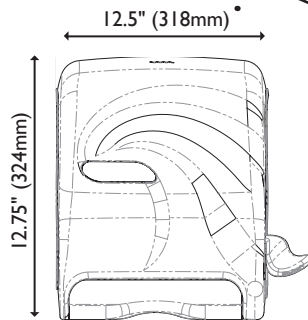


Bio-Pruf® handle
inhibits bacteria growth.
New ergonomic handle
designed for ease of use.

33% smaller
than a standard
lever roll towel
cabinet



Typical Lever Dispenser



Element™



**All paper qualities
and core sizes**

ITEM NUMBER	CAPACITY	DIMENSION	WEIGHT	CASE PACK
T990TBK	All paper qualities; any core size	12.75"h x 12.5"w x 8.5"d 324mm h x 318mm w x 21.6mm d	3.856 lbs 1.8kg	1
T990TBL	All paper qualities; any core size	12.75"h x 12.5"w x 8.5"d 324mm h x 318mm w x 21.6mm d	3.856 lbs 1.8kg	1



sanjamar.com/element
for product information
and video

San Jamar • Chef Revival
555 Koopman Lane
Elkhorn, Wisconsin 53121
USA
T: +1.262.723.6133
F: +1.262.723.4204
info@sjcr.com
www.sanjamar.com
www.chefrevival.com
www.sjcr.com

SJCR Canada
3300 Bloor Street West
Center Tower, 11th Floor
Suite 3140
Toronto, ON M8X 2X3
CANADA
T: +1 (262) 723.6133
F: +1 (262) 723.4204
Customer Care: (800) 248.9826
canada@sjcr.com

SJCR Europe
Schoorstraat 26a, bus 1
2220 Heist op-den Berg
BELGIUM
T: +32 1522 8140
F: +32 1522 8148
emea@sjcr.com

SJCR México
Av. Universidad #1377-701
Colonia Axotla CP 01030
Del. Alvaro Obregon
MEXICO, D.F.
T: +52 (55) 3626 0772
F: +52 (55) 5273 4495
mexico@sjcr.com

SAN JAMAR
Smart ♦ Safe ♦ Sanitary