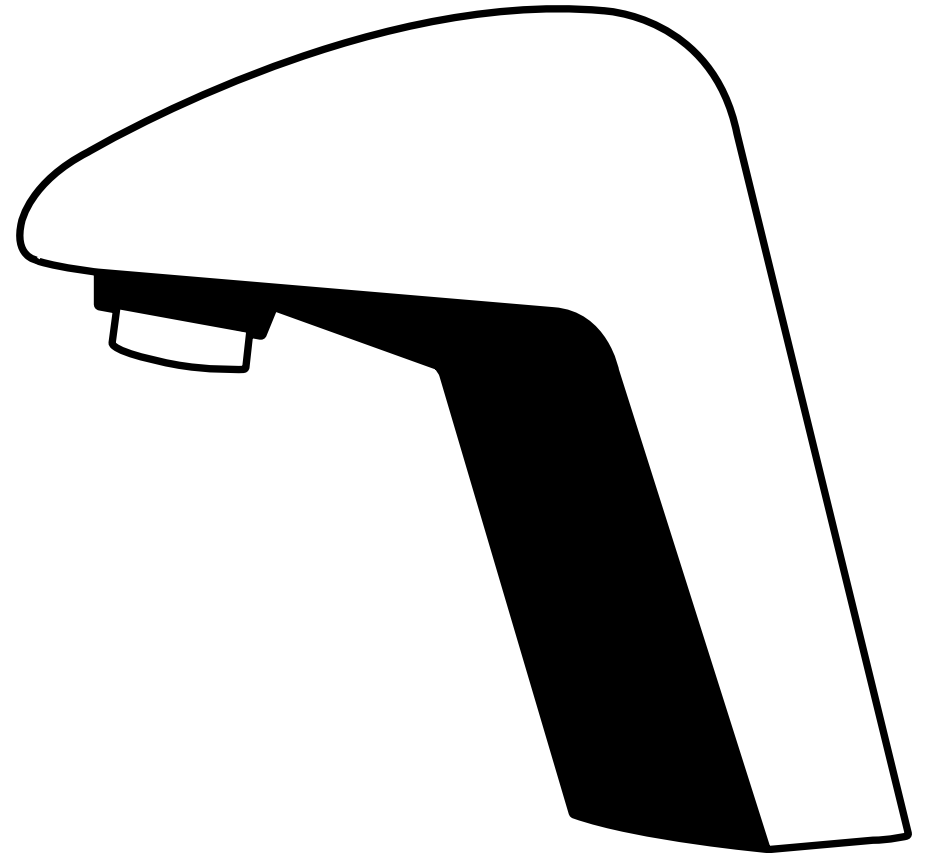
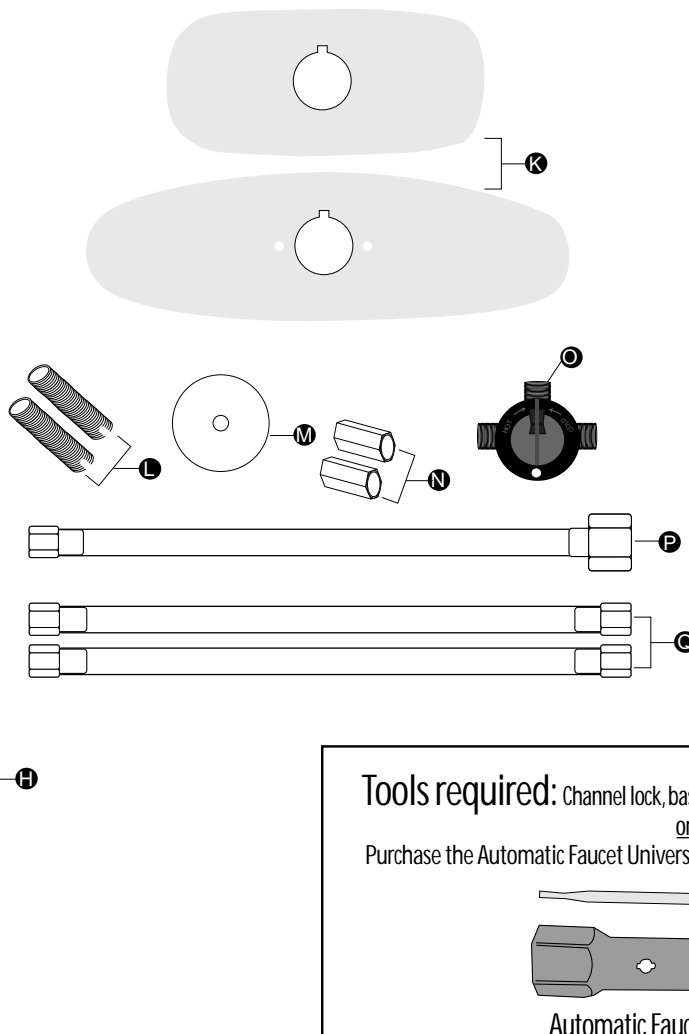
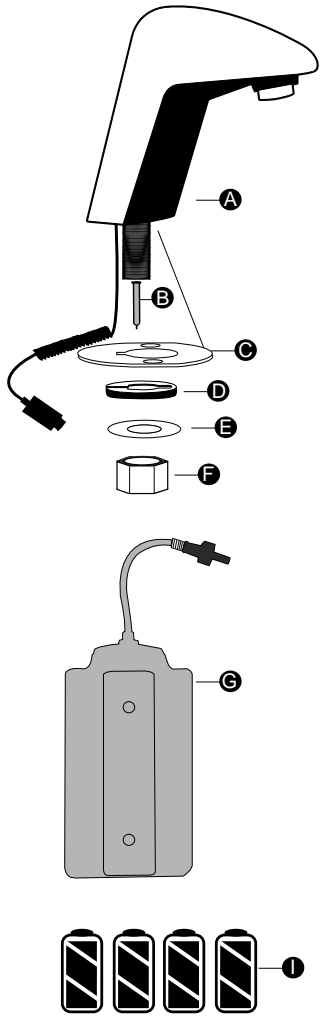


Automatic Faucet

Installation & Maintenance



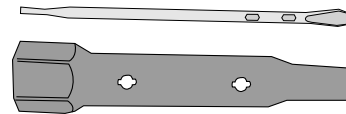
Automatic Faucet Parts List



- A. Automatic Faucet with 1.5 GPM Aerator
Infrared Sensor with Automatic Range Adaptation
- B. Dirt Filter (comes installed in shank)
- C. Adhesive Washer (already in place)
- D. Slotted Plastic Washer
- E. Metal Washer
- F. 15/16" Mounting Nut
- G. Battery Compartment
- H. Screws and Anchors (2)
- I. 4 D Alkaline Batteries
- J. Allen Wrench

- Optional Components (included if ordered)
- K. 4" or 8" Cover Plate with Rubber Gasket
 - L. Threaded Cover Plate Mounting Bolts (2)
 - M. Cover Plate Washers (2)
 - N. Hex Nuts (2)
 - O. Mixing Valve
3/8" x 3/8" x 3/8"
 - P. Main Supply Hose
1/2" x 3/8" x 12"
 - Q. Hot & Cold Supply Line Hoses (2)
3/8" x 3/8" x 12"

Tools required: Channel lock, basin, or crescent wrench, screwdriver, phillips screwdriver
or
Purchase the Automatic Faucet Universal Tool, part# 490142, through your local distributor.



Automatic Faucet Universal Tool # 490142

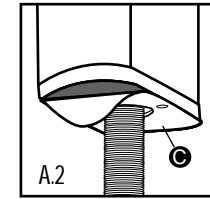
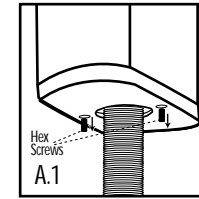
Automatic Faucet Installation Instructions

Prior to installation

Turn off water supply and remove existing faucet. Ensure supply lines are completely flushed and free of debris. Wash and dry the sink around the mounting area.

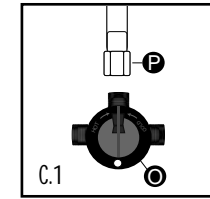
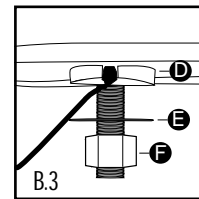
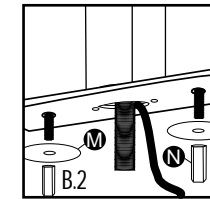
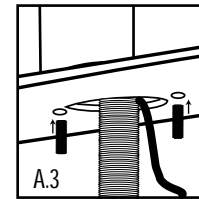
A Cover Plate Installation (optional)

- A.1 Unscrew hex screws in base of spout using provided Allen wrench (J). Place safely to the side for use later. See illustration A.1.
- A.2 Remove plastic sheet from bottom of adhesive washer (C). See illustration A.2.
- A.3 Guide electrical cord and brass shank through cover plate (K) and secure cover plate to the base of the spout using the hex screws you removed in Step A.1



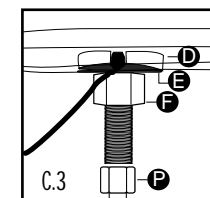
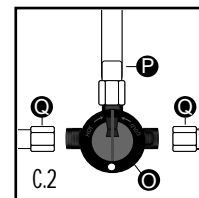
B Spout Installation

- B.1 Install faucet spout (A) with attached cover plate (K) into sink guiding electrical cord, brass shank and, cover plate bolts through sink holes. If you are not using a cover plate than remove the plastic sheet from bottom of adhesive washer (C), guide the electrical cord and brass shank through sink hole and skip to Step B.3.
- B.2 Secure cover plate to sink using cover plate washers (M) and hex nuts (N). See illustration B.2.
- B.3 Secure faucet to sink using slotted plastic washer (D), metal washer (E) and 15/16" mounting nut (F). Ensure electrical cord passes through the groove in slotted plastic washer (D). See illustration B.3.
- B.4 Tighten mounting nut. Ensure the electrical cord is not pinched by washers or nut.



C Water Supply Installation

- C.1 Connect the main supply line hose (P) to the mixing valve (O). See illustration C.1.
- C.2 Connect the hot and cold supply line hoses (Q) to the mixing valve (O). See illustration C.2.
- C.3 Connect 1/2" end of main supply line hose (P) to the brass shank of faucet spout. See illustration C.3.
- C.4 Connect the hot and cold supply line hoses (Q) to the water supply lines.



1

Continued Automatic Faucet Installation Instructions

D Battery Box Installation

- D.1 Determine a convenient location on the wall to install the battery box (G), connect power cord to battery cord.
- D.2 Use screws and anchors (H) provided inside the battery compartment (G) to attach battery compartment to the wall. Only one screw and anchor is necessary to secure box.
- D.3 Install 4 "D" cell alkaline batteries (I) and replace battery compartment cover.
- D.4 Connect electrical cord from battery compartment (G) to the electrical cord from the spout.
- D.5 Attach battery compartment on the wall.

2

Automatic Faucet Operation

- 2.1 Turn each of the water supplies on full.
- 2.2 Place hands under the faucet to activate.
- 2.3 To regulate the temperature of the water, loosen screw on face of the mixing valve, slide the HOT/COLD ADJUSTER back and forth until desired temperature is achieved.
- 2.4 Tighten screw on face of mixing valve to lock in position.

