

STERLING Universal Dispenser Program

2014 Line-Up

NEW



SSS Sterling 8" TouchFree
Mechanical Towel Dispenser
#76103

NEW



SSS Sterling 8" Push Bar
Towel Dispenser
#76102



SSS Sterling Center Pull
Towel Dispenser
#76100

NEW



SSS Sterling Double Roll
Tissue Dispenser
#76105



SSS Sterling 8" TouchFree
Mechanical Tissue Dispenser
#76101

NEW



SSS Sterling Folding Towel
Dispenser
#76107

STERLING

8" Universal Roll Towel Dispensers

Performance and quality from a brand you can trust.



76103

Replaces 52010



- *Smoked window accepts advertisements.*
- *Robust cutting mechanism reduces jamming*
- *Sanitary, ands free*
- *No costly batteries or disposal*
- *Side turn knob—Easy loading*
- *Long paper tail—Reduces tabbing*



76015, 76024



76014, 76017



76102

Replaces 52006



- *Smoke cover easily shows towel levels*
- *Innovative Push Anywhere cover*
- *Excellent Value*
- *No Costly Batteries or Disposal*



76015, 76024



76014, 76017

SS **TRIPLE S**
NATIONWIDE
SANITARY SOLUTIONS
1 - 8 0 0 - 3 2 3 - 2 2 5 1
www.triple-s.com

Protection. Differentiation. Control.

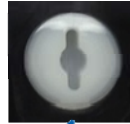
STERLING

8" Universal Roll Towel Dispensers

Item # 76103

Simple & Secure Lock

Locking mechanism is easy to use and eliminates theft.



Advertising Window

Dispenser cover is fitted with a window for advertisements, reminders or general communications.



Moisture Deflection

When cleaning the walls and dispenser, this curved back plate runs water away from the paper and vital dispenser parts.



Side Turn Knob

Load paper easily with the use of the side turn knob. Dispenses paper if the rare event paper is not exposed.



Long Paper Tail

More exposed paper gives wet hands more surface area which reduces tabbing and keeps floors clean.

76103



Wide Selection of Mounting Holes

Provides greater mounting security as well as ease of installation.

Stub Roll Capable

Reduce waste and risk of running out of paper with the use of the stub roll feature.

Easy Pull Cutting Mechanism

Cutting mechanism has a low pull force that allows for easy paper removal and reduces tabbing.



STERLING

8" Universal Push Lever Dispensers

Item # 76102

Translucent Cover
This translucent cover lets you see when paper needs to be replaced.

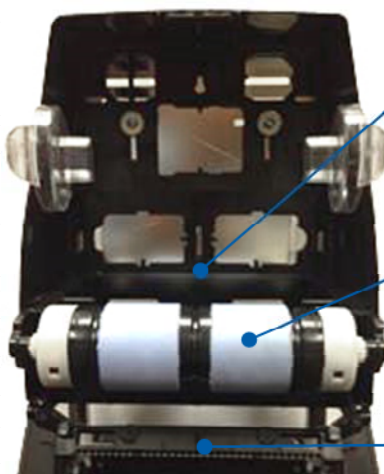
76102



Simple & Secure Lock
Locking mechanism is easy to use and eliminates theft.

Large Push Cover

This cover feeds paper when pushed with your hands, elbow or forearm.



Stub Roll Capable

Reduce waste and risk of running out of paper with the use of the stub roll feature.

High Grip Drum

Paper advancing drum has a rubber coating that provides excellent grip and performance.

Metal Enforced Tear Blade

Tear blade is reinforced with steel which improves the tear performance of the products life.

STERLING

Universal Centerpull Towel Dispenser

Performance and quality from a brand you can trust.

76100



- *Sanitary, hands free*
- *Extremely durable & reliable*
- *One-towel-at-a-time cone technology*
- *No moving parts or costly batteries*
- *Easy to clean Removable Tray & Back Plate*

Replaces 52009



76016

Universal Folded Towel Dispenser



76107

- *Smoked window clearly shows towel levels*
- *Compact size will fit almost anywhere*
- *Excellent Value*
- *Sanitary, hands free*

Replaces 52008



76011



76010

SS **TRIPLE S**
NATIONWIDE
SANITARY SOLUTIONS
1 - 8 0 0 - 3 2 3 - 2 2 5 1
www.triple-s.com

Protection. Differentiation. Control.

STERLING

Centerpull Towel Dispenser

Item # 76100

76100

Transparent Cover

This translucent cover lets you see when paper needs to be replaced.

Very Durable Plastic

Polycarbonate cover is difficult to scratch or break.

Simple & Secure Lock

Locking mechanism is easy to use and eliminates theft.

Hands Free

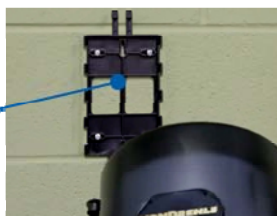
Exposed paper does not require cross contamination levers to operate.

Patented Cone

Get "One towel at a time" from this angled, reinforced dispensing cone.

Mounting Plate

Mounting plate makes the dispenser easy to install and easy to clean.



Removable Tray

This removable tray makes the dispenser easy to clean.



STERLING

Multi Fold Towel Dispenser

Item # 76107

76107

Smoked Window

Transparent window makes it easy to see if the dispenser needs refill.

2 package capacity

Compact dispenser holds two full packages of multifold towels.

Compact Size

This dispenser holds full size folded towels in a compact footprint that can fit almost anywhere.



Side Lock

Side lock makes it easy for everyone to open and refill.

STERLING

9" Universal Jumbo Tissue Dispensers

Performance and quality from a brand you can trust.



76101

- *Extremely durable polycarbonate cover*
- *Grooved base hides seams and discourages break in attempts.*
- *No stub roll waste*
- *Very high capacity*
- *Hidden tear blades*

Replaces 52005



76001, 76002, 76023

Standard Bath Tissue Dispenser



76105

- *Smoked cover clearly shows towel levels*
- *Easy to load and very reliable*
- *Slide bar reduces waste and stub rolls*
- *Twin roll eliminates stub roll waste*

Replaces 52007



76150, 76022

SS **TRIPLE S**
NATIONWIDE
SANITARY SOLUTIONS
1 - 8 0 0 - 3 2 3 - 2 2 5 1
www.triple-s.com

Protection. Differentiation. Control.

STERLING

9" Universal Jumbo Tissue Dispenser

Item # 76101

Simple & Secure Lock

Locking mechanism is easy to use and eliminates theft.

Moisture Deflection

When cleaning the walls and dispenser, this curved back plate runs water away from the paper and vital dispenser parts.

Smoked Window

Transparent window makes it easy to see if the dispenser needs refill.

Translucent Cover

This translucent cover lets you see when paper needs to be replaced.

Very Durable Plastic

Polycarbonate cover is difficult to scratch or break.



76101



Wide Selection of Mounting Holes

Provides greater mounting security as well as ease of installation.

Twin Roll Capacity

Reduce waste, maintenance, and any risk of running out of paper with the twin jumbo roll capacity.

Hidden Tear Blade

Tear blade faces the inside of the dispenser which quickly cuts the tissue while hiding the blades.