

There is an invisible threat hiding in places where we live, work, and visit every day.



Surface Disinfection & Infectious Disease Control

ARE YOU BEING EXPOSED TO
INFECTION WITHOUT KNOWING IT?

THE RISK IS REAL.

MRSA, Pandemic H1N1, Avian Influenza

*40,000 people die from a MRSA infection every year in the US.**

WHY YOU SHOULD

*In 2009, only 45% of American adults received a seasonal flu vaccine.***



An invisible threat is hiding in the places

The spreading of germs that cause illnesses, like the common cold and flu to more serious infections like H1N1 and MRSA, is a concern for everyone. Whether transferred directly by skin-to-skin contact, airborne (sneezing, coughing) or indirectly by using contaminated shared objects, the result is a population continually exposed to potentially devastating illnesses without knowing it.

Common cleaning methods are not enough. Traditional cleaners and disinfectants, including household chlorine bleach, are used incorrectly, generate carcinogenic/toxic disinfecting by-products, and have been linked to health problems such as asthma and severe skin and eye irritation. This is why Sanosil S010 was created. Sanosil's unique formula is an effective alternative to disinfectants being used today for pre-cleaned surfaces. It's no wipe, no rinse formula kills 99.99% of all bacteria, viruses and fungi, including Rhinovirus (common cold), H1N1 and MRSA. Independent tests endorse the effectiveness of Sanosil against many of the most serious microorganisms.

Learn how adding Sanosil S010 to your infection prevention measures can help eliminate the threat you can't see and reduce *your* chances of exposure to infection.



*In the US alone, 98,000 patients die every year after contracting a Hospital Acquired Infection (HAI).**

*In 2009, 11,000 people died from the H1N1 Swine Flu Pandemic in the US.**

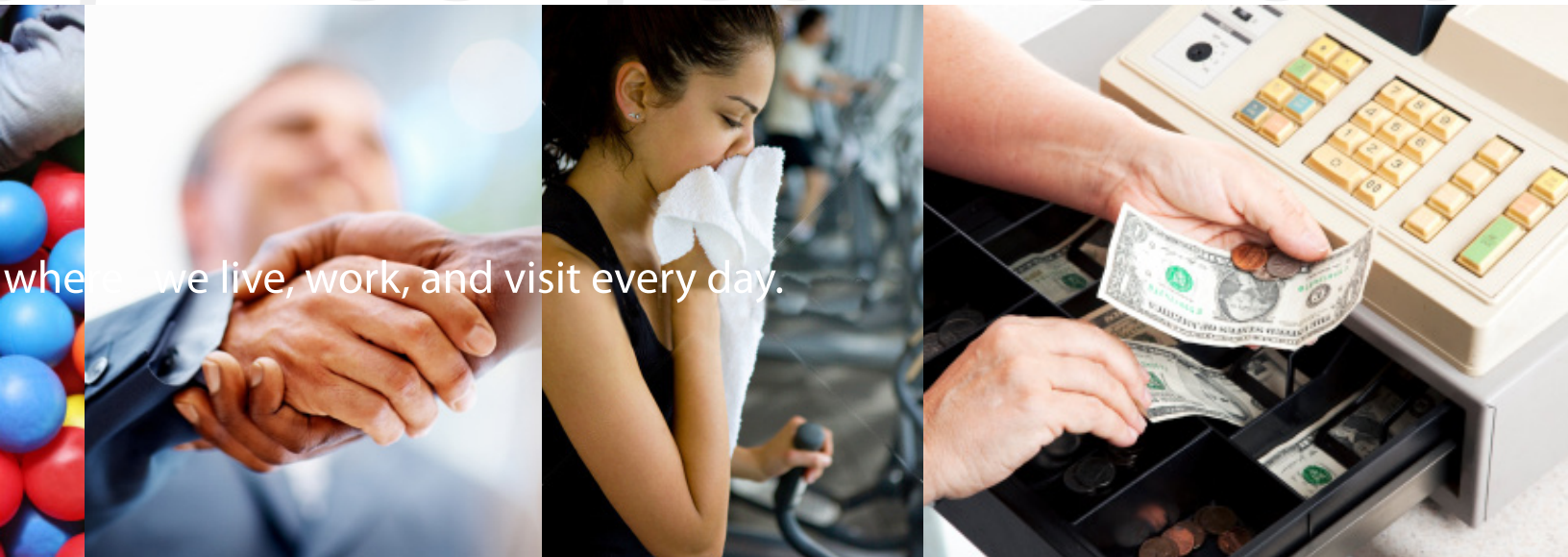
*The average workplace desk harbors 400 times more bacteria than the average toilet seat.****

Source: *CDC, **Consumer Reports Health.org, *** Charles Gerba, University of Arizona, "Germs in the Workplace," 2007

Immune Outbreak,
a. E. Coli, Salmonella

BE CONCERNED:

where we live, work, and visit every day.



WHAT IS SANOSIL S010?

Sanosil S010 is a patented, ready-to-use surface disinfectant effective in killing 99.99% of bacteria, viruses and fungi found on pre-cleaned surfaces.



Sanosil S010 is:

- Ready-to-Use, no mixing
- EPA Registered (EPA No. 84526-1)
- Simple - no rinse or wipe formula reduces risk of cross contamination associated with using a rag, wipe or sponge
- Kills 99.99% of viruses, bacteria and fungi
- Odorless
- Can be sprayed or fogged
- No known bacterial resistance
- Safe – decomposes into water and oxygen
- Sanosil contains no chlorinated or brominated ingredients
- Effective in hard to reach areas like nooks, crevices and corners
- Prevents the growth and re-occurrence of mold

A Multi-Faceted Killing Mechanism

Sanosil combines hydrogen peroxide and silver synergistically, releasing highly reactive free radicals that immediately begin to attack the cell membrane of the targeted microorganism. These weaken the cell and allow the silver ions to enter. Together, the silver and hydrogen peroxide destroy the microorganism by:

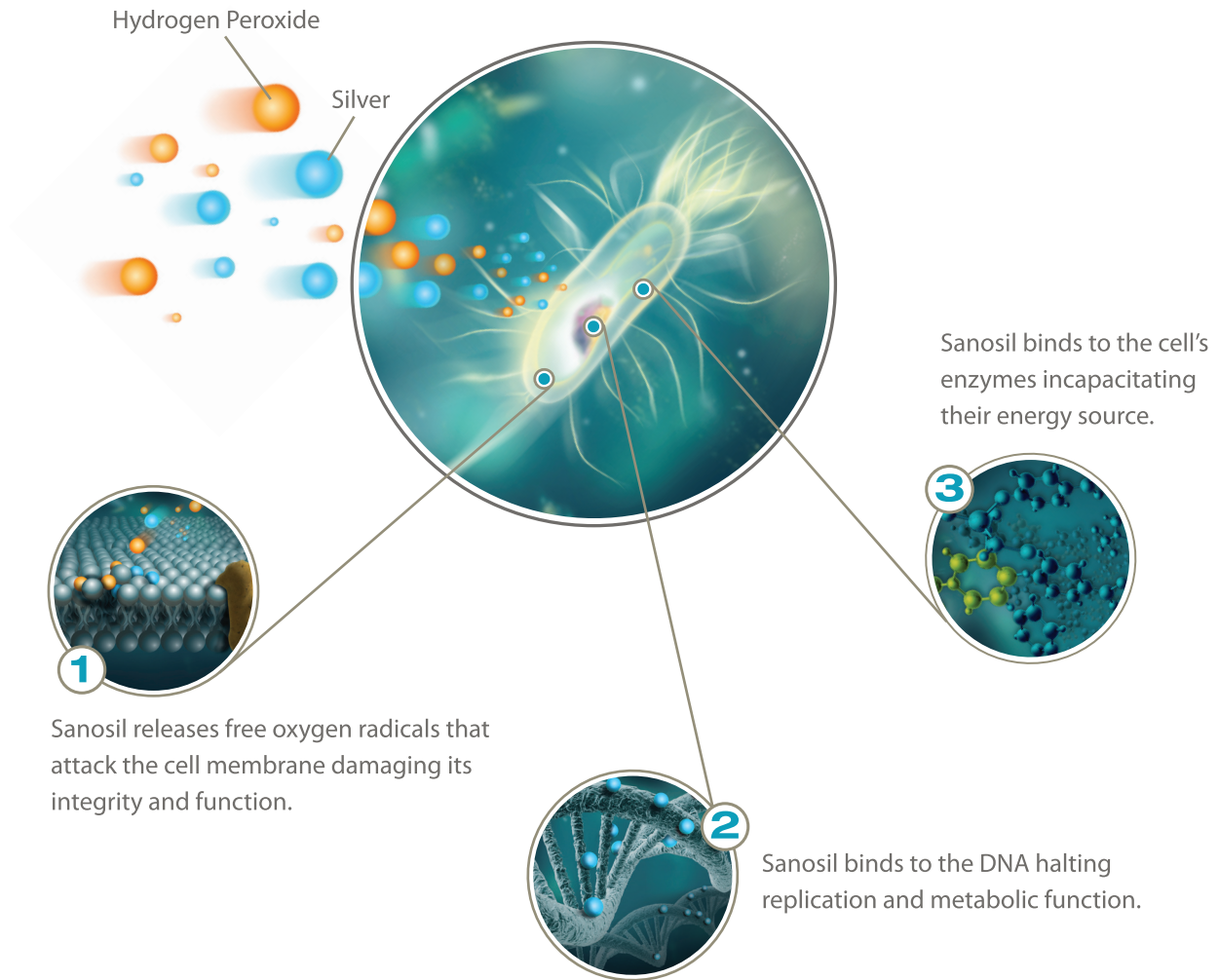
1. Attacking and disrupting the cell membrane.
2. Binding to the enzymes causing denaturation.
This incapacitates the energy source of the cell causing rapid death.
3. Binding to the DNA to stop replication.

During the process, hydrogen peroxide decomposes into oxygen gas, which creates a highly toxic environment for anaerobes. This completes the active disinfection process.

Cleaning versus Disinfecting

Cleanliness is the number one problem for controlling the spread of infectious diseases. The typical cleaning measures used today remove only the dirt and grime from a surface, leaving the surface cleaned but not disinfected. Even after a thorough cleaning, quite often germs are left behind on surfaces; the viruses that can cause infection and illness, and the bacteria that cause odors for example. Only by using a dedicated disinfectant can you eliminate the threat you can't see and Sanosil S010 is an effective alternative for your surface disinfecting needs.

HOW SANOSIL WORKS



Traditional cleaners and disinfectants, including household chlorine bleach, may generate toxic by-products and exposure to these chemicals has been associated with health problems such as asthma and severe skin and eye irritation.

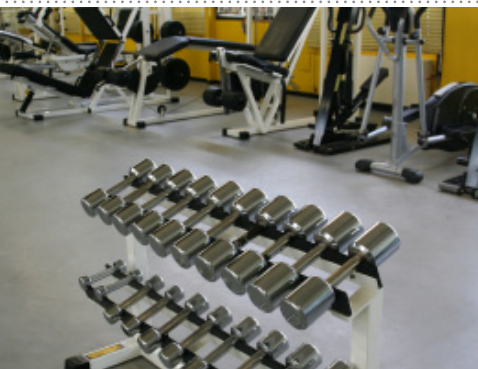
Sanosil does not contain chlorine, sodium hypochlorite (bleach), alcohol, aldehydes, phenolics, quaternary ammonium compounds (quats), or sodium hydroxide.

SANOSIL can be used for many disinfecting



Children in **DAYCARES** have a tendency to pick up and spread any number of germs because of congregating in such close proximity and through the sharing of toys, utensils and play areas. There is a legitimate fear of sending a healthy child to daycare and picking him or her up at the end of the day with a cold or worse.

- *Play Rooms, Toys • Snack and Napping Areas • Nurse's Office • Arts and Crafts Area*
- *Restroom, Sinks and Toilets*



GYM cleanliness is vital to members. They expect clubs to be germ-free. Showers, Floors, Locker Rooms, Restrooms and Fitness Equipment are the most common areas for exposure to an infection due to the high-traffic use. This is important because some cold and flu viruses can survive on surfaces for up to 72 hours.

- *Saunas, Sinks and Showers • Locker Rooms • Workout Equipment • Exercise Rooms*



In **ASSISTED CARE FACILITIES**, care givers travel from room to room, interacting with patients and equipment so a thorough disinfection is critical due to the somewhat frail nature of the patients and their immune systems. Typically, housekeeping has only a short window of time to clean before a new patient arrives in a room.

- *Patient Rooms and Equipment • Bathrooms • Nurse's Stations • Activity Rooms*



Employees **WORK** in close proximity with one another sharing space, equipment and tasks. This kind of interaction encourages person-to-person and surface contact to person transmission of bacteria and viruses. How many sick days can your business afford?

- *Offices and Conference Rooms • Kitchenettes and Appliances • Elevators • Bathrooms*
- *Electronics, Desks, Countertops*

applications including:

VETERINARIANS and assistants can see many pets throughout their day potentially exposing them and their other “patients” to many serious diseases. With different breeds and varieties of pets moving through the facility, the high-traffic areas like the reception area, the exam rooms and kennel areas are prime infection transfer locations.

- *Reception Desk and Waiting Room • Exam Rooms • Pet Grooming Areas*
- *Restroom, Sinks and Toilets • Kennels*



Over 98,000 patients die each year from infections they acquire after being admitted to a **HOSPITAL** or other healthcare facility. Because of their size and complexity, hospitals are difficult to properly disinfect. In addition, healthcare workers routinely work with multiple patients over a shift increasing the chances for spreading infections.

- *Patient Rooms • Equipment Storage Rooms • Operating Rooms*
- *Triage and Pre & Post Op • Reception and Waiting Rooms*



SCHOOLS AND UNIVERSITIES need to be diligent about responding to the outbreak of illness, while also responding to the pressure from parents and faculty to keep facilities germ free. Students tend to have reduced levels of personal hygiene so the greatest risk of infection comes from surfaces touched by multiple people.

- *Athletic Workout and Training Rooms • Lecture Halls • Dorm Rooms*



DOCTORS, NURSES AND PHYSICIAN’S ASSISTANTS

see multiple patients throughout their day. Not all of their patients show symptoms of an infection at the time of an office visit so it is critical that every step be taken to prevent the spread of infection, from hand washing to the routine cleaning and disinfecting of equipment, and reception and examination rooms.

- *Reception Desk • Waiting Rooms • Equipment • Restrooms • Treatment Rooms*



SANOSIL S010 SPRAY

For convenient spot disinfecting of pre-cleaned surfaces

Wiping Spreads Germs

Independent studies show that even after thorough wiping with a disinfectant, high levels of residual bacteria can still be found in a room. The problem can be traced back to wiping. Wiping picks up bacteria and viruses and carries them from surface to surface. There is no way to avoid the danger of cross-contamination when wiping is involved.

- Most disinfectants have to be left on surfaces for at least 10 minutes to kill germs (*read the label*). People tend to immediately wipe a surface after spraying it. Therefore, the disinfectant is not in contact with the surface long enough to effectively disinfect.
- Anti-bacterial wipes also remove disinfectants from surfaces too quickly to disinfect.
- Sponges have been identified as one of the most contaminated items, harboring millions of bacteria and viruses.
- Anti-bacterial wipes, sponges and rags are all too large to reach into cracks and crevices.
- When using a rag or sponge, there is no way to be sure how much disinfectant is reaching the surface.
- Spraying and wiping is labor intensive and time consuming.



NO WIPE. NO RINSE.
REDUCES CROSS-CONTAMINATION.

Just spray and walk away.



A Sign With A Powerful Message

The bold SANO-SEALED™ mark tells everyone who sees it that Sanosil S010 Disinfectant is being used with Sanosil's Halo Fogger to supplement infection prevention measures, like manual cleaning, with unique and powerful room surface disinfection.

SANOSIL HALO™ FOGGER

Delivering powerful supplemental room surface disinfection

The Sanosil Halo Fogger is an amazing new delivery technology designed to supplement infection prevention measures, like manual cleaning, with unique and powerful room surface disinfection.

At the push of a button, the Halo dispenses a dry mist of atomized Sanosil S010 into the air. The droplets fill the room and are drawn into every nook, crevice and corner, reaching surfaces that regular cleaning and disinfecting can't. The Halo assures a homogenous distribution of disinfectant on all surfaces in the room, reducing the risk of cross-contamination of infectious diseases associated with using a rag, wipe or sponge.

Advantages

- The Halo Fogger reduces the risk of cross-contamination associated with using a rag, wipe or sponge
- The Halo is ideal for use in heavily used, large public areas
- Rooms can be reoccupied in as quickly as 110 minutes after treatment*
- Treat rooms up to 10,000 ft³ in size with one unit
- Reach surfaces that regular cleaning and disinfecting can't
- **Less Labor** - operates automatically: just fill, set time, press start and leave the room.

- **Less Cost** - less than \$4 to treat 1,000 cubic feet!

* To ensure occupational health hazard levels are not exceeded, 110 minute re-entry time is for a room size of 1,800 ft³ (50 m³) or smaller. Larger rooms require longer re-entry wait times.



1-Gallon bottles available for refilling the Halo Fogger

SANOSIL S010 IS EFFECTIVE AGAINST*:

| <i>Test Organism</i> | <i>ID</i> | <i>Kill Time</i> |
|--|------------------|------------------|
| Salmonella enterica | ATCC 10708 | 5 min |
| Staphylococcus aureus | ATCC 6538 | 5 min |
| Staphylococcus aureus – MRSA | ATCC 33592 | 5 min |
| Staphylococcus aureus & Enterobacter aerogenes | ATCC 13048 | 5 min |
| Bacteria | | |
| Pseudomonas aeruginosa | ATCC 15442 | 10 min |
| Staphylococcus aureus | ATCC 6538 | 10 min |
| Salmonella enterica | ATCC 10708 | 10 min |
| Staphylococcus aureus – MRSA | ATCC 33592 | 10 min |
| Enterobacter aerogenes | ATCC 13048 | 10 min |
| Escherichia coli | ATCC 11229 | 10 min |
| Sulfate Reducing Bacteria | | |
| Viruses | | |
| Human Immunodeficiency Virus type 1 (HIV-1) | Strain HTLV IIIB | 10 min |
| Influenza A virus Hong Kong (flu virus) | ATCC VR-544 | 10 min |
| Avian Influenza A (H5N1) virus (flu virus) | Strain VNH5N1 | 10 min |
| Rhinovirus type 37 | ATCC VR-1147 | 10 min |
| Swine Influenza A (H1N1) | ATCC VR-333 | 10 min |
| Fungi | | |
| Trichophyton mentagrophytes | ATCC 9533 | 10 min |

* EPA registered claims summary at time of printing. Subject to change.



A PLAN FOR THE FUTURE

Protect your employees and family beyond a flu shot, all year long.

Promote your business to be Sano-Sealed to attract and retain customers.

Reduce the impact of the next pandemic on your business.

Sanosil S010 Disinfectant and the Halo Fogger deliver the ability to kill the invisible threat and reduce your risk of exposure to infections, while providing an improved state of health for your facility. Sanosil is easy to apply: just spray and walk away, or press start to easily fog a room with the Halo Fogger. Sanosil provides an effective alternative to the harmful disinfectants being used today.

The risk is real. And so is the solution. Sanosil.


Sanosil®

For more information,
please contact



Is your space
SANO·SEALED?

SANO·SEALED™

Sanosil S2016 All Purpose Disinfectant and the Halo™ Fogger
Delivering Effective Supplemental Room Disinfection

Sanosil | www.SanosilKillsGerms.com
© 2011 Sanosil International LLC. All rights reserved.

Sanosil S010 Disinfectant

For convenient spot disinfecting of pre-cleaned surfaces

EPA Reg No. 84526-1

Active Ingredients:

5.0% Hydrogen Peroxide, 0.01% Silver

Product Item No.:

| | |
|----------|--|
| S010N0Q6 | Case, x6 - 32 oz Spray Bottles |
| | Case Shipping Dimensions (LxWxH): 10" x 9" x 11" (254 x 229 x 279.4 mm) |
| | Case Shipping Weight: 16 lbs (7.2 kg) |
| | Shipping NMFC 57100 Sub 2 |
| | Shipping Class 85 |
| | |
| S010N0G4 | Case, x4 - 1-Gallon Bottles (3.8L) - use to fill Sanosil Halo Fogger |
| | Case Shipping Dimensions (LxWxH): 11" x 11" x 11" (279.4 x 279.4 x 279.4 mm) |
| | Case Shipping Weight: 48 lbs (21.74 kg) |
| | Shipping NMFC 57100 Sub 2 |
| | Shipping Class 85 |



Sanosil Halo™ Fogger

Delivering powerful supplemental room surface disinfection

Product Item No.:

| | |
|----------|--------------------------------|
| 0750-110 | 110V version for North America |
| 0750-220 | 220V version for International |

Halo Fogger Specifications

| | | |
|--------------------|--------------------|--|
| Mechanical | Height | 40.0" (1016 mm) |
| | Width | 13.25" (336.6 mm) |
| | Depth | 18.5" (470 mm) |
| | Weight | Approximately 50 lbs (22.7 kg) |
| Electrical | Power Requirements | 110V Version - North America 220V Version - International |
| | Certification | MET UL 969, MET CE |
| | Current Rating | 4 amps |
| | Fuse | 10 amps, 250 volt, slow acting, 5 x 20mm |
| | Electrical Rating | 4 amps, 115 volt, 60 Hz (220 volt, 50 Hz for the 220V Halo) |
| Performance | Nozzle Flow | 1.0 oz / min +/- 20% |
| | Volumes Treated | 400 – 10,000 ft ³ |



Shipping Information

| | | |
|---------------------|-----------------|-------------------------|
| Shipping Dimensions | 45" x 21" x 19" | 1143 x 533.4 x 482.6 mm |
| Shipping Weight | 70 lbs | 31.7 kg |
| Shipping NMFC | 177670 Sub 6 | |
| Shipping Class | 100 | |

Sanosil Halo Fogger Starter Kit

Convenient bundle of items to help get you started

Product Item No.:

| |
|--------------------------|
| STRKT110 (110V version) |
| STRKT220V (220V version) |

Starter Kit Includes:

- Sanosil Halo Fogger
- Sanosil Halo Fogger User Manual
- Sanosil S010 Disinfectant 1 case (4x 1-gallon bottles)
- Sanosil Chemical Indicator H₂O₂ Strip Tests, 1 container (50 strips)
- Sanosil Human Healthcare Market Product List
- Sanosil Best Practice Protocol - Room Disinfecting with the Sanosil Halo Fogger

Sanosil Halo™ Fogger Accessories

Halo Fogger Nozzle Assembly

Dispensing Performance Upgrade for Halo Fogger

Product Item No.:

0750-000 includes Nozzle Insert and Main Bolt



Halo Fogger Power Cord

Replacement

Product Item No.:

0750-110VPC 8' length, North America

0750-220VPC 8' length, International



International 220V Plug Adapter Kit

Product Item No.:

0750-220VADPK



Sanosil Power Module

Power source and system logic for Halo Defensor™ system components

Product Item No.:

20PMOD12-110 110V Version - North America

20PMOD12-220 220V Version - International (*Currently not available*)

Power Module Specifications

Dimensions (LxWxH) 4.5" x 4.5" x 2.5" (114.3 x 114.3 x 63.5 mm)

Weight Approximately 2 lbs (0.09 kg)

Sensing Range 0.5A to 4A

MAX Current through Sensor 20A limited by wire size

Sensor Frequency Range 50-60 Hz

Trip Point Adjustable (Single turn pot)

Operating Temperatures -20°C to 85°C

Operating Voltage 120VAC



Sanosil Chemical Indicator H₂O₂ Strip Tests

Used to visually confirm coverage of mist dispensed by Halo Fogger

Product Item No.:

H2O2STPS-50 Container, x50 strip tests



For more information, please contact



HYGIENIC SOLUTIONS US

800-222-7771

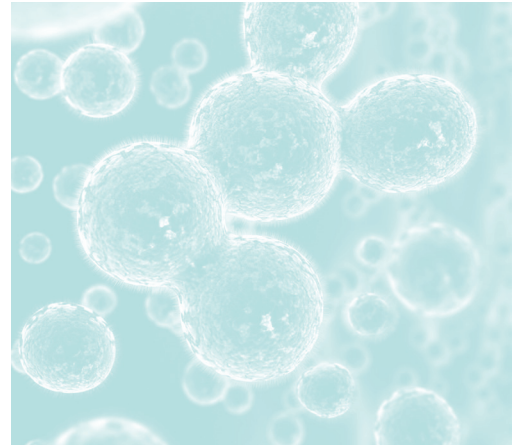
Fast Facts about Sanosil S010 Disinfectant and the Halo™ Fogger



HFB596EN_A 07/12

What makes Sanosil S010 different from other hydrogen peroxide disinfectants?

- Sanosil is a patented, ready-to-use, 5% hydrogen peroxide, 0.01% silver formula - the *only* EPA registered disinfectant with this formulation.
- Hydrogen peroxide is the oxidizing agent and the silver adds a broad-spectrum anti-microbial element to this unique formula.
- A complex blending process stabilizes the H₂O₂ while amplifying the anti-microbial action ten-fold delivering a formula that behaves completely different than its original ingredients.
- The result is a radical fluid architecture, a multi-faceted killing mechanism against pathogens with an extended storage life of greater than 1-year.



S010 DISINFECTANT



- Patented hydrogen peroxide/silver disinfectant formula
- EPA registered disinfectant (EPA Reg. No. 84526-1)
- Effective - 99.99% killing of bacteria, viruses and fungi found on pre-cleaned, non-porous, non-food surfaces.
- Ready-to-use formula, no mixing.
- No rinse. No wipe. Reduces cross-contamination associated with using a rag, wipe or sponge.
- Exceptional storage stability of greater than 1-year.

HALO FOGGER



- Dispenses atomized dry mist of S010 disinfectant, reaching surfaces regular cleaning and disinfecting can't.
- Greater coverage for a more thorough and effective disinfecting.
- Operates automatically: just fill, set time, press start and leave room.
- Costs less to purchase and operate than other systems or technologies.
- No distance, directional or line-of-sight issues associated with other technologies.
- Compact and portable unit handles and stores easily.

Helpful Definitions:

Preclean: Clean surfaces *prior* to applying S010 disinfectant. Remove all debris, dirt, grime and residue from surfaces.

Adjunct Claim: Applies to the *fogging* of S010 only - Apply S010 *following* manual cleaning and disinfecting of surfaces.

Environmentally-preferable: No hazardous by-products; Sanosil S010 safely decomposes into oxygen and water.

Non-porous: Nonabsorbent surfaces including linens, fabrics, etc.

For more information,
please contact



800-222-7771



Description

Sanosil S010 is an EPA registered oxidizing disinfectant for use on pre-cleaned, hard non-porous, non-food contact surfaces. Sanosil is a patented, synergistic formulation of hydrogen peroxide and silver, effective in killing 99.99% of bacteria, viruses and fungi found on pre-cleaned surfaces.

Efficacy Summary

Bactericidal Sanitizer 5 minute contact time

- *Enterobacter aerogenes* (ATCC 13048)
- *Salmonella enterica* (ATCC 10708)
- *Staphylococcus aureus* (ATCC 6538)
- *Staphylococcus aureus MRSA* (ATCC 33592)

Fungicidal

10 minute contact time

- *Trichophyton mentagrophytes* (ATCC 9533)

Bactericidal AOAC Spray 10 minute contact time

- *Enterobacter aerogenes* (ATCC 13048)
- *Escherichia coli* (ATCC 11229)
- *Pseudomonas aeruginosa* (ATCC 15442)
- *Salmonella enterica* (ATCC 10708)
- *Staphylococcus aureus* (ATCC 6538)
- *Staphylococcus aureus MRSA* (ATCC 33592)

Viricidal

10 minute contact time

- *Human Immunodeficiency Virus type 1* (HIV-1) (Strain HTLV IIIB)
- *Avian Influenza A* (H5N1) virus (flu virus) (Strain VN5N1)
- *Influenza A virus Hong Kong* (flu virus) (ATCCVR-544)
- *Swine Influenza A* (H1N1) (ATCC VR-333)
- *Rhinovirus type 37* (ATCC VR-1147)

All claims backed by 3rd party validation.

Toxicity Summary

Acute Oral Toxicity: LD50>5000 mg/kg in female rats

Acute Dermal Toxicity: LC50>5000 mg/kg in male and female rats

Acute Inhalation Toxicity: LC50 >2.08mg/L in male and female rats

Acute Eye Irritation: Moderate eye irritant

Acute Dermal Irritation: Slight skin irritant

Skin Sensitization: Not a contact sensitizer

Technical Data

| Property | Units |
|---------------------------|--------|
| Organic Solvents | 0% |
| Active Ingredients | |
| Hydrogen Peroxide | 5% |
| Silver | .01% |
| Other Ingredients | 94.99% |
| pH | 5 |
| Specific Gravity | 1.019 |

1 year storage stability

S010 Advantages over other disinfectants

- EPA Registered (EPA No. 84526-1)
- Safe - decomposes into water and oxygen
- Simple - no rinse or wipe formula
- Kills 99.99% of viruses, bacteria and fungi
- Odorless and colorless
- Can be sprayed or fogged
- No known bacterial resistance
- Prevents the growth and re-occurrence of mold

Halo Fogger Technical Data on opposite side

For more information,
please contact



800-222-7771

Sanosil AUTHORIZED RESELLER
Surface Disinfection Products

Description

The Sanosil Halo Fogger is an amazing new delivery technology designed to supplement infection prevention measures, like manual cleaning, with unique and powerful room surface disinfection.

At the push of a button, the Halo dispenses a dry mist of atomized Sanosil S010 into the air. The droplets fill the room and are drawn into every nook, crevice and corner, reaching surfaces that regular cleaning and disinfecting can't. The Halo assures a homogenous distribution of disinfectant on all surfaces in the room, reducing the risk of cross-contamination of infectious diseases associated with using a rag, wipe or sponge.



Application Data

% Kill / Inactivation

- | | |
|--|---------|
| • <i>Pseudomonas aeruginosa</i> (ATCC 15442) | >99.99 |
| • <i>Staphylococcus aureus</i> MRSA (ATCC 33592) | >99.99 |
| • <i>Rhinovirus Type 37</i> (ATCC VR-1147) | >99.9 |
| • <i>Influenza A (H1N1)</i> (ATCC VR-333) | >99.999 |

Non GLP tests. All results backed by 3rd party validation.
Testing based on 20 minute fogging of 1,800 cu ft room with 90 min settling time.

Specifications:

- Unit size: 13.25" wide x 18.5" deep x 40" tall
- Unit weight: 50 lbs - dry
- Plugs into any standard 110V wall outlet
- On-board reservoir holds up to two gallons of Sanosil disinfectant, enough to treat up to 10,000 cubic feet (1,000 square feet with 10' ceilings)

Advantages:

- The Halo reaches surfaces that regular cleaning and disinfecting can't
- The Halo reduces the risk of cross-contamination associated with using a rag, wipe or sponge
- The Halo is ideal for use in heavily used, large public areas
- The Halo operates automatically to reduce labor and exposure; just fill, set time, press start and leave the room
- Rooms can be reoccupied in as quickly as 110 minutes after treatment*

*To ensure occupational health hazard levels are not exceeded, 110 minute re-entry time is for a room size of 1,800 ft³ (50 m³) or smaller. Larger rooms require longer re-entry wait times.



Sanosil S010 Technical Data on opposite side

For more information,
please contact



A Walk Around Tour of the Sanosil Halo Fogger



HFBS24ENA_D

Become familiar with the parts and features of the Sanosil Halo.



For more information, please contact



HYGIENIC SOLUTIONS US

800-222-7771

Sanosil AUTHORIZED RESELLER
Surface Disinfection Products

HUMAN IMMUNODEFICIENCY VIRUS TYPE 1 (HIV-1) INFLUENZA A VIRUS HONG KONG (FLU VIRUS) AVIAN INFLUENZA A (H5N1) VIRUS (FLU VIRUS) RHINOVIRUS
Reduce the risk of potential exposure to infectious diseases from germs traditional cleaning methods leave behind with a new adjunct surface disinfection method that saves time and labor.

Unique and Powerful Supplemental Surface Disinfection with the **Halo™ Fogger** from Sanosil

For more information,
please contact



HYGIENIC
SOLUTIONS US

800-222-7771



AUTHORIZED RESELLER
Surface Disinfection Products


Sanosil®



HALO™ FOGGER

For Powerful Supplemental Surface Disinfection



HFB528EN_D

How the Halo Works:

Step 1: Fill

Fill reservoir with Sanosil S010 Disinfectant.

Step 2: Set Time

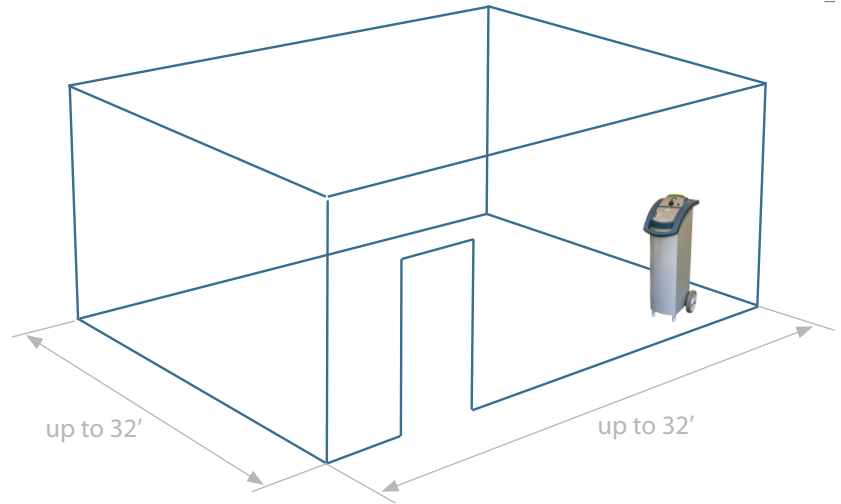
Turn Timer Dial to the established fogging time.

Step 3: Press START

Press START to begin the disinfecting process.

Step 4: Leave room

Leave room. That's it!



The Sanosil Halo Fogger is an amazing new delivery technology designed to supplement infection prevention measures, like manual cleaning, with unique and powerful surface disinfection.

At the push of a button, the Halo dispenses a dry mist of atomized Sanosil S010 into the air. The droplets fill the room and are drawn into every nook, crevice and corner, reaching surfaces that regular cleaning and disinfecting can't. The Halo assures a homogenous distribution of disinfectant on all surfaces in the room, reducing the risk of cross-contamination of infectious diseases associated with using a rag, wipe or sponge.

Use the Halo in Daycare Facilities, Gyms and Fitness Centers, Assisted Care Facilities, Workplaces, Schools & Universities, Hospitals; *anywhere* there is a potential for being exposed to germs that can cause illness.

Advantages:

- Reduces the risk of cross-contamination associated with using a rag, wipe or sponge
- **Costs less than \$4.00 to treat 1,000 cubic feet**
- Treat up to 10,000 cubic feet at a time with one unit
- Kills 99.99% of bacteria, viruses, mold and fungi found on surfaces *including MRSA, H1N1, Rhinovirus*
- Easy-to-use: just fill, set time, press start and leave the room
- Sanosil S010 Disinfectant is EPA registered, odorless, colorless
- Protect yourself and your employees beyond a flu shot, all year long
- Promote your business to be "SANO•SEALED" to attract and retain customers

Halo Fogger Specifications:

- Unit size: 13.25" wide x 18.5" deep x 40" tall
- Unit weight: 50 lbs - dry
- Plugs into any standard 110V wall outlet
- On-board reservoir holds up to two gallons of Sanosil disinfectant, enough to treat up to 10,000 cubic feet (1,000 square feet with 10' ceilings)



WHAT THIS SYMBOL MEANS FOR YOU.

The bold SANO•SEALED mark tells everyone that you're using Sanosil S010 Disinfectant and Sanosil's Halo Fogger, an amazing new delivery technology designed to supplement infection prevention measures, like manual cleaning, with powerful surface disinfecting. Together, they work to eliminate the threat you can't see and reduce *your* exposure to infections.

Fogging Sanosil S010 Disinfectant

Material Compatibility Study Recommendations



HFD598EN_A 07/12

Material

Aluminium 5251/H22 sheet
 Aluminium Alloy Niploy Coated
 Aluminium Bronze
 Anodized Aluminium 30 microns
 Brass sheet
 Copper sheet
 Mild steel
 Stainless steel
 Brushed painted mild steel
 Epoxy painted mild steel
 Galvanized steel
 Polyester powder coated aluminium
 Stove enamel painted mild steel
 ABS Plastic
 Acrovyn
 Glass Reinforced Plastic (GRP)
 Machinable Nylube PBC
 Neoprene
 Perspex
 Polypropylene
 Polythene
 PTFE
 PVC
 PVC Foam
 Silicone rubber seal
 Torlon
 Viton

Compatibility

| Compatibility | Comments |
|---------------|---|
| Excellent | possible slight surface oxidation/discoloration |
| Excellent | |
| Excellent | |
| Excellent | |
| Excellent | possible slight surface discoloration |
| Caution | potential for severe surface change |
| Caution | potential for surface rust and pitting |
| Excellent | possible slight surface discoloration |
| Caution | potential for blistering of painted surface |
| Excellent | |
| Excellent | |
| Excellent | |
| Excellent | possible slight surface discoloration |
| Excellent | |
| Excellent | |
| Excellent | possible gas absorbtion in glass fiber side |
| Fair | potential for surface texturing and discoloration |
| Excellent | possible slight surface powdering |
| Excellent | |
| Excellent | |
| Excellent | |
| Excellent | |
| Excellent | possible outgassing |
| Excellent | |
| Excellent | |
| Excellent | |

Other items / assemblies

Desmopan timing drive belt
 Door-closer
 Ceramic tiles
 Computer system with monitor
 Linear bearing
 Rubber floor tiles
 Window frame (double glazed)

| | |
|-----------|--|
| Excellent | possible slight surface discoloration |
| Excellent | possible surface discoloration of components |
| Excellent | |
| Excellent | |
| Excellent | |
| Excellent | |
| Excellent | |
| Excellent | |

For more information,
 please contact



HYGIENIC
 SOLUTIONS US

800-222-7771



AUTHORIZED RESELLER
 Surface Disinfection Products