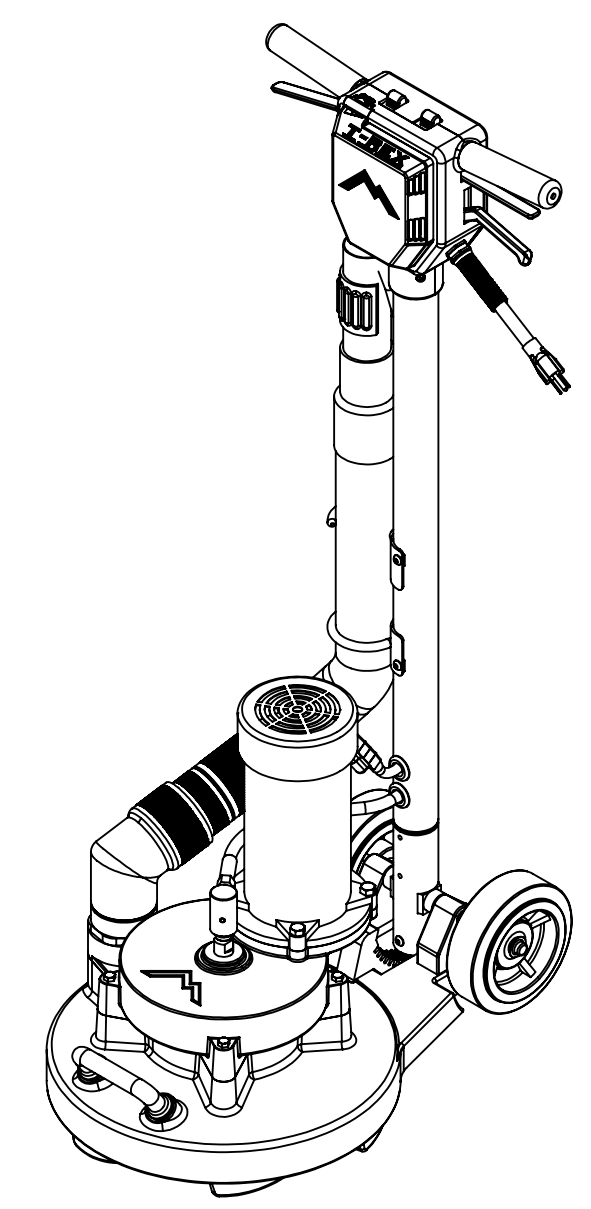


ITEM NO.	PART NO.	DESCRIPTION	QTY.	MSRP
1	H341	handle pivot, floor machine	1	\$74.99 ea
2	H089	axle, 11.44" x .50" dia	1	\$7.99 ea
3	H267	pivot support, t-rex	2	\$40.99 ea
4	H665	wheel, 6" dia, 2" width, 1/2 axle	2	\$24.99 ea
5	H219	cap, axle, 1/2"	2	\$0.99 ea
6	H702	roll pin, 1 3/4" x 1/2"	2	\$0.99 ea
7	H157	spring, handle adjustment	1	\$5.99 ea
8	H847	bushing, locking piston	1	\$17.99 ea
9	H152	retaining ring, internal 1 1/2"	1	\$0.99 ea
10	H844	locking piston, handle adj.	1	\$19.99 ea
11	H148	washer, 5/16", narrow	7	\$0.99 ea
12	H843	locking arc, handle adj, floor machine	1	\$51.99 ea
13	H421	washer, 5/16" lock, s/s	10	\$0.99 ea
14	H151	bolt, 5/16-18 x 3/4" Long SHCS	10	\$0.99 ea
15	H705	bolt, guide, locking piston	1	\$0.99 ea
16	A102	assembly, cleaning head, TRex	1	\$699.99 ea
17	H126	plate, seal, head/ bell housing	1	\$5.99 ea
18	P516	bell housing and chasis, t-rex	1	\$39.99 ea
19	H768	bolt, 1/4-20 x 3/4" serrated hex flange, zinc	2	\$0.99 ea
20	H485	handle, breeze and dx	1	\$6.99 ea
21	G023	o-ring, 8.5" o.d. x 1/8" width	1	\$0.99 ea
22	A918	transmission, T-Rex	1	\$499.00 ea
23	B139	rotary union	1	\$159.99 ea
24	P517	vacuum sight tube w/ 2" fw mpt Cuff-Lynx	1	\$31.99 ea
25	H230	screw, 10-32 x 1/2" phil pan head, s/s	7	\$0.99 ea
26	H882	screw, 8 x 3/4 phil pan head, type a, s/s	2	\$0.99 ea
27	P501	cover, controller board, t-rex	1	\$15.99 ea
28	E382	pcb speed control, t-rex	1	\$165.99 ea
29	H258	switch box, T-REX	1	\$25.99 ea
30	P574	knob, clear plastic, t-rex potent	1	\$1.49 ea
31	E363	potentiometer, slide, blue led	1	\$16.69 ea
32	B101	qd, brass, 1/4" m	1	\$8.49 ea
33	AH191	hose, 43" male fittings	1	\$28.99 ea
34	B105	bushing, brass, 3/8"mpt x 1/4"	1	\$3.19 ea
35	H461	filter, mesh 5/8"	1	\$0.99 ea
36	B180	adapter, brass, 3/8" fpt x 1/4" mpt	1	\$6.99 ea
37	B103	elbow, brass, 90 deg, 1/4"mpt x 1/4" fpt	2	\$4.49 ea
38	B111	adapter, brass, extender, 1/4" mpt x 1/4" fpt, hex	1	\$3.49 ea
39	B133-A	valve, brass, K, w/ trigger for wands	1	\$30.99 ea
40	AH109	sol hose, 1/4" x 44" (OAL), Bentleys	1	\$45.99 ea
41	H136	Cuff-Lynx, 2" hose x 2" male swivel Cuff-Lynx	1	\$3.99 ea
42	C311	motor, dc, 1/2hp	1	\$369.99 ea
43	H061	2' vac hose x 22"	1	\$4.99/ft
44	H302	cuff, hose, 2" x 2.5", swivel, grey	1	\$12.99 ea
45	H063	sleeve, 2" dia x 7" w/ 1.25" hole, s/s	1	\$9.99 ea
46	G082A	sleeve, vac relief, 2", spin	1	\$1.99 ea
47	H054	bolt, 2/8-16 x 1-1/4", hex head	4	\$3.99 ea
48	H169	bolt, 1/4-20 x 2", hex head	4	\$3.99 ea
49	H215	nut, hex, 1/4-20 s/s	1	\$0.99 ea
50	H164	grommet, floor machine, 5/8" ID	2	\$1.99 ea
51	E350	power cord, female pigtail, 37", 16/3	1	\$11.49 ea
52	H047	screw, 1/4-20 x 1/2", button, s/s, blk oxide	6	\$0.99 ea
53	H247	sleeve/ hose restraint, T-REX	2	\$55.99 ea
54	H159A	cable, handle adj, floor machine	1	\$6.99 ea
55	H216	nut, lock, 1/4-20, nylon insert, s/s	1	\$0.99 ea

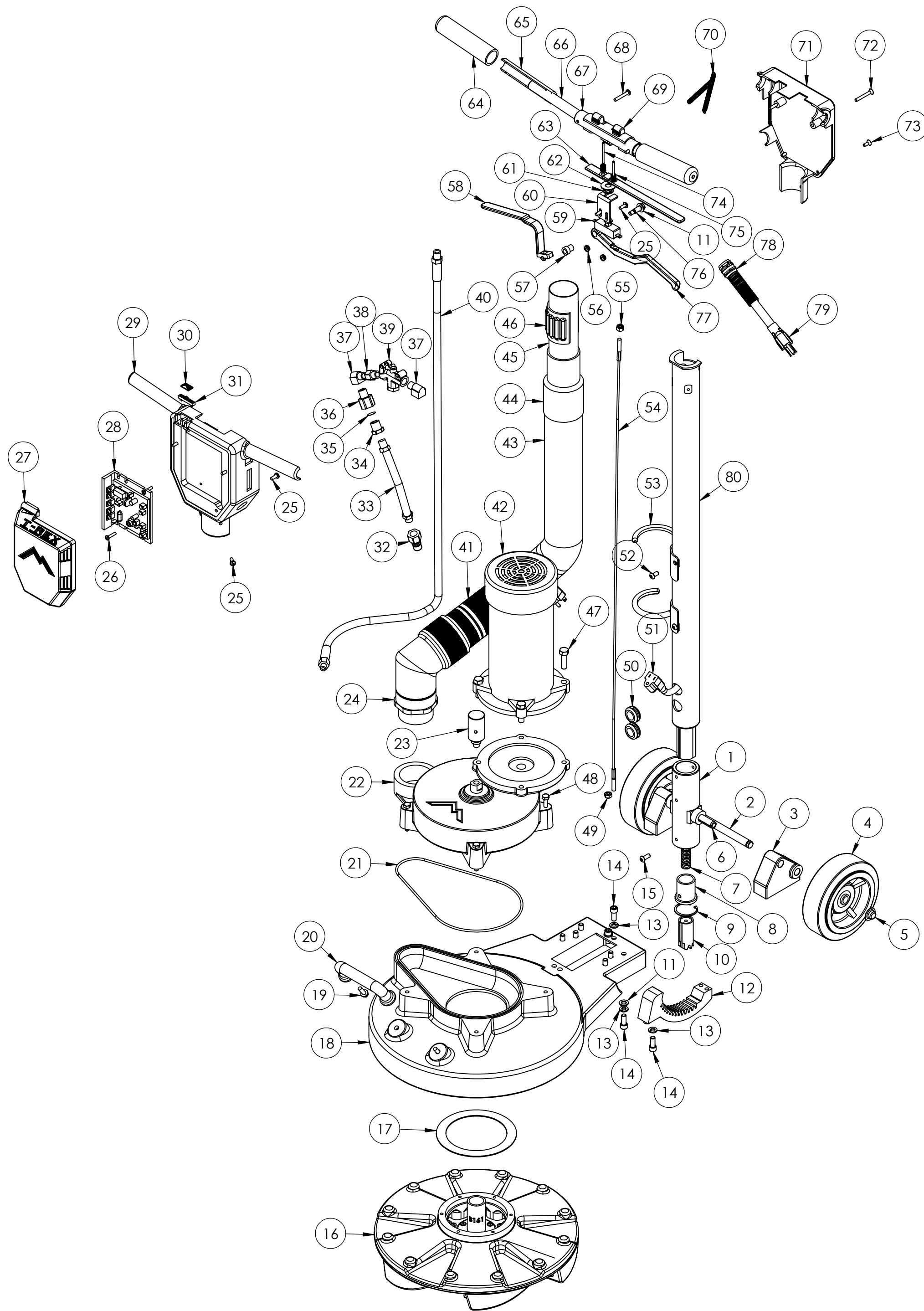
ITEM NO.	PART NO.	DESCRIPTION	QTY.	MSRP
56	H458	nut, lock, 10-32, thin pattern	2	
57	P529	spacer, lever, handle adj.	1	\$1.99 ea
58	H257	lever, solution, T-REX	1	\$9.99 ea
59	H167	switch, floor machine	1	\$13.99 ea
60	H127	bracket, mount, switch	1	\$0.99 ea
61	H640	washer, internal star, 3/8" zinc	1	\$0.99 ea
62	H384	washer, 3/8 flat, s/s	1	\$0.99 ea
63	H263	lever, switch, T-REX	1	\$15.99 ea
64	G040	grip, handle, floor machine	2	\$1.99 ea
65	P522	handle, back half, T-REX	2	\$0.99 ea
66	H261-B	handle, reinforcement, side, T-Rex	2	\$10.00 ea
67	H261-A	handle, reinforcement, center, T-Rex	1	\$14.99 ea
68	H222	screw, 10-32 x 1-1/4" phil pan head, s/s	2	\$0.99 ea
69	P541	lockout, floor machine	1	\$1.99 ea
70	H168	spring, lockout, floor machine	2	\$1.99 ea
71	H260	cover, switch box, T-REX	1	\$19.99 ea
72	H017	screw, 10-32 x 1.5", FHSCS, s/s	2	\$0.99 ea
73	H018	screw, 10-32 x 1/2", FHSCS, s/s	3	\$0.99 ea
74	H161	roll pin, 1 3/4" x 1/8"	2	\$0.99 ea
75	H160	spring, switch/lever	2	\$0.99 ea
76	H149	bolt, 5/16" shldr x 5/8" w/ 1/4-20 thrd	1	\$0.99 ea
77	H839	lever, handle adj., floor machine	1	\$7.99 ea
78	H144	strain relief, power cord, floor machine	1	\$6.99 ea
79	E384	pigtail, 11", black, heavy jacket	1	\$11.99 ea
80	H249	tube, T-REX	1	\$99.99 ea

ITEMS NOT SHOWN

PART NO.	DESCRIPTION	QTY.	MSRP
ADM-TREX	manual, TRex	1	N/A
G014	seal, felt, 1/2" thick	2	\$10.99 ea
G023	o-ring, 8.5" OD x 1/8"	1	\$0.99 ea
G027	o-ring, 1.75" OD x 1/8"	2	\$0.99 ea
G037	o-ring, 13.45" ID x 1/8"	1	\$7.99 ea
H051	wrench, flat, 5/8"	1	\$3.99 ea
H052	wrench, allen, 5/32"	1	\$2.99 ea
H053	tool, star removal	1	\$10.99 ea
H461	filter, mesh, 5/8"	5	\$0.99 ea
E617A	25' extension cord, 16/3, black	1	\$36.99 ea
P576	star protector	1	\$24.99 ea
P568A	cord lock, S-type	1	\$8.99 ea



NAME	DATE	MYTEE PRODUCTS, INC. 858-679-1191	
DRAWN V. LaBarbera	9/2012	TITLE:	
CHECKED		T-REX 2	
<small>PROPRIETARY AND CONFIDENTIAL</small> <small>THE INFORMATION CONTAINED IN THIS DRAWING IS THE SOLE PROPERTY OF <INSERT COMPANY NAME HERE>. ANY REPRODUCTION IN PART OR AS A WHOLE WITHOUT THE WRITTEN PERMISSION OF <INSERT COMPANY NAME HERE> IS PROHIBITED.</small>		SIZE	REV
		C	OD
SCALE: 1:24		DO NOT SCALE DRAWING	SHEET 1 OF 2



	NAME	DATE	MYTEE PRODUCTS, INC.	
DRAWN	V. LaBarberga	9/2012	858-679-1191	
CHECKED			TITLE:	
COMMENTS:			T-REX 2	
PROPRIETARY AND CONFIDENTIAL			SIZE	DWG. NO.
THE INFORMATION CONTAINED IN THIS DRAWING IS THE SOLE PROPERTY OF MYTEE PRODUCTS, INC. ANY REPRODUCTION IN PART OR AS A WHOLE WITHOUT THE WRITTEN PERMISSION OF MYTEE PRODUCTS, INC. IS PROHIBITED.			C	T-Rex 2
			SCALE: 1:24	REV OD
			DO NOT SCALE DRAWING	SHEET 2 OF 2