



CIMEX-USA

210 Southwest Ave. Tallmadge, Ohio 44278

sales@cimex-usa.com www.cimex-usa.com

Parts & Service - Fax # 330-630-4030 1-866-284-3255



Cyclone - CR38, CRS38, CR48, CR61, CR76

Scrubber/Polisher Floor Cleaning Machines

User Instructions / Parts Manual

CAUTION - READ THESE INSTRUCTIONS BEFORE USING THE MACHINE

<u>User Instructions</u>	<u>Page</u>
1 Product Information.....	3
2 Preparing for use.....	3
3 Controls.....	4
4 Operation.....	4
5 Storage.....	5
6 Maintenance.....	5
7 After sales service.....	5
8 Technical specification.....	6
9 Accessories.....	6
10 Fault diagnosis.....	7
11 Guarantee.....	7

Parts Manual

Electrical Diagram.....	8
CR Range Handle Assembly Drawing.....	9
CR 38 Motor & Shield Assembly Drawing.....	10
CR 38 EDU Assembly Drawing.....	11
CR 48 Motor & Shield Assembly Drawing.....	12
CR 48 & CR 61 EDU Assembly Drawing.....	13
CR 61 Motor & Shield Assembly.....	14
CR38, CRS38, CR48, CR61, CR76 Parts Breakdown.....	15-18
Chart for Part #98 & 107.....	19

IMPORTANT

READ THESE INSTRUCTIONS CAREFULLY

1 Product information

These commercial three brush floor cleaning machines have been sold for many years into the most demanding of cleaning operations. Their inherent stability combined with an intense cleaning action make these machines specially suited to the following applications in hotels, schools, hospitals, factories, retail shops and supermarkets, leisure centers and offices.

- Carpet shampooing
- Heavy duty scrubbing
- Stripping hard floor seals
- Polishing vinyl and rubber studded flooring

Cyclone machines incorporate the very latest in triple head counter-rotating planetary technology, designed to maximize cleaning performance and minimize operator fatigue. The incorporation of modern manufacturing processes ensures years of trouble free service.

The following instructions contain important information about the machines and safety advice for the operator.

Equipment must be operated, serviced and maintained in accordance with the manufacturer's instructions.

If in doubt contact the supplier of your machine.

1.1 Important Safety Advice

When using electrical equipment basic safety precautions should be followed including the following.

- Read all instructions carefully before use.
- Keep children and unauthorized persons away from the machine when in use.
- **Do not** leave the machine connected to the electricity supply when not in use, always remove the plug from the plug-outlet.
- Turn off the machine before removing the plug.
- When unplugging pull the plug, not the supply cord.
- **Do not** allow rotating brushes to come into contact with the supply cord.
- **Do not** operate the machine with a damaged supply cord or plug, or after the machine malfunctions or is damaged in any way. Contact an authorized Service Agent for repair or adjustment.
- The plug of the power supply cord must be removed from the plug-outlet before commencing cleaning of the machine or undertaking maintenance operations.
- The power supply cord is to be regularly inspected for signs of damage. If damage is found, replace the cord before further use.
- **Do not** use where hazardous dust is present.
- **Do not** use in an explosive atmosphere.
- Take care when using a machine near the top of stairs to avoid overbalancing.

1.2 Guidelines for the operator

- Operators must be fully trained in the use of the machine in accordance with these instructions, able to perform user maintenance and the correct selection of accessories, i.e. brushes and pads etc.
- Operators should be physically capable to manoeuvre, transport and operate the machines.
- Operators should be able to recognize unusual operation of the machine and report any problems.
- Keep hands and feet clear of rotating brushes.
- Wear suitable footwear to avoid slipping.
- Wear suitable clothing to keep dry and warm.
- Where possible implement job rotation and adequate rest periods to avoid fatigue.
- **Do not** smoke when using the machine.
- **CAUTION** - This machine is for dry indoor use only and should not be used or stored outdoors in wet conditions.

1.3 Transporting the machine

CAUTION - THIS MACHINE IS HEAVY
Do not attempt to lift the machine without assistance. Incorrect lifting techniques may result in personal injury. We recommend two people lift the machine using the front and rear handles.

CAUTION - When lifting the machine the brush head is free to tip backwards, ensure fingers are kept well clear of the side arms of the chassis.

When moving the machine the handle should be locked and the machine tilted back on its wheels.

2 Preparing for use

2.1 Electrical connection

Before connecting the machine to the power supply, check that your supply voltage corresponds with that marked on the rating label on the handle of the machine.

IMPORTANT - If the supply cord is damaged, it must only be replaced by a special cord available from the manufacturer or an authorized service agent. Should an extension cord be used, ensure that it is adequate for the equipment. Do not use extension cord in coiled condition as this could result in overheating of the cord.

WARNING - THIS MACHINE MUST BE GROUNDED

2.2 Fitting brushes and pads

WARNING - This machine has been designed for use with the brushes specified by the manufacturer. The use of other brushes may impair safety.

Always ensure machine is unplugged before fitting or removing parts.

- Tip the machine brush head backwards towards the handle, and push 3 brushes of the same type, or drive discs and pads, onto the four drive pins on each of the rotating heads.
- Return brush head to the floor.
- Remove brushes by simply pulling them off the drive pins.
- **IMPORTANT** - Never allow the brush head to rest on the drive pins, always tip brush head back when not in use.
- Brush life is prolonged and the quality of cleaning improved by periodically changing the direction of rotation.
- **WARNING** - TURN OFF machine before changing direction of brush rotation.
- Always keep brushes and pads in sets of three, to ensure even wear prevent vibration.

2.3 Adjusting the handle height

Select the most comfortable handle height using the adjustment lever as previously described (see **Controls**) and lock in position.

2.4 Filling the solution tank

- Fill the solution tank with clean water using a bucket or hose, and an appropriate measure of detergent.
- **IMPORTANT** - Use only cleaning agents suitable for automatic machines i.e. low foaming, and follow the chemical manufacturer's directions regarding use, handling, disposal and health and safety provisions.
- The tank capacity is 25 litres. Do not overfill the tank as spillage may occur when in use.

3 Controls

The operating controls for all models are located on the handle.

- 1 - **Motor switch lever**
Used to switch motor ON and OFF. Reverses the direction of brush rotation from previous ON use. Brush life is prolonged and the quality of cleaning improved by changing the direction of rotation.
- 2 - **Solution feed lever**
Operates flow valve in solution tank (if fitted).
 - Pull lever to release solution.
 - Release lever to stop flow.
- 3 - **Handle adjustment lever**
Used to adjust handle to comfortable working height.
- 4 - **Solution pump switch** (CR48/SPR only)
Operates pump to spray solution onto floor ahead of machine.
- 5 - **Drive plates**
Attachment point for brushes or drive discs and pads.

6 - Cable hooks

Used to hold supply cord in place on handle when machine is not in use.

4 Operation

4.1 Starting the machine

- Fully unwind the supply cord from the handle and plug in to a convenient outlet.
- With the handle set at a convenient working height and with both hands on the handle squeeze the motor switch lever to start the machine.
- To stop the machine release the switch lever.
- **WARNING** - Never start the machine without brushes or pads fitted.
- Normal movement of the machine is in a forward and backward direction.

4.2 Scrubbing and stripping

- Fit brushes or drive discs and pads suitable for the surface to be cleaned.
- Fill the solution tank with clean water and an appropriate measure of detergent.
- Before starting the machine release a liberal amount of cleaning solution from the tank to the floor. The flow of solution from the tank is controlled by lifting the left hand lever. Releasing the lever stops the flow.
- Proceed to operate the machine in the normal manner, releasing more cleaning solution from time to time as required.
- Dirty water should not be allowed to accumulate on the floor, it should be removed to prevent dirt from settling. We suggest using a **Wet & Dry vacuum** for this purpose.
- When scrubbing/stripping is complete, unplug the machine from the power supply, empty the solution tank and clean and dry the machine.
- **IMPORTANT** - Dispose of unused cleaning solution in accordance with the manufacturer's directions.

4.3 Polishing and buffing

- Fit drive discs and pads suitable for the surface to be polished.
- Ensure the floor is clean and dry.
- Walk slowly behind the machine, overlapping each pass to ensure an even finish.
- **Do not** keep the machine rotating on one spot for more than 10-15 seconds, as this could cause overheating and damage the floor surface.
- Should the machine start to vibrate, or resist the buffing action on the floor, check the cleanliness of the pads. When dirty on one side the pad may be reversed.

4.4 Carpet shampooing

- Model CR38 (620 rpm) is not suitable for use on carpets.
- Fit shampoo brushes.
- Fill the solution tank with clean water and an appropriate measure of shampoo solution.
- **CAUTION** - Before shampooing, test a small area of carpet with the shampoo solution to ensure it is color-fast.

6 Maintenance

WARNING - Before undertaking maintenance operations or adjustments switch off machine and unplug from the electricity supply.

The machine requires minimum maintenance apart from the following checks by a trained operator.

- **Supply cord** - Regularly inspect sheath, plug and cord anchorage for damage or loose connection. Only replace the supply cord with the type specified in these instructions.
- **Solution Tank** - Check water flow, if restricted inspect hoses and tubes for blockage or kinks. Dismantle control valve to clean if necessary.
- **Brushes and Pads** - Inspect for wear and replace worn brushes. Clean under running water.

7 After sales service

Should you require after sales service please contact the supplier from whom you purchased the machine, who will arrange service. Repairs and servicing of Cimex-USA products should only be performed by trained staff. Improper repairs can cause considerable dangers to the user.

- With the machine running, apply solution to the carpet until a stable foam is obtained, and work this steadily into the carpet. Do not overwet the carpet.
- Prevent people from walking on the carpet until the foam has evaporated.
- The dirt absorbed by the foam will form into crystals which can then be removed by vacuuming.
- Vacuum the carpet again 24 hours later, this will prevent dirt being returned to the carpet.

4.5 Bonnet mopping (CR48SPR only)

- Fill the solution tank with warm water and add an appropriate measure of Bonnet Spray cleaner.
- Raise the brush head and fit a brush and two drive discs on to the drive pins of the rotating heads.
- Fit bonnets on to the drive discs, and return brush head to the floor.
- Switch on machine and spray pump. **Note** - Pump switch has two positions, momentary spray and continuous spray.
- Move machine forward and spray carpet with a light spray, **do not soak the carpet.**
- **IMPORTANT** - The solution feed lever on the handle should not be operated when spray cleaning carpet.
- Check the bonnets regularly and change when dirty.

4.6 When cleaning is finished

- When cleaning is finished, unplug the machine from the power supply, raise the brush head and remove brushes or pads, and wipe over the machine with a damp cloth.
- Wash brushes and pads in warm soapy water, rinse and allow to dry naturally.
- Empty the solution tank (if fitted), by pulling feed hose off brush head and direct over a suitable drain.
- **IMPORTANT** - Dispose of unused cleaning solution in accordance with the manufacturer's directions.
- Flush out solution tank with clean water.

5 Storage

After use always wipe down and dry the machine, and remove and clean the brushes or pads. Clean the rotating dust cover (A) and check the condition of the brush seals (B). The seals should be cleaned periodically to maintain their effectiveness.

The solution tank should be emptied and flushed out with clean water.

The machine should normally be stored with the handle in the raised position, with the brush head tipped back **Never leave the brush head resting on the drive pins.**

Wrap supply cord around the handlebar and cable winder ensuring that the plug is not trailing on the floor.

Store the machine in a dry indoor area only.

8 Technical specification

Machine is of Class I construction. Enclosure to IPX4. Supply cord and plug 15 metres.
 Models - 110 & 230V~ 60 Hz. fitted with supply cord type H05VV-F 3 x 1.0mm² (10A).
 Model - CR61 & CR76 @ 110V~ 60 Hz. fitted with supply cord type H05VV-F 3 x 1.5mm² (16A).

Model		CR38	CRS38	CR48	CR61	CR76
Motor rating	W	370	370	550	1100	1100
Pad/brush speed	rpm	620	400	400	400	300
Working width	In	15	15	19	24	30
Pad/brush diameter	In	65	65	8	10	12
Pad pressure	gm/cm ²	45	45	38	30	28
Solution tank capacity	Ltr	25	25	25	25	25
Motor height – clearance	In	16.5	16.5	18	19	22
Handle height	In	112	112	112	112	112
Weight	lb	84	84	104	132	174
Length	In	29	29	32	47	50
Width	In	16	16	20	25	31
Sound pressure level (see note 1)	dB(A)	60	60	60	65	65
Handle vibration (see note 2)	m/s ²	< 2.5	< 2.5	< 2.5	< 2.5	< 2.5
Theoretical coverage - Scrubbing	Sq ft	1140	•	12,285	19,710	24,570
Polishing		1710	•	23,265	29,520	36,810
Spray		850	•	11,610	14,760	18,405
Shampooing		•	1140	1440	1830	2280

- 1 - Sound pressure levels measured at a distance of 1 metre from machine and 1.6 metres above floor, when scrubbing a hard floor. Measurements recorded using a hand held meter.
- 2 - Handle vibration does not exceed 2,5 m/s², when operating on any surface with brush or pads. Measurements recorded by an independent test laboratory.

9 Accessories

Brushes	Application	Part No. CR38	Part No. CR48	Part No. CR61	Part No. CR76
Fiber	General purpose scrubbing	3800	4800	6100	7600
Polypropylene	Light scrubbing	•	4803	6103	•
Polypropylene	Medium duty scrubbing	3804	4804	6104	7604
Nylon	Standard duty scrubbing	3805	4805	6105	7605
Yellow Poly Bronze	Heavy duty scrubbing	•	4813	6113	7613
Tynex*	Extra heavy duty scrubbing	3816	4816	6116	7616
Shampoo	Light cleaning and carpets	3807	4807	6107	7607
Instalok drive disc	Using cleaning pads	3862	4862	6162	7662

* - Unsuitable for Vinyl, Wood or Rubber surfaces.

NOTE - Brushes are supplied in sets of 3.

IMPORTANT - Genuine accessories are only available from authorized Service Agents or Cimex-USA Customer Service Dept.

10 Fault diagnosis

The following simple checks may be performed by the operator.

Fault	Reason	Remedy
Motor not running.	Lack of voltage/electrical supply.	Check fuse *, supply cord, plug, socket outlet and circuit breaker.
Machine stalls during operation.	Damaged brushes / pads. Loose plug connection.	Replace brushes / pads. Check plug is fully inserted into mains socket.
Machine vibrates.	Damaged or dirty brushes / pads. Unequal thickness of brushes / pads.	Replace or clean brushes / pads. Replace with 3 brushes / pads of equal thickness.
Cleaning solution not flowing.	Dirt in tank, outlet blocked. Flow valve not open.	Flush out tank with clean water. Check all valves are open.

* If the fuse blows several times, the machine should be checked by an authorized Service Agent.

11 Guarantee

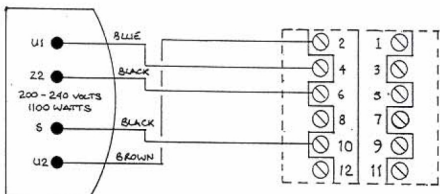
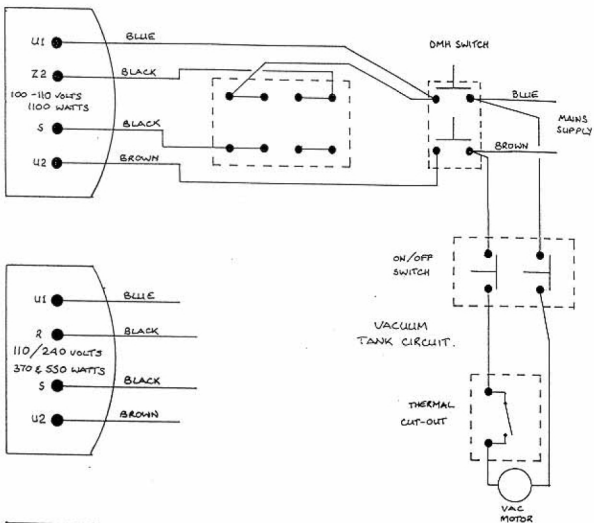
Your product is guaranteed for one year from the date of original purchase, or hire purchase, against defects in materials or workmanship during manufacture. Within the guarantee period we undertake at our discretion, to repair or replace free of charge to the purchaser, any part found to be defective, subject to the following conditions.

CONDITIONS

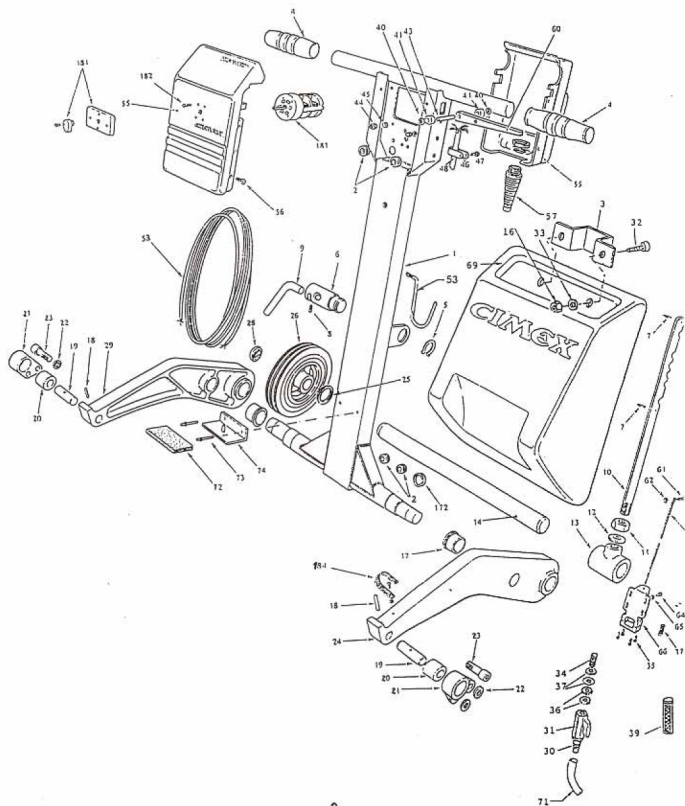
1. Claims made under the terms of the guarantee must be supported by the original invoice/bill of sale issued at the time of sale, or the machine Serial No.
2. For claims under this guarantee contact the supplier from whom you purchased the product who will arrange the appropriate action. Do not initially return the product as this could result in transit damage.
3. Neither Cimex-USA nor its distributor shall be liable for any incidental or consequential loss.
4. This guarantee is governed by the laws of Ohio.
5. This guarantee does not cover any of the following:
 - Periodic maintenance, and repair or replacement of parts due to normal wear and tear.
 - Damage caused by accident, misuse or neglect, or the fitting of other than genuine Cimex-USA parts.
 - Defects in other than genuine Cimex-USA parts, or repairs, modifications or adjustments performed by other than a Cimex-USA service engineer or authorized service agent.
 - Costs and risks of transport relating directly or indirectly to the guarantee of this product.
 - Consumable items such as, brushes, drive discs, filters and drive belts.

This guarantee does not affect your statutory rights, nor your rights against the supplier arising from their sales or purchase contract.

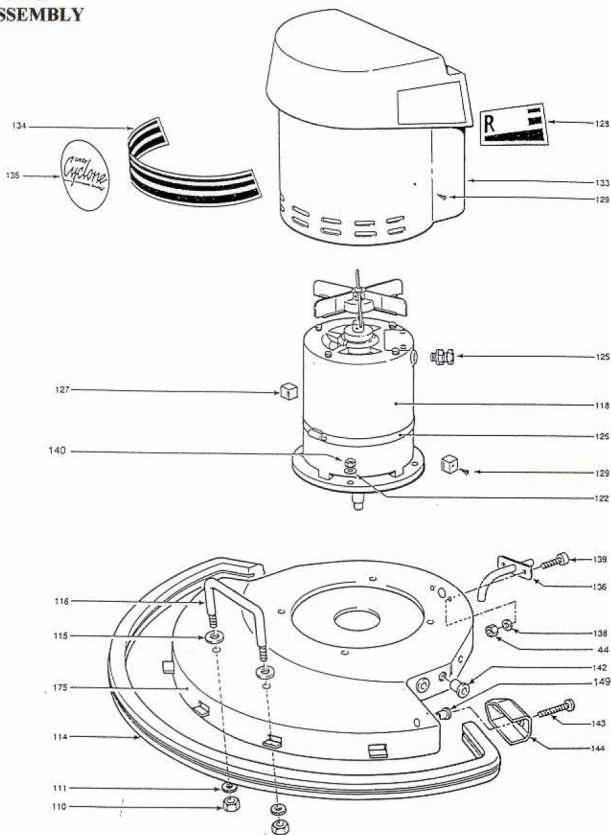
Cimex-USA has a policy of continual product development and we reserve the right to alter specifications without prior notice.



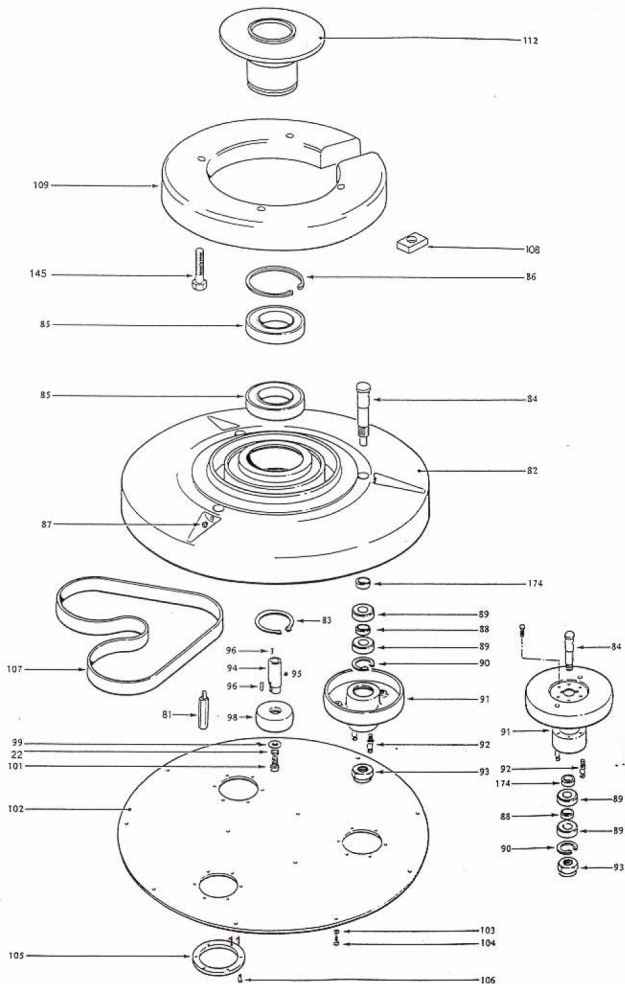
CR38, CRS38, CR48, CR61, CR76 HANDLE ASSEMBLY



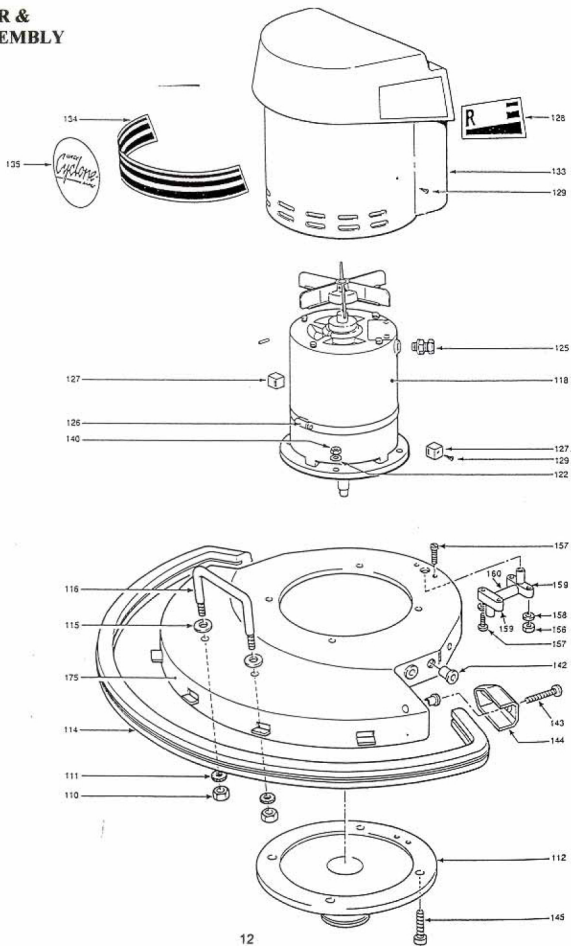
CR38 MOTOR & SHIELD ASSEMBLY



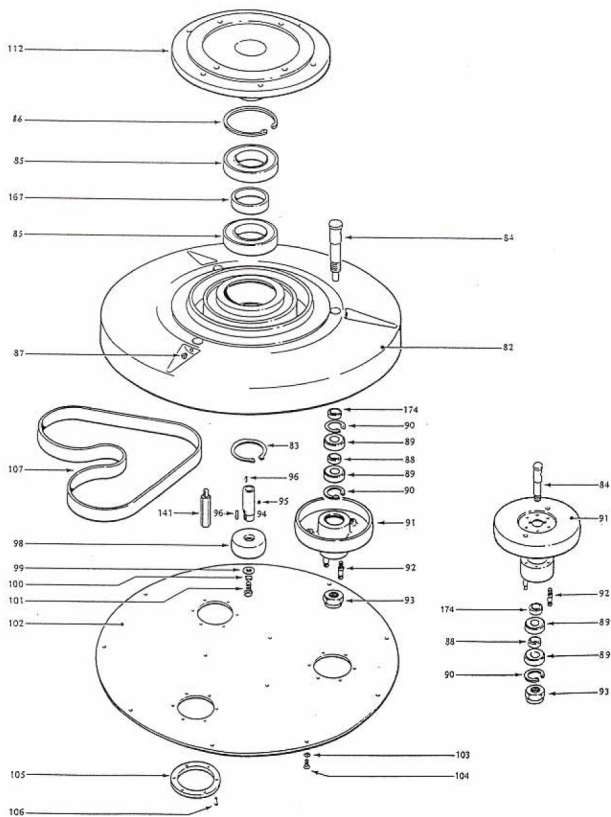
**CR38 EDU
ASSEMBLY**



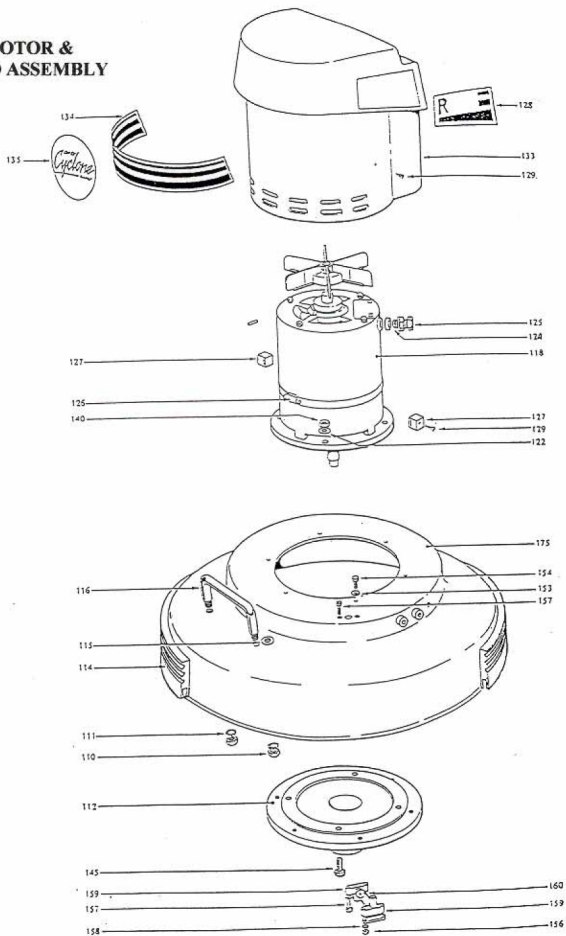
CR48 MOTOR & SHIELD ASSEMBLY



**CR48 & CR61
EDU ASSEMBLY**



CR61 MOTOR & SHIELD ASSEMBLY



CR RANGE PARTS LIST
CYCLONE - CR38, CRS38, CR48, CR61, CR76

KEY	DESCRIPTION	CIMEX PART NO.	TRUVOX PART NO.	QTY
1	Handle-38	40342	03-7700-0000	1
	Handle-48/61	40015	03-7282-0000	1
2	Grommet	40055	02-4176-0000	1
3	Tank Bracket	40082	03-7311-0000	1
4	Handle Grip	40007	02-4175-0000	2
5	Circlip-3/4" External	6010	02-3950-0000	1
6	Pivot	9749	03-6957-0000	1
7	Sellock Pin-1/8"x7/8" BZP	16186	02-4378-0000	2
8	M5x10 Socket Set Screw-BZP	9662	00-0510-0091	1
9	Locking Handle	9654	03-6953-0000	1
10	Swivel Clamp Rod	40009	03-7279-0000	1
11	M12 Locknut	9666	00-1200-0711	1
12	M12 Washer	9694	00-1200-0501	1
13	Tee Piece	40062	03-7306-0000	1
14	Axle-38	40010	03-7280-0000	1
	Axle-48/61	40065	03-7308-0000	1
16	M6 Nyloc Nut	45046	00-0600-0723	2
17	Nylon Bush	9107	03-6919-0000	2
18	Sellock Pin-1/8"x1"	16089	02-4446-0000	2
19	Pivot Pin	9728	03-7664-0000	2
20	Clayflex Bearing	9387	03-6929-0000	2
21	Pivot Bracket-R/H	9353	03-6925-0000	1
	Pivot Bracket-L/H	9354	03-6926-0000	1
22	M10 Washer	20084	00-1000-0511	5
23	M10x30 Socket Head Cap Screw-Bz	29520	00-1030-0091	4
24	Lifting Fork L/H-38	40000	03-7656-0000	1
	Lifting Fork L/H-48	40151	03-7322-0000	1
	Lifting Fork L/H-61	40004	03-7275-0000	1
25	Washer-17/8"+B617 OD x 1" ID	10166	02-4324-0000	4
26	Wheel	40006	03-7277-0000	2
28	Starlock Hub Cap	9556	03-7658-0000	2
29	Lifting Fork R/H-38	40001	03-7272-0000	1
	Lifting Fork R/H-48	40152	03-7323-0000	1
	Lifting Fork R/H-61	40005	03-7276-0000	1
30	Solution Outlet	40317	02-4212-0000	1
31	Ball Valve	40318	02-4213-0000	1
32	M6x15 Bolt S/S	40172	00-0616-0113	2
33	M6x20 Washer	28946	02-4367-0000	2
34	Valve Insert	40333	03-7661-0000	1
35	C/sunk Pozi Screw No4x5/8"	40052	02-4360-0000	4
36	1/4 BSP Locknut	8120	02-4306-0000	2
37	1/4 BSP Washer	8121	02-4307-0000	1
39	Strylon Filter	16261	03-7662-0000	1
40	Starlock Washer	18031	02-4078-0000	2
43	Pivot Pin	40058	02-4178-0000	1

KEY	DESCRIPTION	CIMEX PART NO.	TRUVOX PART NO.	QTY
45	M3 Shakeproof Washer	26748	none	2
46	P Clip	9331	02-4004-0000	2
47	M3x10 Pan Head Screw	28856	00-0310-0011	2
48	Cable-5 Core	13415	04-3548-0000	2.2m
53	Cable Hook	9741	03-7660-0000	1
55	Switch Enclosure	40047	03-7300-0000	1
56	M5x16 Cheese Head Screw S/S	21270	00-0516-0013	6
57	Cable Restraint	40110	02-4186-0000	1
58	Mains Cable-115v 14AWG	13441	04-3549-0000	15m
60	Water Valve Lever	40050	03-7301-0000	1
61	M5x20 Screw	21283	00-0520-0011	1
62	M5 Nyloc Nut	21876	00-0520-0077	1
63	Water Valve Operating Rod	40053	03-7303-0000	1
64	M4x8 Pozi Pan Head Screw	26065	00-0408-0013	4
65	M4 Washer	26078	00-0400-0501	8
66	Solution Valve	40044	03-7297-0000	1
69	Water Supply Tank	40036	03-7290-0000	1
71	Hose	40059	02-7179-0000	1m
72	Tank Pad	40054	03-7304-0000	1
73	Pop Rivet	9975	02-4035-0000	2
74	Tank Bracket	40091	03-7312-0000	1
81	Bottom Cover Spacer-38	40166	03-7332-0000	3
82	EDU Bowl-38	40158	03-7328-0000	1
	EDU Bowl-48	9772	03-6962-0000	1
	EDU Bowl-61	40159	03-7329-0000	1
83	Circlip-External 1300/35mm	9672	02-4024-0000	1
84	Brush Spindle	9627	03-6944-0000	3
85	Bearing 6009-2RS	9645	02-4020-0000	2
86	Circlip-Internal 1300/75mm	9596	02-4380-0000	1
87	Plastic Insert	9721	02-4381-0000	3
88	Spacer	9640	03-6948-0000	3
89	Bearing 6003-2RS	9671	02-4023-0000	6
90	Circlip-Internal 1300/35mm	9463	02-4011-0000	3
91	Brush Pulley-38	40031	03-7288-0000	3
	Brush Pulley-48/61	40064	03-7307-0000	3
92	Brush Driving Pin	40026	03-7285-0000	6
93	M16 Nyloc Nut	28395	03-7220-0000	3
94	Motor Shaft Extension-38	40067	03-7309-0000	1
	Motor Shaft Extension-48	9634	03-6947-0000	1
95	M6 x6 Socket Set Grub Screw	9682	00-0606-0171	1
96	Round Ended Steel Key-38	8401	03-6901-0000	2
	Round Ended Steel Key-48/61	9401	03-6930-0000	2
98	Drive Pulley-See Chart			1
99	Washer 1 1/4"x3/4"x16 SWG	17549	02-4335-0000	5
101	M10x20 Hex Head Set Screw	9643	00-1020-0111	1
102	Bottom Cover Plate-38	8489	03-6907-0000	1
	Bottom Cover Plate-48	9490	03-6940-0000	1
	Bottom Cover Plate-61	20003	03-7037-0000	1

KEY	DESCRIPTION	CIMEX PART NO.	TRUVOX PART NO.	QTY
104	M5x12 C/sunk Pozi Screw	9674	00-0512-0033	12
105	Dust Seal	8535	03-6910-0000	3
106	No 12x1/2" Pozi Pan Head Screw	9817	02-4323-0000	18
107	Belt-See Chart			1
108	Spacer-38	40167	03-7333-0000	4
109	Headweight-38	8539	03-6911-0000	1
110	M8 Full Nut	29066	00-0800-0701	2
111	M8 Internal Shakeproof Washer	8582	00-0800-0521	2
112	Spigot Plate-38 (assembled to Item 175)			1
	Spigot Plate-48	40153	03-7324-0000	1
	Spigot Plate-61	40076	03-7310-0000	1
114	Bumper Rubber-38	8063	03-6898-0000	0.5m
	Bumper Rubber-48	8063	03-6898-0000	0.7m
	Bumper Rubber-61	6955	03-7835-0000	1.9m
115	M8 Washer	26137	00-0800-0501	4
116	Lift Handle	9648	03-6951-0000	1
118	Motor-38	12582	04-3487-0000	1
	Motor-48/61	12584	04-3489-0000	1
122	Washer 1"x3/8"x17 SWG	40128	02-4361-0000	4
125	M20 Cable Gland	99513	02-4385-0000	1
126	Hose Clip-7 1/2"	17711	02-4074-0000	1
127	Motor Shield Fixing	40121	03-7316-0000	2
128	Label	3627	03-7684-0000	1pr
129	No 10x1/2" Pan Head Screw	8131	02-4323-0000	2
133	Motor Hood-38	40035/1	03-7657-1000	1
	Motor Hood-48/61	40035/2	03-7657-0000	1
134	Decal	3628	03-7654-0000	1
135	Cyclone Decal	3629	03-7655-0000	1
136	Water Inlet-38	40092	03-7313-0000	1
	Water Inlet-61	9179	03-6920-0000	1
138	M3 Spring Washer	28762	00-0300-0513	2
139	M3x8 Pozi Pan Head Screw	28855	00-0308-0011	3
140	M10 Lock Nut	28104	00-1000-0711	4
141	Bottom Cover Spacer-48/61	9631	03-6946-0000	3
142	M10 Rivnut	8618	02-4379-0000	4
143	M5x25 Pan Head Screw BZP	9681	00-0525-0013	2
144	Bumper Clip-38/48	9378	03-6928-0000	2
145	M10x30 Hex Head Set Screw	9816	00-1030-0111	4
156	M4 Full Nut	9679	00-0400-0701	2
157	M4x25 Cheese Head Screw-48/61	9678	00-0425-0071	4
158	M4 Washer	26078	00-0400-0501	4
159	Water Feed Elbow	9179	03-6920-0000	2
165	Motor Mounting Plate-61	17766	03-6998-0000	1
160	Tubing	40059	02-4179-0000	0.038m
167	Spacer-48/61	40024	03-7284-0000	1
172	Hole Plug	40090	02-4181-0000	2
174	Spacer-38/48	9630	03-6945-0000	3
175	Bumper Shield-38	40157	03-7327-0000	1

KEY	DESCRIPTION	CIMEX PART NO.	TRUVOX PART NO.	QTY
	Bumper Shield-61	40042	03-7295-0000	1
181	Rotary Switch	40119	04-3626-0000	1
182	M4x20 Pozzi C/Sunk Screw	28862	00-0420-0031	4
184	Tinned Copper Earth Braid	8138	03-6899-0000	2
	<u>Parts not illustrated</u>			
	Self Adhesive Buffer Pad	40112	02-4187-0000	2
	Mounting Plate-61	40320	03-7361-0000	1
	Y connector-61	38429	02-4174-0000	1
	M4x10 Screw	26066	00-0410-0031	4
	M5x10 Pan Head Screw	9747	00-0510-0013	2
	Plasklip	9690	02-4028-0000	2
	Small Valve Rod-61	40323	03-7364-0000	2
	Water Valve Rod-61	40322	03-7363-0000	1
	Connecting Block-61	40321	03-7362-0000	1
	1/4"x1" Split Pin	99543	02-4260-0000	2
	Steel Key-61	9402	03-6931-0000	1
	M5 Spring Washer	28764	00-0500-0511	4
	M5 Internal Shakeproof Washer	26079	00-0500-0521	3
	M5 Full Nut	21284	00-0500-0701	3
	M5 Brass Locknut	9664	none	2
	M5 Brass Flat Washer	9727	02-4382-0000	4
	M5x20 Pan Head Screw	9667	00-0520-0011	1
	Earth Label	8444	02-3984-0000	1
	M5x10 Pan Head Screw	9680	00-0510-0011	2
	P Clip	40368	02-4219-0000	1
	M3 Spring Washer	28762	00-0300-0513	2
	M10 Full Nut	28079	00-1000-0703	4
	M3 Internal Shakeproof Washer	26478	00-0300-0521	2
	M6x10 Hex Head Set Screw	28757	00-0610-0111	6
	M5 Washer	26076	00-0500-0501	1
	M10x35 Cap Head Screw	40238	00-1035-0103	4
	<u>Motor Capacitors</u>			
	12582 Motor		04-3487-0000	
	Single Cap	12643	04-3508-0000	
	12584 Motor		04-3489-0000	
	Start	12644	04-3509-0000	
	Run	12645	04-3510-0000	

CHART FOR PART #98 & #107 BELT (ON PARTS BREAKDOWN PAGE 17)

<i>Machine</i>	<i>Supply Hz</i>	<i>Brush Speed</i>	<i>Steel Pulley</i>	<i>Belt Size</i>	<i>Belt #</i>
CR38	50	620	8497	1156x13	40136
	60	620	40130	1139x13	40143
CRS38	50	415	8631	1136x13	40137
	60	500	8631	1136x13	40137
CR48	50	400	9371	1467x25	40138
	60	400	9722	1453x25	40144
CRH48	50	800	9757	1395x30	40139
	60	800	9758	1370x30	40140
CR61	50	400	9371	1619x30	40141
	60	400	40131	1609x30	40145
CRH61	50	712	40133	1580x30	20204
	60	712	40132	1565x30	40146